

DMX RGBW 3 Zone Controller - Installation Instructions

Models DMX-3Z-RGBW



7777 N. Merrimac Ave
Niles, IL 60714
T 224.333.6033
F 224.757.7557
info@luminii.com
www.luminii.com

Please read all instructions prior to installation and keep for future reference!

1. Product to be installed by a qualified electrician.
2. Prior to installation ensure power is off at fuse box to prevent electrical shock.

Page 1 of 3

1

120 - 240VAC wires

junction box

controller power supply

Note: All wires must be present in junction box (supplied by contractor) to connect controller properly.

1.1 Connect the white (neutral) & black (hot) power supply wires to the white & black power wires (120 - 240VAC).

2

controller face

controller housing

tab

2.1 Carefully insert a flat screw driver into the controller housing tab and slightly pull up until controller face comes off.

3

junction box

controller housing

controller screw

terminal connection close up

3.1 Loosen the screws on the back of the controller housing and make all the proper wiring and then re-tighten screws. Refer to the wiring diagram on page 2 for additional information.

4

junction box

controller housing

screw

4.1 Align the controller housing to the junction box and secure using the two screws.

5

controller housing pins

controller face

5.1 Align the back of the controller face to the controller housing pins and snap in to secure.

DMX RGBW 3 Zone Controller - Installation Instructions

Models DMX-3Z-RGBW



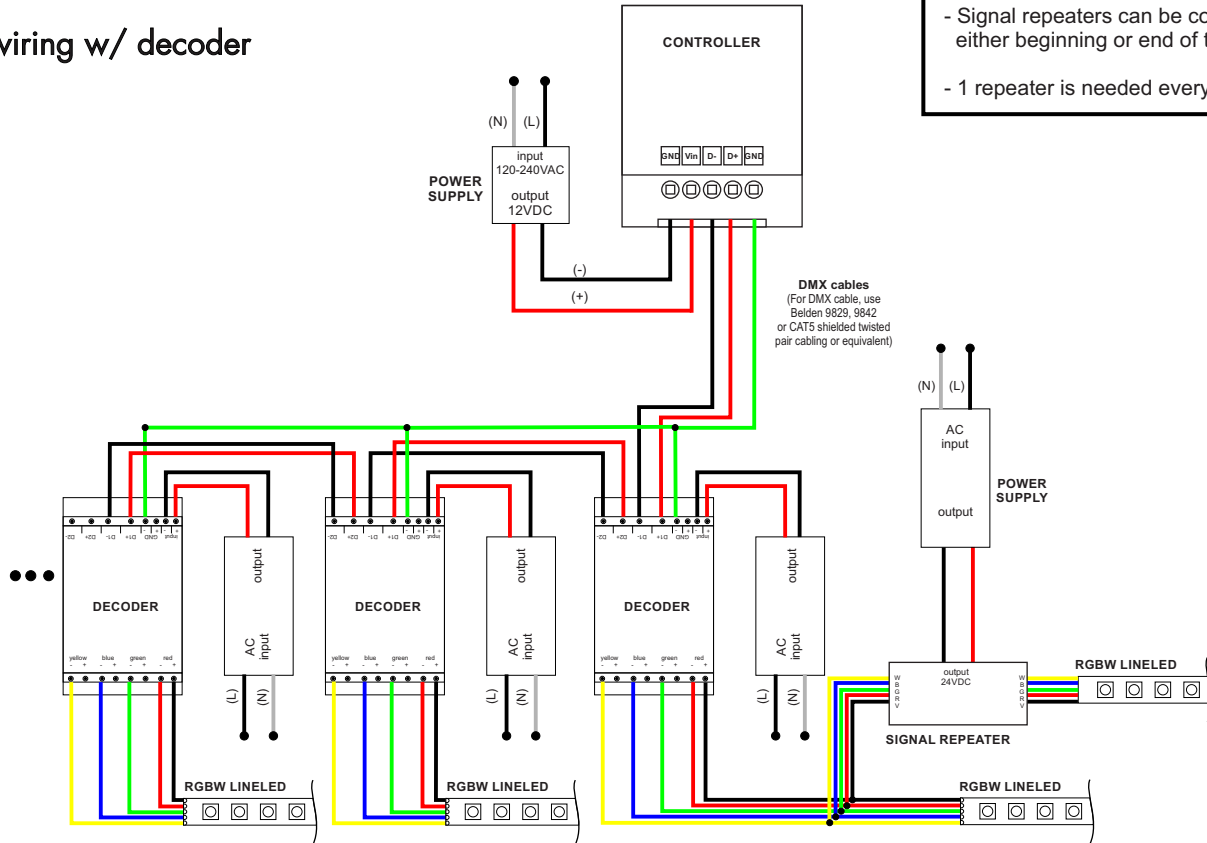
7777 N. Merrimac Ave
Niles, IL 60714
T 224.333.6033
F 224.757.7557
info@luminii.com
www.luminii.com

Please read all instructions prior to installation and keep for future reference!

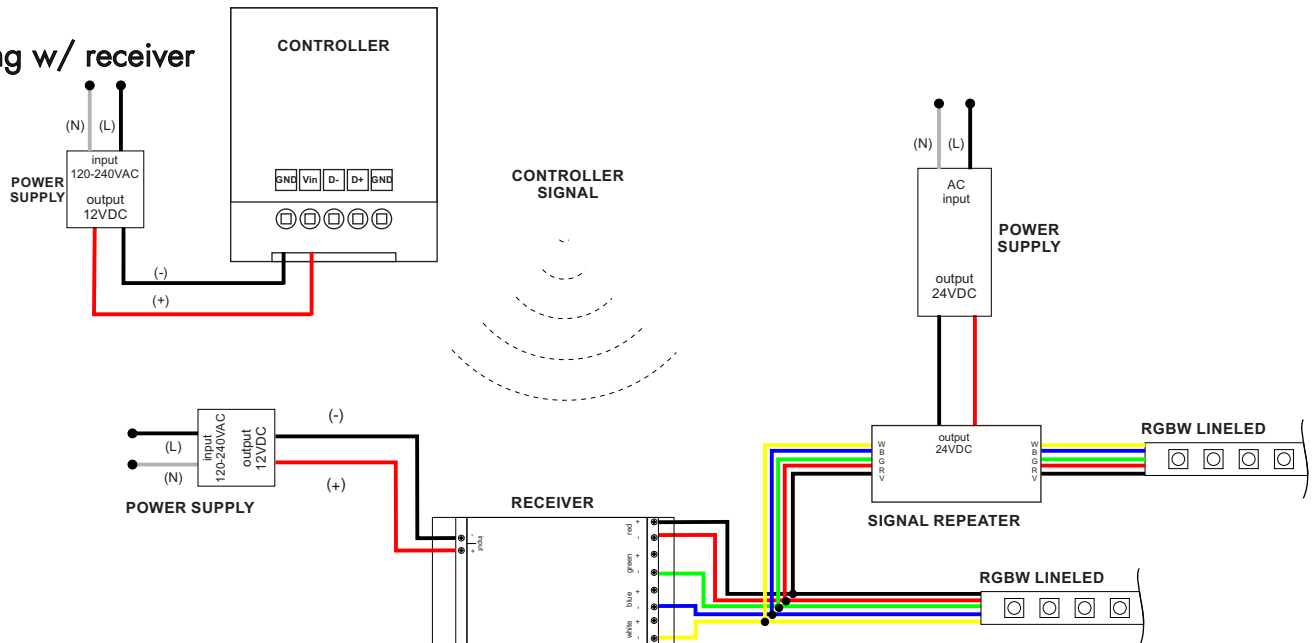
1. Product to be installed by a qualified electrician.
2. Prior to installation ensure power is off at fuse box to prevent electrical shock.

Page 2 of 3

wiring w/ decoder



wiring w/ receiver



DMX RGBW 3 Zone Controller - Installation Instructions

Models DMX-3Z-RGBW



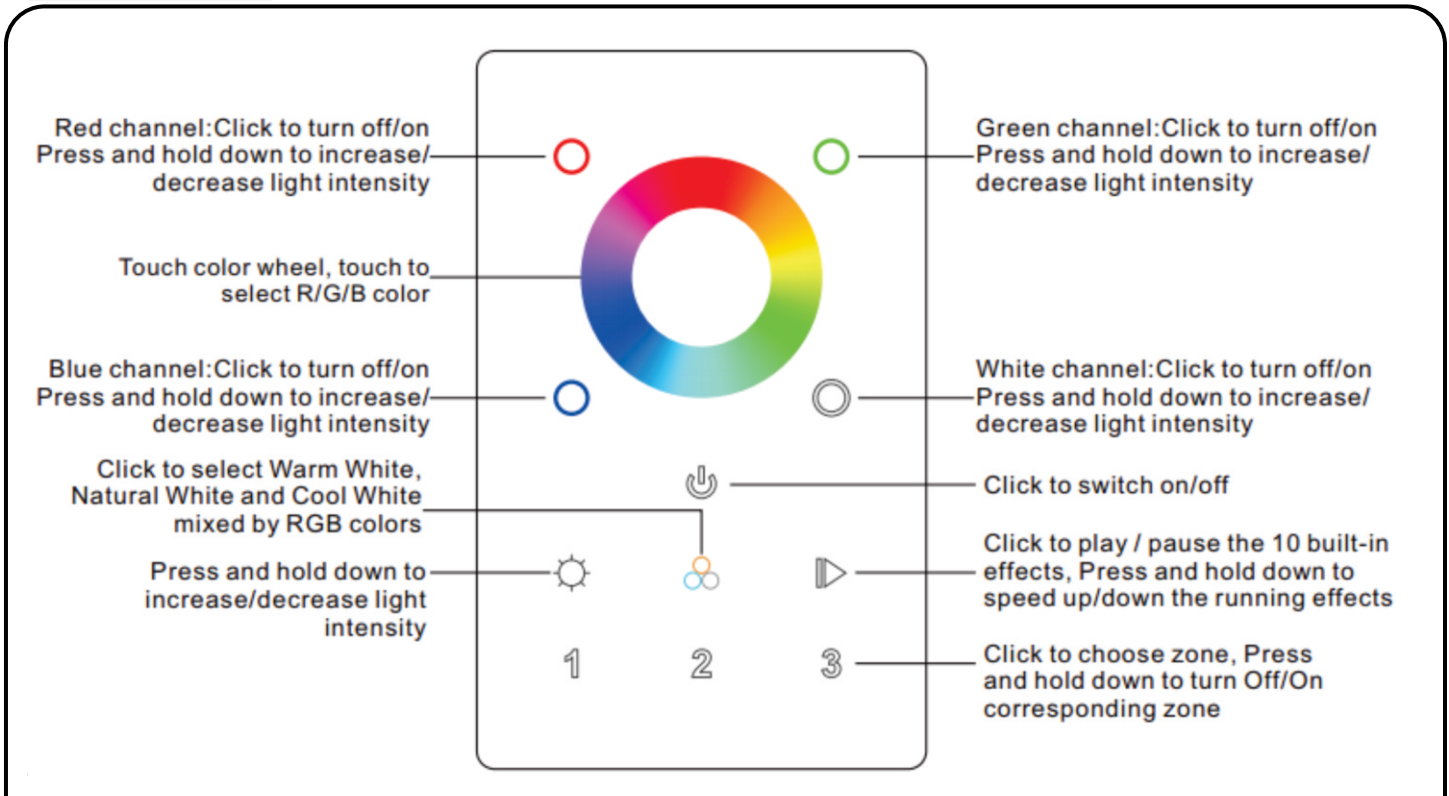
7777 N. Merrimac Ave
Niles, IL 60714
T 224.333.6033
F 224.757.7557
info@luminii.com
www.luminii.com

Please read all instructions prior to installation and keep for future reference!

1. Product to be installed by a qualified electrician.
2. Prior to installation ensure power is off at fuse box to prevent electrical shock.

Page 3 of 3

Controller Buttons



Follow either Receiver (1A) or DMX decoder (1B) steps to continue.

1A. Syncing the controller to receiver

- a. press the ON/OFF button.
- b. press the learning button on receiver
- c. then touch color wheel.
- d. connected LED light will blink to confirm zone designation
- e. to delete modes: press the learning button on receiver for over 5 seconds until the LED light flashes.

2A. How to save color or mode

S1, S2, S3 buttons can save a color from a mode, or it can save a color that you selected from the color wheel.

The S1, S2, S3 button, includes three default RGB colors. To replace these RGB color, press the color running button. Select a new color, than select one of the S1, S2, S3 button and hold for 3 seconds until the light flashes. Then it saves successfully.

1B. -How to Set DMX Address ?

- Can control 3 zones separately or Synchronously
- Each Zone can control a DMX Decoders

All DMX Decoders In Zone 1 set as 001 In Zone 2 set as 005 In Zone 3 set as 009

Note: one DMX Decoder has 4 channels take 4 DMX Address, zone one take 001, 002, 003, 004: zone 2 take 005,006.007.008, zone 3 take 009. 010.011.012