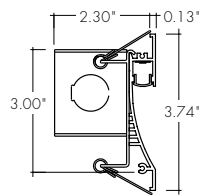
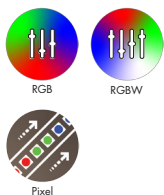




Features

- 24VDC Class 2 fixtures made to order up to 120".
- Approved for closet/storage space installation per NEC 410.16(A)(3) and 410.16(C)(5)
- Class two listed for damp locations.
- Proprietary strong bond solder method handles up to 50 lbs of pull force on wire leads and connectors.
- RGB options offer balanced output across the color gamut and a true white with RGBW
- Smart Pixel offerings allow for infinite color combinations with cascading and chasing effects
- 5 year warranty



Finish Options (see page 2 for additional information)

- Silver Anodized
- Black
- Bronze
- White
- Matte Black
- Warm Nickel
- Aged Brass
- Polished Gold
- Chrome



Technical Information

TYPE	RGBW		RGB		Pixel	
OUTPUT OPTIONS	RGBW36SO	RGBW36HO	RGB42SO	RGB42HO	RGBWX18SO	RGBX18SO
Lumens Output (all channels full on) <small>(with a Frosted Lens)</small>	137 lm/ft	227 lm/ft	136 lm/ft	200 lm/ft	166 lm/ft	109 lm/ft
Average Power Consumption <small>(for a 4' section)</small>	4 W/ft	7.6 W/ft	4.5 W/ft	8.3 W/ft	5.7 W/ft	4.5 W/ft
Efficacy	34 lm/W	30 lm/W	30 lm/W	24 lm/W	29 lm/W	24 lm/W
Max Run Length <small>(in series)</small>	26 ft	13 ft	28 ft	13 ft	20 ft	30 ft
Max Ambient Temperature*	50°C [122°F]				50°C [122°F]	
Control/Dimming Protocol	DMX				SPI Protocol UCS 2904	SPI Protocol UCS 2903

*Max Ambient Temperature to maintain L70 of 50k+ hours. Exceeding Max Ambient Temperature may result in decreased life/output. Consult Technical Support for specific inquiries.

RGBW (3000K)

Tape	TM-30		
	CRI	R _f	R _g
RGBW36	95	93	106
RGBWX18	93	91	99

Dominant Wavelength

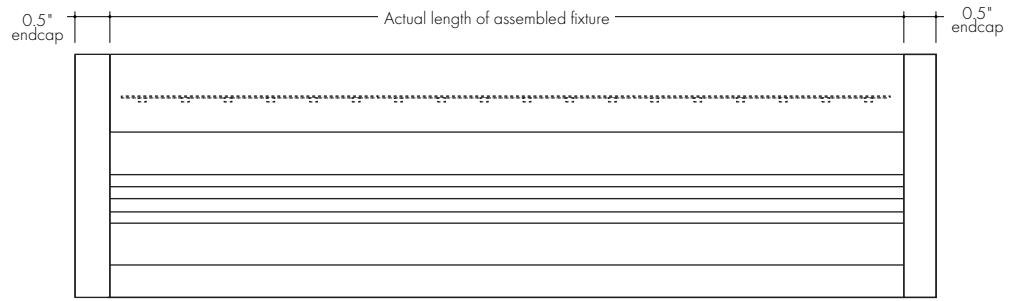
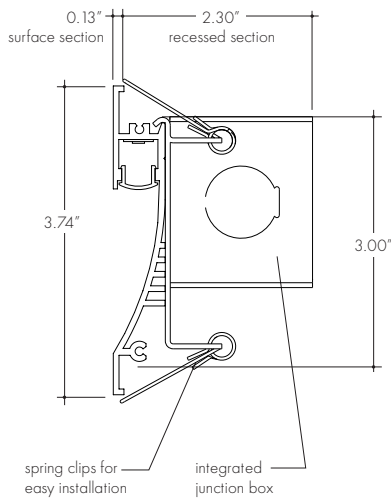
Color	RGB/RGBW
Red	620nm
Green	525nm
Blue	467nm

Ordering Code

MODEL	LENGTH ¹	OUTPUT	CCT	LENS	FINISH ²	LEFT END	RIGHT END
WP - Wall Plus	8"-120" 2" increments	RGBW36SO - Standard RGBW36HO - High RGB42SO - Standard RGB42HO - High	CLR - Color	F - Frosted	SA - Silver Anodized BK - Black BZ - Bronze WH - White MBK - Matte Black WN - Warm Nickel AB - Aged Brass PG - Polished Gold ³ CH - Chrome ³	LE - With End Cap LN - Without End Cap	RE - With End Cap RN - Without End Cap
	8"-120" 4" increments	RGBWX18SO - Standard RGBX18SO - Standard	PXSPI - Smart Pixel Control				

1 - Custom lengths and increments are available, please consult Inside Sales with specific request.
 2 - Non SA finishes may have extended lead times. Custom RALs are available, please consult Inside Sales with specific request.
 3 - Polished Gold finishes have a maximum fixture length of 48", and Chrome finishes have a maximum fixture length of 72".

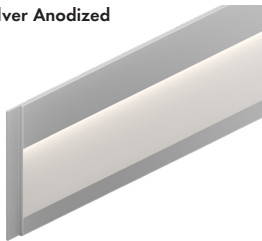
Product Dimensions



Finish Options

- Finish options are available in a wide variety, allowing for complete customization of style and aesthetic.
- Non Silver Anodized finishes may have extended lead times.
- Polished Gold finishes have a maximum fixture length of 48", and Chrome finishes have a maximum fixture length of 72".
- Custom RALs are available, please consult Inside Sales with specific request.

Silver Anodized



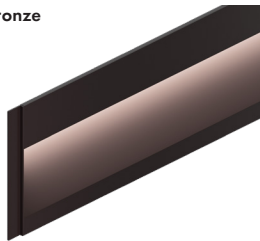
Silver Anodized is a soft silver with a clear finish.

Black



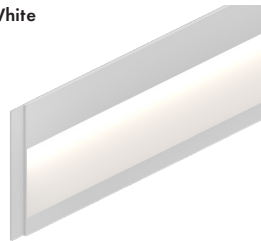
Black is a true deep black with a glossy finish.

Bronze



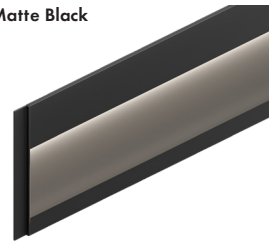
Bronze is a rich, dark brown with a satin finish.

White



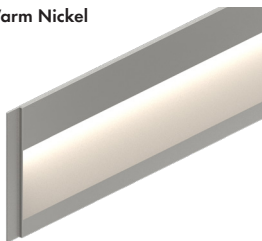
White is a polar bright white and field paintable.

Matte Black



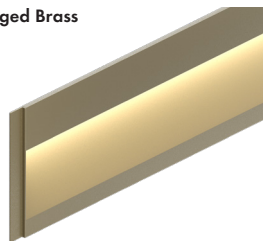
Matte Black is a dark, pitch-black with a soft flat finish.

Warm Nickel



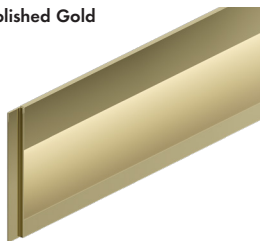
Warm Nickel is a soft, silvery smoke with warm tones and a satin finish.

Aged Brass



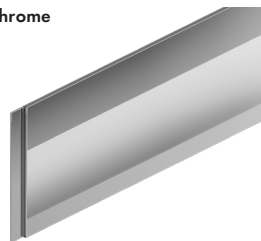
Aged Brass is a deep brown shade with slightly golden undertones.

Polished Gold



Polished Gold is bright and radiant for a brilliant finish.

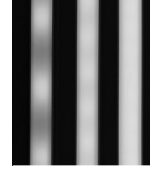
Chrome



Chrome is a highly reflective silver polish.

Light Transmission and Dotting

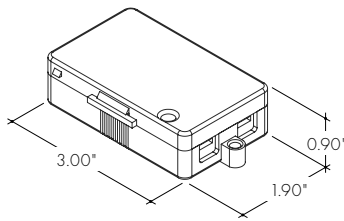
Output Options	Lens/Accessory
	Frosted Lens
RGBW36SO	CD
RGBW36HO	CD
RGB42SO	CD
RGB42HO	CD
RGBWX18SO	CD
RGBX18SO	CD
Transmission Percentage	100%



CD SD ND
 CD - Clear Dotting
 SD - Slight Dotting
 ND - No Dotting

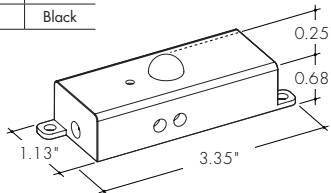
Accessory Options

LVSP-4T-BK
 Low Voltage, 4 Terminal Splice Box, Black



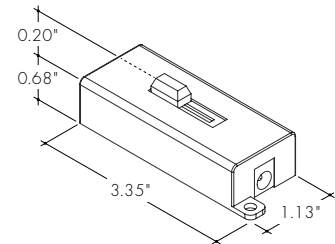
OS-DC-F4-XX
 Occupancy Sensor

XX	Color
WH	White
BK	Black



Available in Black or White. Male Quick Connect, FMA, LMC, LYC, or IS-DC are required for input and output.

DIM-DC-F4-BK
 24VDC Low Voltage In-line Dimmer Module



Male Quick Connect, FMA, LMC, LYC, or IS-DC are required for input and output.

Power Consumption

Tested at Full Power with PDC Series power supplies.

Standard Nominal Lengths offered provide minimal shadowing. For alternate lengths, please consult Inside Sales with specific request.

RGB/RGBW (RGB42/RGBW36)

Nominal Length (in)	Actual Length	Watts				Nominal Length (in)	Actual Length	Watts				Nominal Length (in)	Actual Length	Watts				Nominal Length (in)	Actual Length	Watts			
		RGBW36		RGB42				RGBW36		RGB42				RGBW36		RGB42				RGBW36		RGB42	
		SO	HO	SO	HO			SO	HO	SO	HO			SO	HO	SO	HO			SO	HO	SO	HO
8	6 13/16	1.9	3.4	2.2	4.0	43	42 3/16	13.1	25.0	15.2	28.5	78	77 10/16	24.8	47.2	28.2	51.4	113	-	-	-	-	
9	8 13/16	2.9	5.3	3.3	6.2	44	-	-	-	-	-	79	-	-	-	-	-	114	113 1/16	35.6	63.8	39.9	71.4
10	-	-	-	-	-	45	44 3/16	13.8	26.3	16.0	29.9	80	79 10/16	25.4	48.4	28.8	52.6	115	-	-	-	-	
11	9 13/16	3.5	6.6	4.1	7.7	46	-	-	-	-	-	81	-	-	-	-	-	116	115 1/16	36.3	65.0	40.6	72.3
12	10 11/16	4.0	7.3	4.4	8.6	47	46 2/16	14.4	27.5	16.8	31.3	82	81 9/16	26.1	49.6	29.4	53.8	117	-	-	-	-	
13	12 11/16	4.0	7.3	4.4	8.6	48	-	-	-	-	-	83	-	-	-	-	-	118	117	37.1	66.2	41.3	73.1
14	-	-	-	-	-	49	48 2/16	15.1	28.8	17.5	32.7	84	83 9/16	26.8	50.8	30.0	55.0	119	119	37.8	67.5	41.9	74.0
15	14 10/16	4.5	8.5	5.2	10.0	50	-	-	-	-	-	85	-	-	-	-	-	120	-	-	-	-	
16	-	-	-	-	-	51	50 1/16	15.8	30.0	18.3	34.0	86	85 8/16	27.4	51.9	30.7	56.2	-	-	-	-	-	
17	16 10/16	5.1	9.7	5.9	11.3	52	-	-	-	-	-	87	-	-	-	-	-	-	-	-	-	-	
18	-	-	-	-	-	53	52 1/16	16.4	31.2	18.9	35.1	88	87 8/16	28.0	52.9	31.4	57.3	-	-	-	-	-	
19	18 9/16	5.6	10.9	6.7	12.6	54	-	-	-	-	-	89	-	-	-	-	-	-	-	-	-	-	
20	-	-	-	-	-	55	54	17.0	32.4	19.6	36.3	90	89 7/16	28.6	53.8	32.2	58.4	-	-	-	-	-	
21	20 9/16	6.2	12.1	7.4	13.9	56	56	17.6	33.5	20.3	37.5	91	-	-	-	-	-	-	-	-	-	-	
22	-	-	-	-	-	57	-	-	-	-	-	92	91 7/16	29.2	54.8	32.9	59.5	-	-	-	-	-	
23	22 8/16	6.7	13.3	8.2	15.2	58	57 15/16	18.2	34.7	21.0	38.7	93	-	-	-	-	-	-	-	-	-	-	
24	-	-	-	-	-	59	-	-	-	-	-	94	93 6/16	29.9	55.8	33.6	60.5	-	-	-	-	-	
25	24 8/16	7.3	14.5	8.9	16.6	60	59 15/16	18.9	35.9	21.7	39.8	95	-	-	-	-	-	-	-	-	-	-	
26	-	-	-	-	-	61	-	-	-	-	-	96	95 6/16	30.2	56.3	34.0	61.1	-	-	-	-	-	
27	26 7/16	8.0	15.7	9.6	18.0	62	61 14/16	19.5	37.1	22.4	41.1	97	-	-	-	-	-	-	-	-	-	-	
28	-	-	-	-	-	63	-	-	-	-	-	98	97 5/16	30.8	57.2	34.7	62.2	-	-	-	-	-	
29	28 7/16	8.6	17.0	10.4	19.4	64	63 14/16	20.2	38.4	23.2	42.4	99	-	-	-	-	-	-	-	-	-	-	
30	-	-	-	-	-	65	-	-	-	-	-	100	99 5/16	31.3	57.9	35.4	63.4	-	-	-	-	-	
31	30 6/16	9.3	18.2	11.1	20.7	66	65 13/16	20.8	39.7	24.0	43.7	101	-	-	-	-	-	-	-	-	-	-	
32	-	-	-	-	-	67	-	-	-	-	-	102	101 4/16	31.9	58.6	36.0	64.7	-	-	-	-	-	
33	32 6/16	9.7	18.8	11.5	21.4	68	67 13/16	21.5	41.0	24.7	45.1	103	-	-	-	-	-	-	-	-	-	-	
34	-	-	-	-	-	69	-	-	-	-	-	104	103 4/16	32.4	59.3	36.7	65.9	-	-	-	-	-	
35	34 5/16	10.3	20.0	12.2	22.8	70	69 12/16	22.1	42.3	25.5	46.4	105	-	-	-	-	-	-	-	-	-	-	
36	-	-	-	-	-	71	-	-	-	-	-	106	105 3/16	32.9	60.0	37.3	67.2	-	-	-	-	-	
37	36 5/16	11.0	21.3	13.0	24.2	72	71 12/16	22.8	43.5	26.3	47.8	107	-	-	-	-	-	-	-	-	-	-	
38	-	-	-	-	-	73	-	-	-	-	-	108	107 3/16	33.5	60.7	38.0	68.4	-	-	-	-	-	
39	38 4/16	11.7	22.5	13.7	25.6	74	73 11/16	23.5	44.8	26.9	49.0	109	-	-	-	-	-	-	-	-	-	-	
40	-	-	-	-	-	75	-	-	-	-	-	110	109 2/16	34.0	61.4	38.6	69.7	-	-	-	-	-	
41	40 4/16	12.4	23.8	14.5	27.0	76	75 11/16	24.1	46.0	27.6	50.2	111	-	-	-	-	-	-	-	-	-	-	
42	-	-	-	-	-	77	-	-	-	-	-	112	111 2/16	34.8	62.6	39.3	70.5	-	-	-	-	-	

Power Consumption

Tested at Full Power with PDC Series power supplies.

Standard Nominal Lengths offered provide minimal shadowing. For alternate lengths, please consult Inside Sales with specific request.

PIXEL (RBGX18/RGBWX18)

Nominal Length (in)	Actual Length	Watts		Nominal Length (in)	Actual Length	Watts		Nominal Length (in)	Actual Length	Watts		Nominal Length (in)	Actual Length	Watts	
		RBGX18	RGBWX18			RBGX18	RGBWX18			RBGX18	RGBWX18			RBGX18	RGBWX18
		SO	SO			SO	SO			SO	SO			SO	SO
8	–	–	–	43	–	–	–	78	–	–	–	113	–	–	–
9	7 14/16	2.9	3.7	44	–	–	–	79	–	–	–	114	–	–	–
10	–	–	–	45	44 3/16	16.0	20.1	80	79 10/16	28.4	35.5	115	–	–	–
11	–	–	–	46	–	–	–	81	–	–	–	116	115 1/16	39.7	49.6
12	8 12/16	4.6	5.7	47	–	–	–	82	–	–	–	117	–	–	–
13	12 11/16	4.6	5.7	48	–	–	–	83	–	–	–	118	–	–	–
14	–	–	–	49	48 2/16	17.4	21.9	84	83 9/16	29.8	37.1	119	119	40.9	51.2
15	–	–	–	50	–	–	–	85	–	–	–	120	–	–	–
16	–	–	–	51	–	–	–	86	–	–	–				
17	16 10/16	6.1	7.5	52	–	–	–	87	–	–	–				
18	–	–	–	53	52 1/16	18.9	23.7	88	87 8/16	31.1	38.7				
19	–	–	–	54	–	–	–	89	–	–	–				
20	–	–	–	55	–	–	–	90	–	–	–				
21	20 9/16	7.6	9.4	56	56	20.3	25.4	91	–	–	–				
22	–	–	–	57	–	–	–	92	91 7/16	32.4	40.3				
23	–	–	–	58	–	–	–	93	–	–	–				
24	–	–	–	59	–	–	–	94	–	–	–				
25	24 8/16	9.1	11.3	60	59 15/16	21.7	27.1	95	–	–	–				
26	–	–	–	61	–	–	–	96	95 6/16	33.4	41.6				
27	–	–	–	62	–	–	–	97	–	–	–				
28	–	–	–	63	–	–	–	98	–	–	–				
29	28 7/16	10.6	13.2	64	63 14/16	23.0	28.8	99	–	–	–				
30	–	–	–	65	–	–	–	100	99 5/16	34.6	43.2				
31	–	–	–	66	–	–	–	101	–	–	–				
32	–	–	–	67	–	–	–	102	–	–	–				
33	32 6/16	11.7	14.6	68	67 13/16	24.4	30.5	103	–	–	–				
34	–	–	–	69	–	–	–	104	103 4/16	35.9	44.8				
35	–	–	–	70	–	–	–	105	–	–	–				
36	–	–	–	71	–	–	–	106	–	–	–				
37	36 5/16	13.1	16.5	72	71 12/16	25.8	32.3	107	–	–	–				
38	–	–	–	73	–	–	–	108	107 3/16	37.2	46.4				
39	–	–	–	74	–	–	–	109	–	–	–				
40	–	–	–	75	–	–	–	110	–	–	–				
41	40 4/16	14.6	18.3	76	75 11/16	27.1	33.9	111	–	–	–				
42	–	–	–	77	–	–	–	112	111 2/16	38.4	48.0				

Voltage Drop Calculator

The below chart assumes nominal voltage of 24 Volts and a Voltage Drop Allowance of 3% through the wire

Wattage [W]	Maximum Wire Length From Power Supply to Start of Run [ft]						
	12 AWG	14 AWG	16 AWG	18 AWG	20 AWG	22 AWG	24 AWG
5	1088.2	684.4	430.3	270.6	170.2	107.1	67.3
10	544.1	342.2	215.1	135.3	85.1	53.5	33.7
15	362.7	228.1	143.4	90.2	56.7	35.7	22.4
20	272.0	171.1	107.6	67.7	42.6	26.8	16.8
25	217.6	136.9	86.1	54.1	34.0	21.4	13.5
30	181.4	114.1	71.7	45.1	28.4	17.8	11.2
35	155.5	97.8	61.5	38.7	24.3	15.3	9.6
40	136.0	85.5	53.8	33.8	21.3	13.4	8.4
45	120.9	76.0	47.8	30.1	18.9	11.9	7.5
50	108.8	68.4	43.0	27.1	17.0	10.7	6.7
55	98.9	62.2	39.1	24.6	15.5	9.7	6.1
60	90.7	57.0	35.9	22.6	14.2	8.9	5.6
65	83.7	52.6	33.1	20.8	13.1	8.2	5.2
70	77.7	48.9	30.7	19.3	12.2	7.6	4.8
75	72.5	45.6	28.7	18.0	11.3	7.1	4.5
80	68.0	42.8	26.9	16.9	10.6	6.7	4.2
85	64.0	40.3	25.3	15.9	10.0	6.3	4.0
90	60.5	38.0	23.9	15.0	9.5	5.9	3.7
96	56.7	35.6	22.4	14.1	8.9	5.6	3.5

Power Supplies

See fixture and power supply instructions & spec sheet for wiring information. Dimming possible in select models - view Luminii website for list of compatible dimmers.

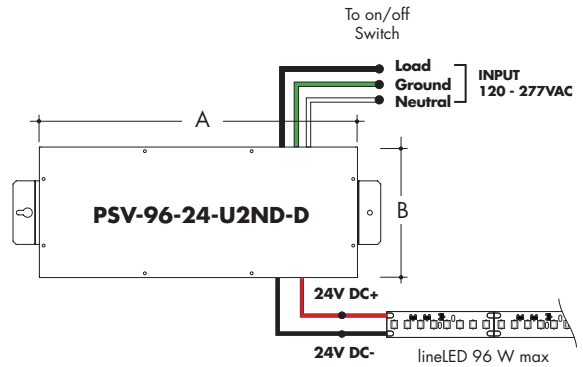
For use with RGB/RGBW/Pixel, RGB42/RGBW36/RGBX18/RGBWX18

Non-Dimming Power Supply 120VAC - 277VAC

MODEL	POWER	OUTPUT	DIMMING	LOCATION
PSV - PSV Series	96 - 96 Watt	24 - 24 VDC	U2ND - Non Dimming	D - Dry location

Requires a controller and a decoder to work properly

MODELS	96W
A Length	14.40"
B Width	5.20"
Depth	2.60"



For use with RGB/RGBW, RGB42/RGBW36 or with Dynamic White, DW68

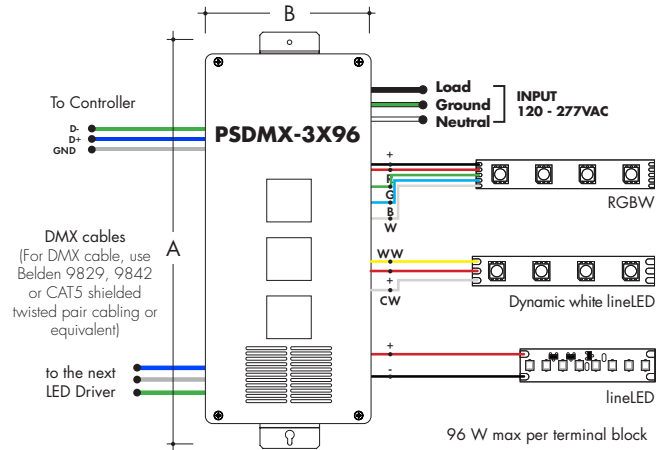
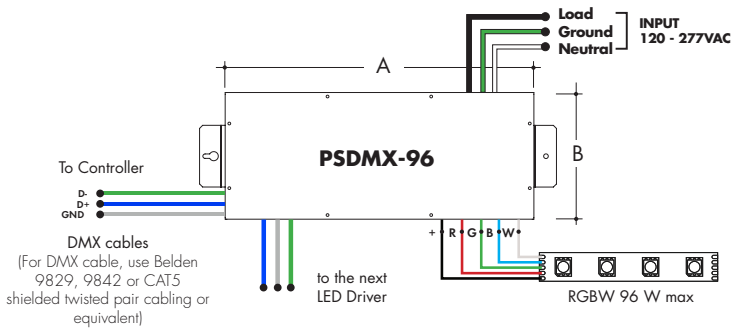
DMX 0% Dimming Power Supplies 120VAC - 277VAC

MODEL	POWER	OUTPUT
PSDMX-DMX Power Supply dims down to 0%	96 - 96 Watt 3X96 - 3 X 96 Watt	24 - 24 VDC

Features eldoLED's LINEARdrive configurable dimmable drivers.

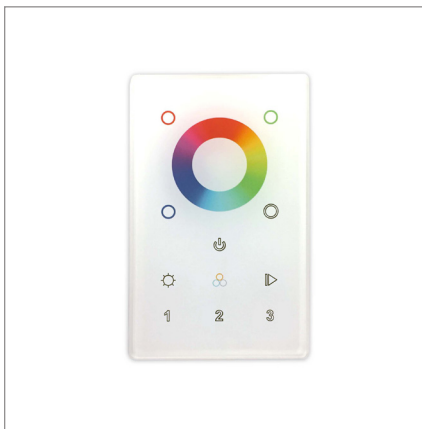
DDMX-RGBW DMX Decoder not required when purchasing this power supply.

MODELS	96W	3X96
A Length	14.40"	15.75"
B Width	5.20"	6.62"
Depth	2.60"	4.95"



DMX-1Z-RGBW, DMX-3Z-RGBW

RGBW LED 1 or 3 Zone Controller



DMX /Wireless RGB-W wall-mount controller controls DMX lighting fixtures, wireless control of RGB-W lighting fixture or use both simultaneously. Fits in any standard US switch box. Includes all the outputs in the back of the controller.

Control brightness levels with a single touch, personalize and memorize 3 different scenes, and even create 3 variations of white.

Features

- 2 in 1 in-Wall Controller: DMX Control or Wireless RGB-W
- 65,000 Color Options, Dimming and Speed Control
- Memory Function
- 50 Foot Wireless Range
- Easily Fits Standard US Switch Boxes
- Touch Sensitive Glass Surface
- Includes 10 Built in Programs, or Create and Play Your Own

Operating Voltage

12 - 24V DC

Color Parameters

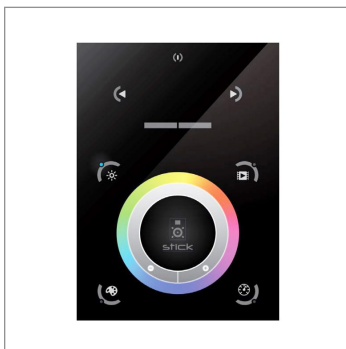
- Brightness
- Saturation
- Primary colors
- Fading
- Color changing speed

ORDERING CODE

MODEL	ZONES	COLOR
DMX - DMX Controller	3Z - Three Zone 1Z - One Zone	RGBW - Red, Green, Blue, & White

Touch DMX Controller

Touchscreen digital LED controller



Programmable advanced DMX512 lighting controller featuring a touch-screen interface. Operates as stand alone controller or integrated with most architectural lighting control systems. Can controller endless DMX512 enabled devices.

Mounts to standard single or dual gang wall box with the included power supply inside the junction box. Terminal block design for power and data connections.

Features

- Sleek glass design which sits 0.43" from the wall
- Graphical color display to show selected environment
- Color/dimmer/speed palette
- Color temperature mixing
- Touch sensitive buttons. No mechanical parts
- Touch sensitive wheel allows for accurate color selection
- Multi-zone microSD memory
- Multi-room control with 500 scenes, 10 zones
- 1024 DMX channels. Control 340 RGB fixtures
- USB & Ethernet connectivity for programming and control

Power Supply

7 VDC (included)

Programmability

PC, Mac, Tablet, Smartphone

Output Signal

DMX512 (1024 channels)

Color Parameters

- Brightness
- Saturation
- Speed of color changing sequence
- Fading / dimming / brightness

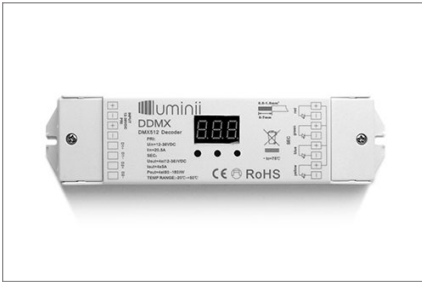
MODEL

TSDMX-E

TSDMX-E - Touchscreen DMX controller

DMX Decoder

DMX signal to RGBW decoder (required to operate DMX controller)



Translates controller DMX512 programs for RGB and white LED strips.

Unique DMX address for the decoder can be set easily and displayed by the numeric display on the case. Changing and resetting the DMX address requires manual input.

Use power repeater to expand output.

Operating Voltage

12-36 VDC

Operating Temperature Range

from -4°F to +122°F in case

Power Capacity

up to 96W at 24V

ORDERING CODE

MODEL

DDMX-RGBW

DDMX-RGBW - DMX decoder

Smart Pixel Decoder

SPI signal to DMX signal decoder



The SR-DMX-SPI is a smart LED pixel decoder that controls RGB/RGBW pixel LED strips with SPI signal. Designed with an OLED backlit panel, the pixel controller allows for easy configuration of most settings. Four push buttons are available for control of the LED functions.

*For pixel only.

Features

- 2 in 1 in-Wall Controller: DMX Control or Wireless RGB-W
- SPI signal output for RGB/RGBW pixel light control
- DMX512 controllable and RF/WIFI remote controllable
- Capable of addressing up to 1020 RGB pixels & 765 RGB pixels
- OLED panel allows for easy configuration

Operating Voltage

12 - 36V DC

Power capacity

up to 96W at 24V

Operating temperature range

from -4°F to +122°F in case

Model

SR-DMX-SPI

SR-DMX-SPI - Smart Pixel Decoder