

VESTA 2 G

LINEAR STANDARD T-GRID LIGHTING



Vesta 2 G - The Vesta 2 G is a recessed LED system designed for suspended T-grid ceilings. Powerful LED (up to 1220lm/ft.) combined with a seamless, high-performance lens provide optimal lighting. The Vesta 2 G is available in two sizes (9/16" or 15/16"). Standard T-grid spacing comes in lengths of up to 12 feet per section, and the Vesta 2 G is also available for longer continuous runs or custom lengths.

Ordering Code



Product Specifications

SAMPLE : 359 - 90 - 8 - 35 - 25 - 02 - 06 - LUTES - 120 - 20

1 - Model	2 - CRI	3 - Length	4 - CCT	5 - Lens	6 - Finish	7 - Lumen
359 · Vesta 2 G (9/16")	90 · 90+	2 · 2'	27 · 2700K	25 · Frosted Symmetric	01 · White 02 · Black 08 · Silver XX · Custom	04 · 400 lm/ft (3.8 W)
360 · Vesta 2 G (15/16")		4 · 4'	30 · 3000K			35 · Asymmetric ^{*1}
		5 · 5'	35 · 3500K	08 · 843 lm/ft (9.4 W)		
		6 · 6'	40 · 4000K	10 · 1034 lm/ft (12 W)		
		8 · 8'		12 · 1220 lm/ft (15 W)		
		10 · 10'		00 · None		
		12 · 12'				
	XX · Custom					

8 - Driver	Dim Level	Dim Level	9 - Voltage	10 - LED Control
STD/LCS · 0 - 10 Volt dim option incl.	1%	LUT5S · 5 Series Eco System	5%	01 · Standard switching 20 · Emergency wiring 21 · Emergency Battery Back-Up (4 foot section)
ELDOLC · EldoLED 0 - 10 Volt	0.1%	DMX · Senso	120 · 120V	
DALI · Dali Protocol	0.1%	ODHS · Occupancy & Daylight Harvesting Sensor ^{*3/4}	277 · 277V	
LUTES · Hilume Ecodigital	1%	CSMB · Casambi Wireless Control	347 · 347V ^{*5}	
LUT2W · 2 Wire for phase ^{*2}	1%			

*1 Asymmetric Direct Lumen limited to **04/06/08** (wattages doubled)
 *2 120V only
 *3 See Vesta Sensor spec sheet for additional information
 *4 1 Sensor per 16'
 *5 Not available in Eldo, Lutron and DMX

Project : _____
 Quantity : _____
 Type : _____
 Notes : _____

VESTA 2 G

LINEAR STANDARD T-GRID LIGHTING

Light Engine

High Efficacy :	Up to 170 lumen/Watt
Color Options (CCT) :	2700K, 3000K, 3500K, 4000K
Color Consistency :	3-step MacAdam Ellipse
Color rendering (CRI) :	90+

Vesta 2 G features a high-output, high-efficacy light engine—without any compromise. Class-leading efficiency at over 100lm/W keeps running costs low, while 50,000-hour (LM-80) lumen maintenance guarantees a sustainable design. Color rendering options are available up to 90+ CRI, along with color consistency within a three-step MacAdam ellipse. Every Vesta undergoes a multi-step test and burn-in procedure before shipping, ensuring the superior level of quality Senso is known for.

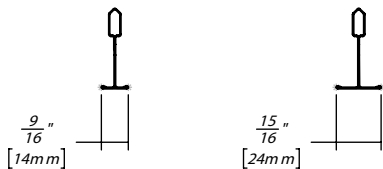
Dimming Option

Protocol :	0-10V DALI LUTRON
-------------------	-------------------------

Level : From 0.1% to 10%

The Vesta combines high output with limitless possibilities of control. Dimming down to 0.1% is also available in Lutron (120-277V) and Dali systems (120-277V).

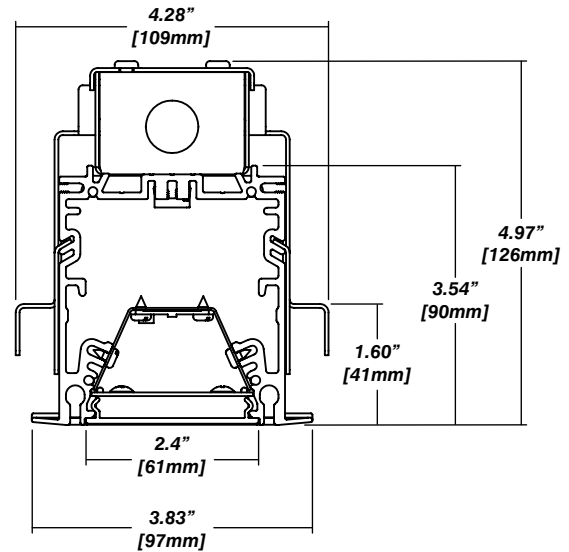
Compatible with 9/16" - 15/16" grid



Construction / Finish

- Powder coated in white, black or silver
- Custom finish are available
- Housing: Aluminum extrusion
- Made in Canada

Dimensions



Photometrics

Senso's in-house photometric testing ensures that our lighting design can match your needs precisely. Our Goniophotometer and testing lab produces on-demand photometry files based on any specified fixture, including LM-79 Test reports, IES Files, and CRI/CCT measurements. See Sensolighting.com for more information.

*Full photometric Reports and IES files available for every configuration

Zonal Lumen Summary

Zone	Lumens	%Fixt
0-20	528.37	15.50
0-30	1085.53	31.90
0-40	1709.34	50.30
0-60	2806.23	82.60
0-80	3352.15	98.60
0-90	3398.12	100.00
10-90	3258.52	95.90
20-40	1180.97	34.70
20-50	1777.92	52.30
40-70	1453.16	42.80
60-80	545.92	16.10
70-80	189.65	5.60
80-90	45.97	1.40
90-110	0.56	0.00
90-120	0.57	0.00
90-130	0.57	0.00
90-150	0.57	0.00
90-180	0.57	0.00
110-180	0.01	0.00
0-180	3398.69	100.00

Luminance DATA (cd/sq.m)

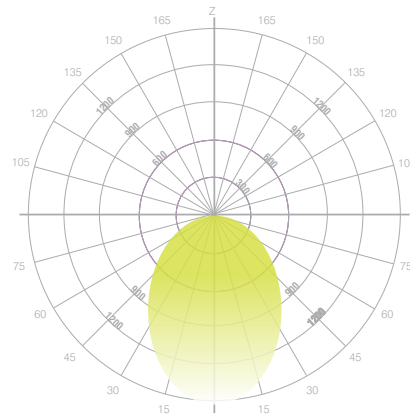
Angle in °	Average 0°	Average 45°	Average 90°
45	1633	17494	18653
55	14387	15594	16807
65	12589	13662	14754
75	10484	11188	11811
85	7096	6899	6301

IES Indoor Report Coefficients of utilization - zonal cavity method

Effective Floor Cavity Reflectance 0.20

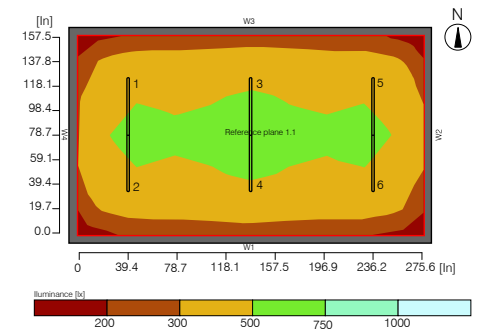
RC	80				70				50				30				10				0
RW	70	50	30	10	70	50	30	10	50	30	10	50	30	10	50	30	10	50	30	10	0
0	119	119	119	119	116	116	116	116	111	111	111	106	106	106	102	102	102	102	102	102	100
1	109	105	101	97	107	103	99	96	99	96	93	95	92	90	91	89	87	87	85	85	85
2	100	92	86	80	98	90	85	80	87	82	78	84	80	76	81	77	74	74	72	72	72
3	92	82	74	68	89	80	73	67	77	71	66	74	69	65	72	68	64	64	62	62	62
4	84	73	64	58	82	72	64	58	69	62	57	67	61	56	65	60	55	55	53	53	53
5	78	66	57	51	76	64	56	50	62	55	50	60	54	49	59	53	49	49	47	47	47
6	72	59	51	44	70	58	50	44	57	49	44	55	48	44	53	48	43	43	41	41	41
7	67	54	46	40	65	53	45	39	52	44	39	50	44	39	49	43	39	39	37	37	37
8	63	49	41	36	61	49	41	35	47	40	35	46	40	35	45	39	35	35	33	33	33
9	59	46	38	32	57	45	37	32	44	37	32	43	36	32	42	36	32	32	30	30	30
10	55	42	34	29	54	42	34	29	41	34	29	40	33	29	39	33	29	29	27	27	27

Vesta Light Distribution



- Fixture: Vesta 48" [121.92 cm]
- Total Lumen Output: 3399 lm
- Wattage: 45 W
- Lumen per Watt: 75

Vesta Performance Example



- Calculation algorithm used Average indirect fraction
- Height of luminaire plane 118.11" [3.00 m]
- Maintenance factor 31.5" [0.80 m]
- Total luminous flux of all lamps 20358 lm
- Total power 270.0 W
- Total power per area (28.00 m²) 9.64 W/m² (2.26 W/m²/100lx)

Color Metrics TM 30-15

Our clients deserve the best information possible about their lighting choices. That's why Senso has invested in the Illuminating Engineering Society (IES) TM 30-15, a new system that measures an LED light source's color rendering properties. Using Senso's state-of-the-art goniophotometer, this method identifies the optimal light source for your project and helps evaluate the trade-offs between efficacy and color rendering. Senso can provide TM 30-15 data for all of our products.

*Full Color Metric Info Available at Sensolighting.com