

Features

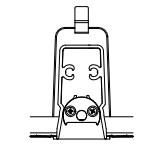
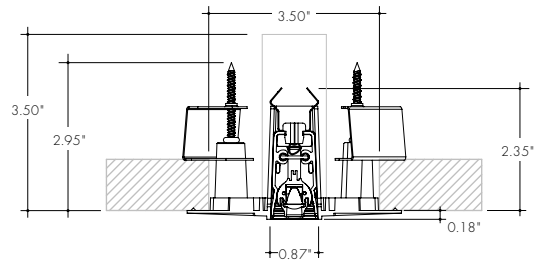
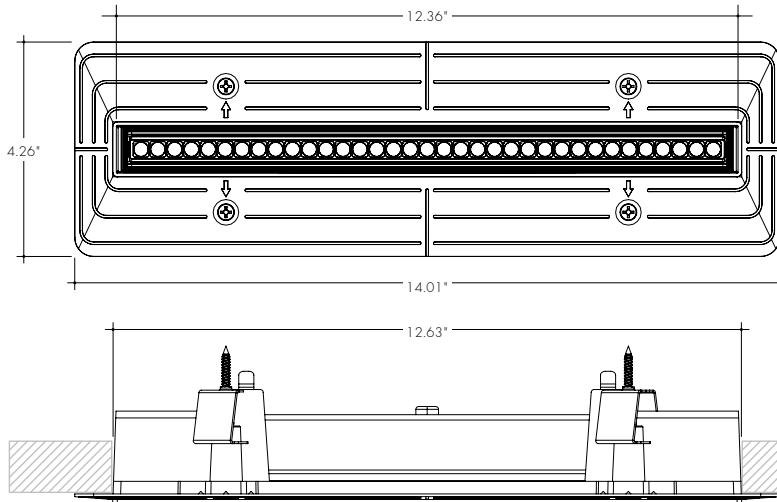
- Flawless beam quality from a unique micro-linear form factor
- Narrow 15° TIR native beam is aimable +/- 30°
- Louvers available for 15°, 30°, and 60° beams
- Snap-on optics available to easily adjust beam angle in the field
- For ceiling thicknesses from 0.5" up to 1.25"
- LED Module is field serviceable from below the ceiling.
- 24VDC Class 2
- Wet Rated
- Wall Wash optic provides even illumination starting from the top of the wall to the bottom
- Wall Wash recommended spacing is 2ft from the wall and 2ft on-center

Finish Options

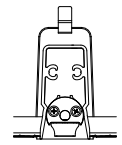
- Black Painted
- White Painted



Product Dimensions



Downlight without Louver



Downlight with Louver

Technical Information

OUTPUT	SO				
OPTIC	15	LV15	LV30	LV60	WW
Lumen Output (all channels full on)	1071 lm	665 lm	702 lm	548 lm	471 lm
Beam Spread (FWHM)	14°	14°	28°	58°	Asymmetric
Center Beam Intensity (CBCP)	6918 cd	6431 cd	2413 cd	654 cd	N/A
Power Consumption	13.5 W				
Efficacy	79 lm/W	49 lm/W	52 lm/W	41 lm/W	35 lm/W
Aesthetic	Regressed Baffle		Louver		Wall Wash Optic

CCT	TM-30			
	CRI	R _f	R _g	R ₉
1800K	93	93	99	83
3500K	95	92	100	74

Ordering Code | Directional Module

MODEL	LENGTH	CCT	OUTPUT	OPTIC	FINISH
SLD - Stenos Trimless Linear Downlight	12 - 12.36"	18K35K - 1800K to 3500K	DWSO - Standard ¹	15 - 15° Optic LV15 - 15° Louver ² LV30 - 30° Louver and Optic ² LV60 - 60° Louver and Optic ² WW - Wall Wash Optic LU - 15° Bullseye Louver ³ EL - 15°x 45° Elliptical Lens ⁴	BK - Black

1 - Standard Output fixture is IC rated and does not require a housing or pan.
2 - LV Louvers reduce glare while maintaining 90% of CBCP.
3 - LU Bullseye Louver reduces glare while maintaining 75% of CBCP. Use a 0.35 multiplier for lumen output. Only available in BK Black.
4 - Use a 0.8 multiplier for lumen output with EL Elliptical Lens. Only available in BK Black.

Ordering Code | Accessories

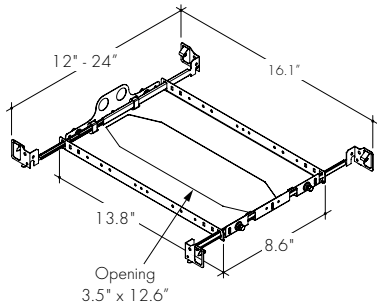
MODEL	ACCESSORY	LENGTH	FINISH
SAC - Stenos Accessory	LV15 - 15° Louver LV30 - 30° Louver and Optic LV60 - 60° Louver and Optic WW - Wall Wash Optic ¹ LU - 15° Bullseye Louver ¹ EL - 15°x 45° Elliptical Lens ¹	12 - 12.36"	BK - Black WH - White

1 - Wall Wash Optic, LU Bullseye Louver, and EL Elliptical Lens only available in BK Black.

Mounting Options (optional)

RMP-12-L-R

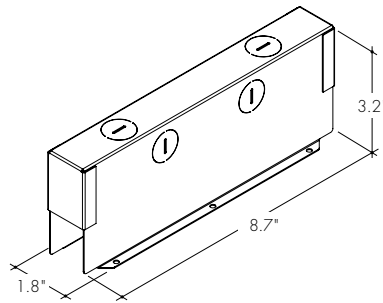
Recessed New Construction Mounting Pan, 12" Trimless Linear Downlight



Includes Hanger Bar set (PF-HB-ALL), extendable from 14" to 24". Knock-outs are Ø0.875".

JB-12L

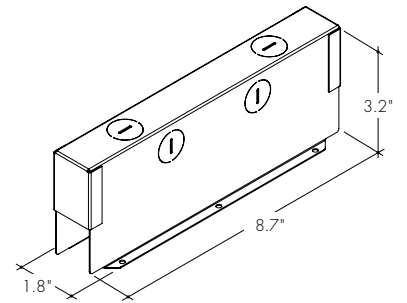
Junction Box 12" Trimless Linear Downlight



Junction box for wire termination and to create an Airtight enclosure.

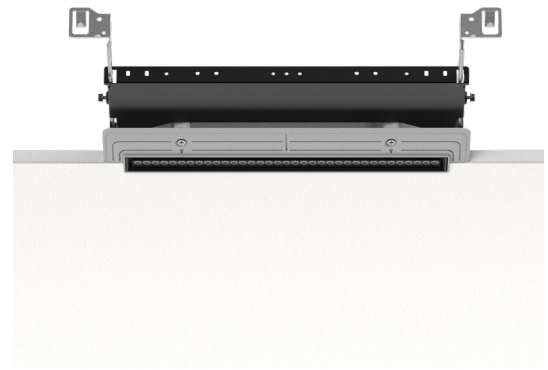
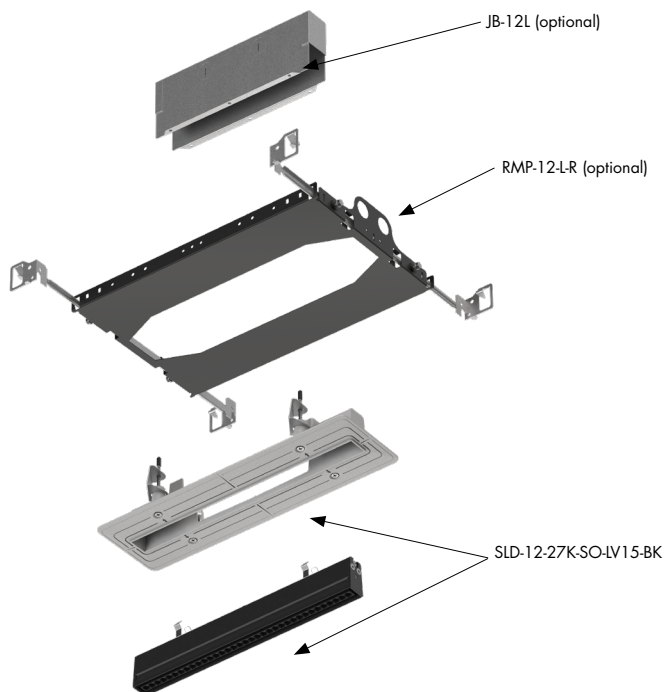
JB-12L-CP

Chicago Plenum Junction Box, 12" Trimless Linear Downlight



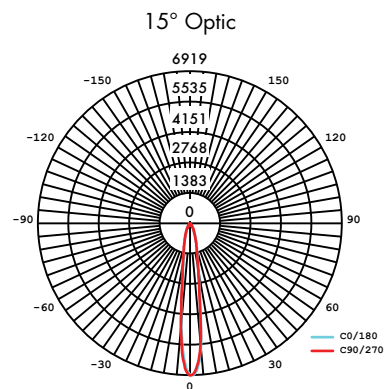
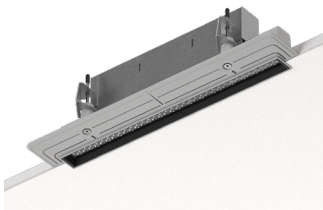
Junction box for wire termination and to create a Chicago Plenum rated enclosure.

Components

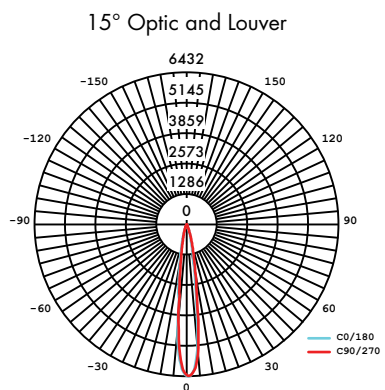
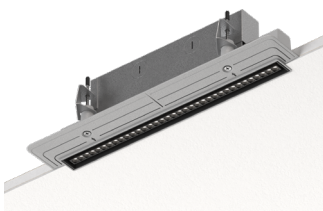


Photometry

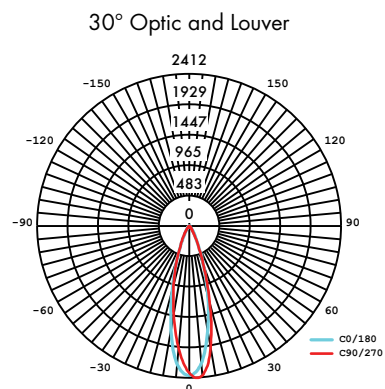
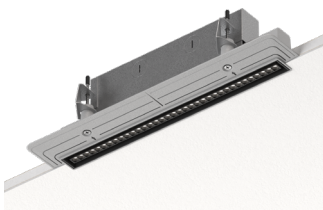
SLD-12-30K-SO-15-BK/WH



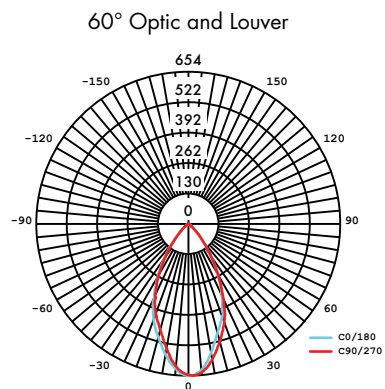
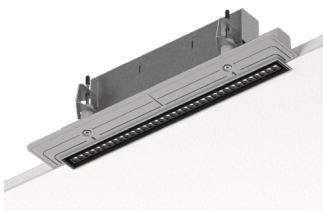
SLD-12-30K-SO-LV15-BK/WH



SLD-12-30K-SO-LV30-BK/WH

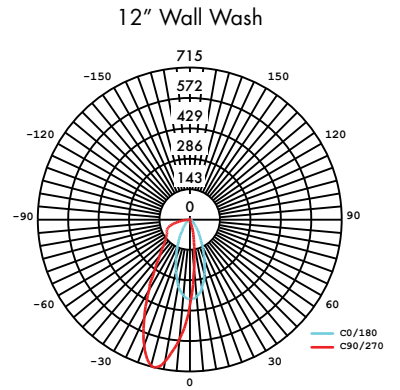
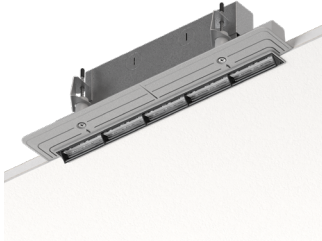


SLD-12-30K-SO-LV60-BK/WH

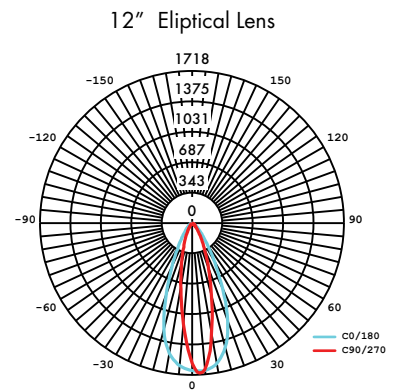
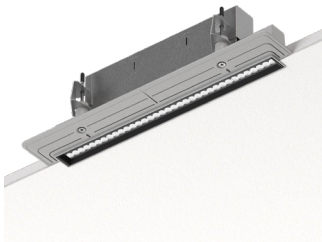


Photometry

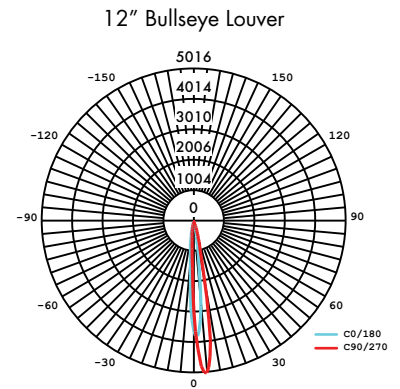
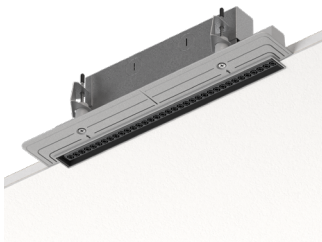
SLD-12-30K-SO-WW-BK/WH



SLD-12-30K-SO-EL-BK/WH



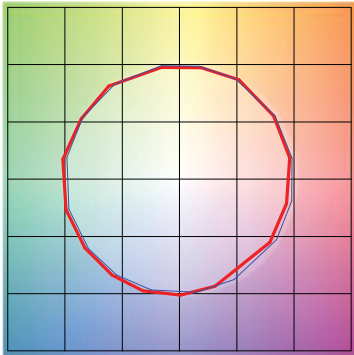
SLD-12-30K-SO-LU-BK/WH



TM-30-15-Data

18K CCT

Color Vector Graphic



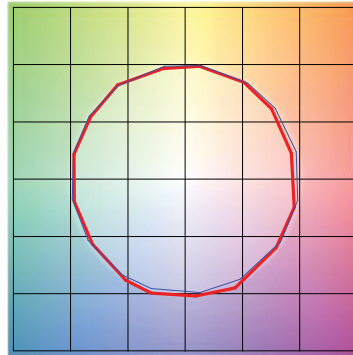
Test — (red line)
Reference — (blue line)

Graphic Shifts (%)

Hue Bin	Rf	Chroma	Hue
1	94.8	-1.8%	0.7%
2	95.7	-0.8%	0.8%
3	94.5	1.2%	-2.4%
4	95.9	-1.1%	-1.8%
5	95.7	-1.4%	0.3%
6	93	1.6%	5.0%
7	97.2	0.3%	1.6%
8	93.7	3.0%	2.2%
9	95.1	2.4%	0.0%
10	94.2	2.2%	-2.0%
11	93	2.3%	-3.4%
12	88.1	2.1%	-7.1%
13	83.2	-0.1%	-13.9%
14	83	-4.5%	-16.9%
15	90.6	-3.6%	-4.9%
16	90.9	-4.0%	-3.0%

35K CCT

Color Vector Graphic

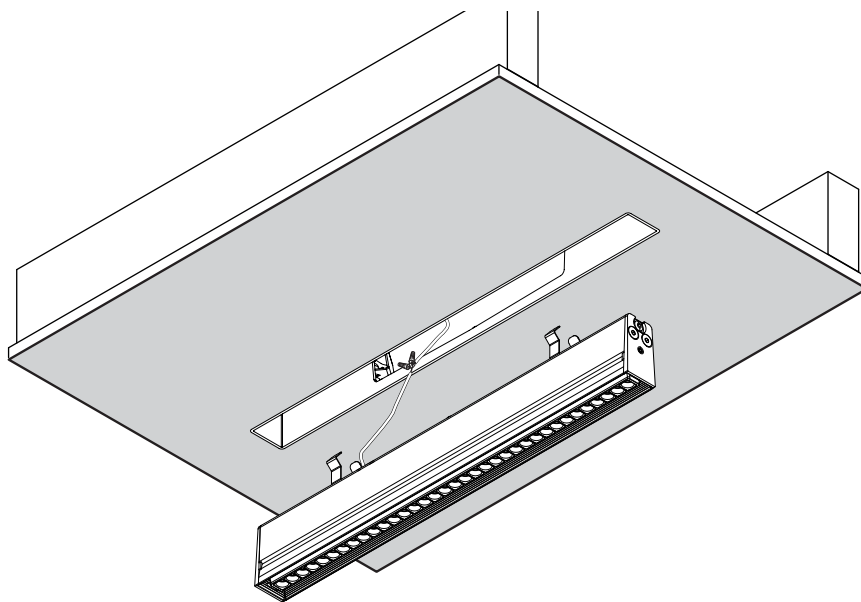


Test — (red line)
Reference — (blue line)

Graphic Shifts (%)

Hue Bin	Rf	Chroma	Hue
1	90.9	-4.5%	-0.4%
2	93.4	-2.7%	1.7%
3	92.4	-1.2%	3.2%
4	95.7	-0.9%	1.2%
5	94.8	-1.6%	1.4%
6	96.9	1.0%	0.4%
7	95.8	-1.5%	-0.3%
8	97.3	-0.6%	0.9%
9	94.9	-1.4%	2.5%
10	91.4	-1.3%	4.7%
11	89.2	2.3%	5.9%
12	90.0	4.0%	0.7%
13	92.5	2.2%	-4.2%
14	88.2	3.6%	-7.8%
15	89.0	-0.5%	-6.6%
16	87.4	-1.6%	-6.6%

Field Serviceability



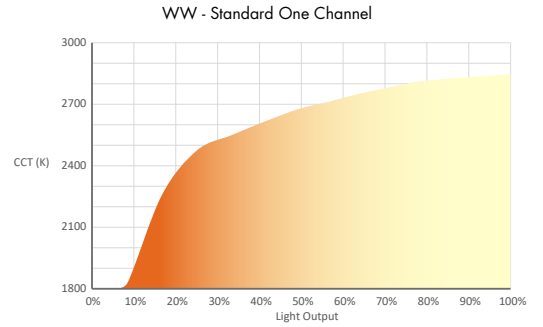
Power Supplies

See fixture and power supply instructions & spec sheet for wiring information. Dimming possible in select models - view Luminii website for list of compatible dimmers.

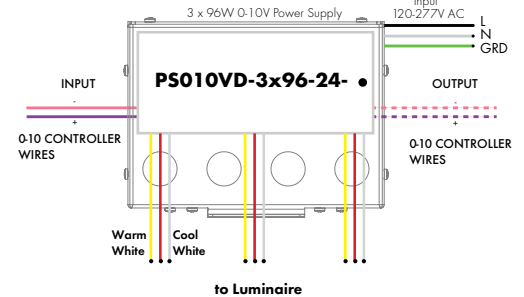
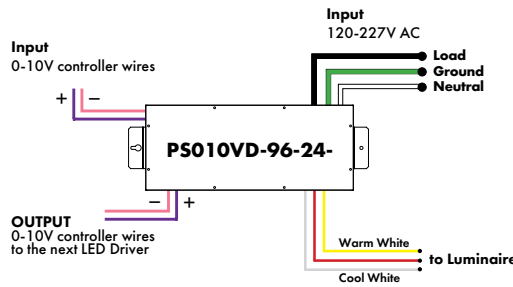
Customizable Dim to Warm or Variable White via 0 - 10V (for tunable white or warm dimming control of Dynamic option)

MODEL	POWER	OUTPUT	CONTROL
PS010VD-0-10V Vintage Dim LED Driver	96-96 Watt 3X96-3 X 96 Watt	24-24 VDC	WW- Standard One Channel - Dim To Warm Curve W2C- Standard Two Channel - Dim 1: Intensity; Dim 2: CCT *W2I- Standard Two Channel - Dim 1: Warm Channel Intensity; Dim 2: Cool Channel Intensity *W1X- Custom One Channel - Dim To Warm Curve *W2X- Custom two Channel - Dim 1: Intensity; Dim 2: CCT

Requires a 0-10V controller to work properly
*For 96 only, not an option for 3X96.



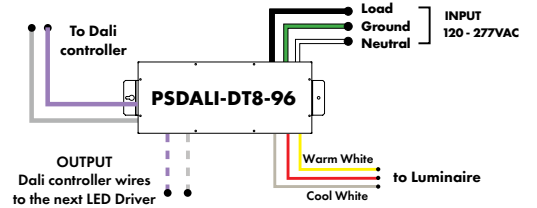
MODELS	96W	3X96
Length	14.40"	15.00"
Width	5.20"	6.61"
Depth	2.60"	4.56"



DALI DT8 LED Driver 120-277V

MODEL	POWER	OUTPUT
PSDALI-DT8-DALI-DT* LED Driver	96-96 Watt	24-24 VDC

MODELS	96W
Length	14.40"
Width	5.20"
Depth	2.60"



DMX 0% Dimming Power Supplies 120VAC - 277VAC

MODEL	POWER	OUTPUT
PSDMX-DMX Power Supply dims down to 0%	96 - 96 Watt 3X96 - 3 X 96 Watt	24-24 VDC

Features eldoLED's LINEARdrive configurable dimmable drivers.

MODELS	96W	3X96
Length	14.40"	15.75"
Width	5.20"	6.62"
Depth	2.60"	4.95"

