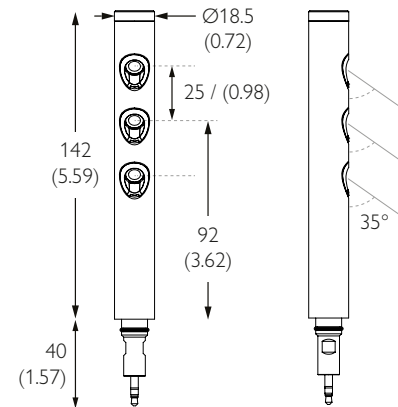
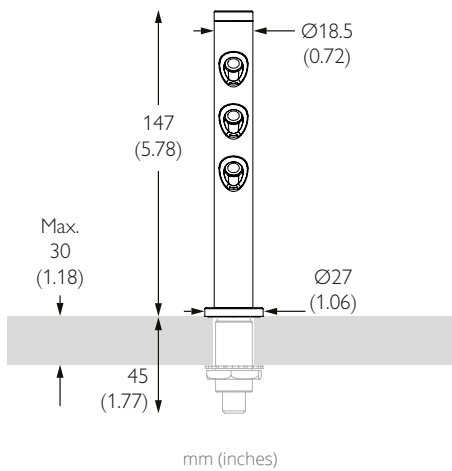


NARROW



TECHNICAL DESCRIPTION

Stacko Tilt Fixed End is a Constant Current miniature display lighting product. It has four beam distributions and is a part of the modular Stacko Collection allowing users to 'stack' products together to create unique lighting set-ups that comes as standard in white, black and brushed aluminium. There are 3 light engines totalling 306lm | 3.36W. Each narrow beam in our 102lm light engine has a peak intensity of 794cd. This 'End' module closes the circuit and does not accept further modules. There can only be a maximum of 10 light engines per Stacko circuit or driver. The luminaire is compatible with our Minipoint system that enables a plug and play setup where luminaires can be swapped to suit changing lighting requirements.

MECHANICAL & ELECTRICAL

|  |                                     |
|--|-------------------------------------|
| <b>CATEGORY</b> IP20                                 | <b>WATTAGE</b> 3.36W                |
| <b>MATERIAL</b> Machined AL 6063-T6   Machined Brass | <b>FORWARD VOLTAGE</b> 9.6V         |
| <b>PAN</b> 360°                                      | <b>DRIVE CURRENT</b> 350mA          |
| <b>TILT</b> N/A                                      | <b>SUPPLY TYPE</b> Constant Current |
| <b>LOCKABLE</b> N/A                                  | <b>DRIVER LOCATION</b> Remote       |
| <b>WEIGHT</b> 88g   0.19lb                           | <b>DIMMING</b> DALI   0-10V   1-10V |

MOUNTING

|   |                                       |
|---|---------------------------------------|
| <b>MOUNTING</b> Minipoints                | <b>CUTOUT</b> ø18mm (0.71") minipoint |
| <b>CEILING THICKNESS</b> 30mm (1.18") max | <b>MIN CEILING VOID</b> N/A           |

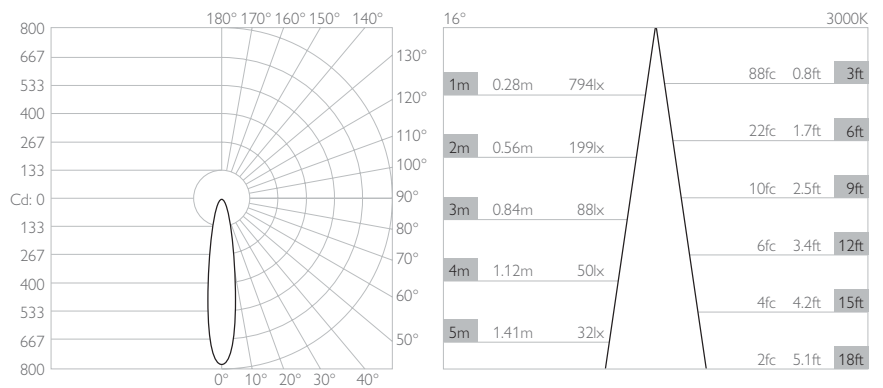
FINISHES

**FINISHES** Brushed Aluminium | White RAL9010 | Matte Black Anodised | Rubbed Bronze\* | Polished Brass\* | Brushed Brass\* | Polished Nickel\*  
\*Premium & custom finishes are built & finished to order. These are subject to an extended lead time & MOQ.

OPTICAL & STANDARDS

|   |                            |
|---|----------------------------|
| <b>TOTAL NOMINAL LUMENS</b> 306lm         | <b>BEAM ANGLE</b> 16°      |
| <b>TOTAL DELIVERED LUMENS</b> 282lm       | <b>CRI</b> 95 TYP          |
| <b>LIGHT ENGINE DELIVERED LUMENS</b> 94lm | <b>TM-30</b> RF: 93 RG: 99 |
| <b>LIGHT ENGINES</b> 3                    | <b>WARRANTY</b> 5 Years    |
| <b>COLOUR TEMPERATURE</b> 2700K   3000K   | <b>STANDARDS</b>           |
| <b>ACCESSORY HOLDER</b> N/A               |                            |
| <b>ACCESSORIES</b> N/A                    |                            |

Photometry shown is for 3000K module. Please enquire for other CCT photometry. L90 50,000 hours.



LUMINAIRE FINISH

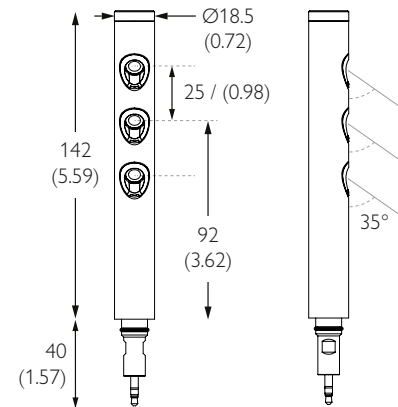
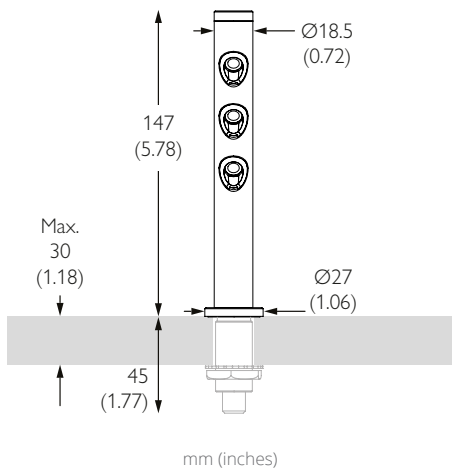
|                   | White 9010       | Matt Anodised Black | Brushed Aluminium | Rubbed Bronze*   | Polished Brass*  | Brushed Brass*   |
|-------------------|------------------|---------------------|-------------------|------------------|------------------|------------------|
| Without Minipoint | 1003-E-WH-XX9516 | 1003-E-EBA-XX9516   | 1003-E-AL-XX9516  | 1003-E-RB-XX9516 | 1003-E-PB-XX9516 | 1003-E-SB-XX9516 |
| With Minipoint    |                  |                     |                   |                  |                  |                  |

\*All premium & custom finishes are built & finished to order. These are subject to an extended lead time & MOQ

For 3000K Substitute XX with 30

For 2700K Substitute XX with 27

MEDIUM



TECHNICAL DESCRIPTION

Stacko Tilt Fixed End is a Constant Current miniature display lighting product. It has four beam distributions and is a part of the modular Stacko Collection allowing users to 'stack' products together to create unique lighting set-ups that comes as standard in white, black and brushed aluminium. There are 3 light engines totalling 306lm | 3.36W. Each medium beam in our 102lm light engine has a peak intensity of 359cd. This 'End' module closes the circuit and does not accept further modules. There can only be a maximum of 10 light engines per Stacko circuit or driver. The luminaire is compatible with our Minipoint system that enables a plug and play setup where luminaires can be swapped to suit changing lighting requirements.

MECHANICAL & ELECTRICAL

|  |                                     |
|--|-------------------------------------|
| <b>CATEGORY</b> IP20                                 | <b>WATTAGE</b> 3.36W                |
| <b>MATERIAL</b> Machined AL 6063-T6   Machined Brass | <b>FORWARD VOLTAGE</b> 9.6V         |
| <b>PAN</b> 360°                                      | <b>DRIVE CURRENT</b> 350mA          |
| <b>TILT</b> N/A                                      | <b>SUPPLY TYPE</b> Constant Current |
| <b>LOCKABLE</b> N/A                                  | <b>DRIVER LOCATION</b> Remote       |
| <b>WEIGHT</b> 88g   0.19lb                           | <b>DIMMING</b> DALI   0-10V   1-10V |

MOUNTING

|   |                                       |
|---|---------------------------------------|
| <b>MOUNTING</b> Minipoints                | <b>CUTOUT</b> ø18mm (0.71") minipoint |
| <b>CEILING THICKNESS</b> 30mm (1.18") max | <b>MIN CEILING VOID</b> N/A           |

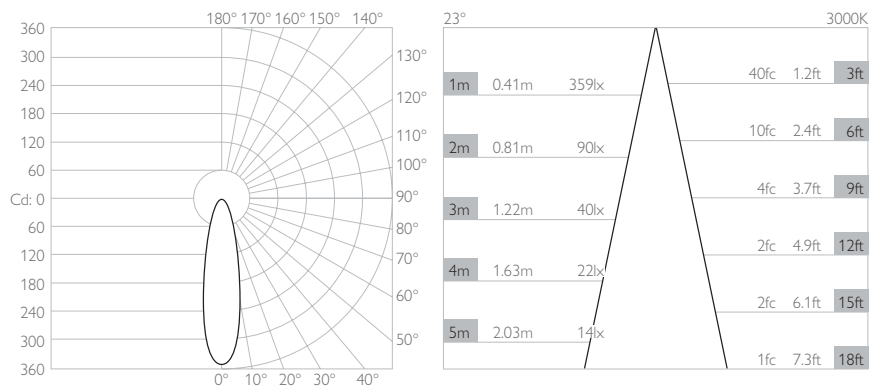
FINISHES

**FINISHES** Brushed Aluminium | White RAL9010 | Matte Black Anodised | Rubbed Bronze\* | Polished Brass\* | Brushed Brass\* | Polished Nickel\*  
\*Premium & custom finishes are built & finished to order. These are subject to an extended lead time & MOQ.

OPTICAL & STANDARDS

|   |                            |
|---|----------------------------|
| <b>TOTAL NOMINAL LUMENS</b> 306lm         | <b>BEAM ANGLE</b> 23°      |
| <b>TOTAL DELIVERED LUMENS</b> 276lm       | <b>CRI</b> 95 TYP          |
| <b>LIGHT ENGINE DELIVERED LUMENS</b> 92lm | <b>TM-30</b> RF: 93 RG: 99 |
| <b>LIGHT ENGINES</b> 3                    | <b>WARRANTY</b> 5 Years    |
| <b>COLOUR TEMPERATURE</b> 2700K   3000K   | <b>STANDARDS</b>           |
| <b>ACCESSORY HOLDER</b> N/A               |                            |
| <b>ACCESSORIES</b> N/A                    |                            |

Photometry shown is for 3000K module. Please enquire for other CCT photometry. L90 50,000 hours.



LUMINAIRE FINISH

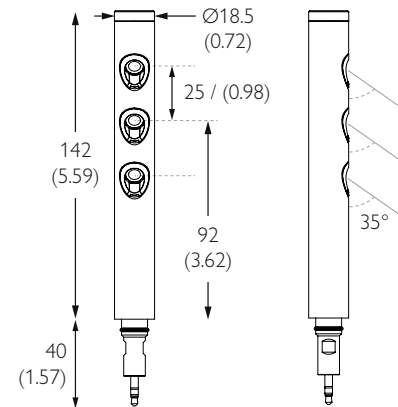
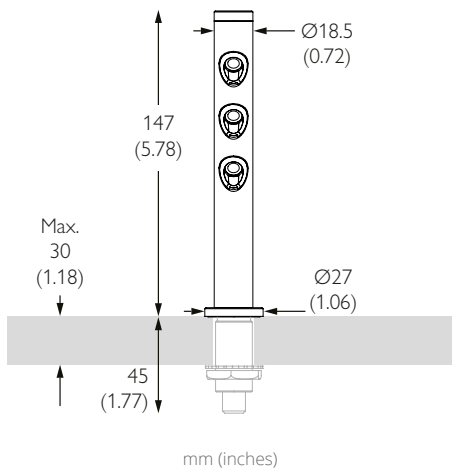
|                   | White 9010       | Matt Anodised Black | Brushed Aluminium | Rubbed Bronze*   | Polished Brass*  | Brushed Brass*   |
|-------------------|------------------|---------------------|-------------------|------------------|------------------|------------------|
| Without Minipoint | 1003-E-WH-XX9523 | 1003-E-EBA-XX9523   | 1003-E-AL-XX9523  | 1003-E-RB-XX9523 | 1003-E-PB-XX9523 | 1003-E-SB-XX9523 |
| With Minipoint    |                  |                     |                   |                  |                  |                  |

\*All premium & custom finishes are built & finished to order. These are subject to an extended lead time & MOQ

For 3000K Substitute XX with 30

For 2700K Substitute XX with 27

FLOOD



TECHNICAL DESCRIPTION

Stacko Tilt Fixed End is a Constant Current miniature display lighting product. It has four beam distributions and is a part of the modular Stacko Collection allowing users to 'stack' products together to create unique lighting set-ups that comes as standard in white, black and brushed aluminium. There are 3 light engines totalling 306lm | 3.36W. Each flood beam in our 102lm light engine has a peak intensity of 109cd. This 'End' module closes the circuit and does not accept further modules. There can only be a maximum of 10 light engines per Stacko circuit or driver. The luminaire is compatible with our Minipoint system that enables a plug and play setup where luminaires can be swapped to suit changing lighting requirements.

MECHANICAL & ELECTRICAL

|  |                                     |
|--|-------------------------------------|
| <b>CATEGORY</b> IP20                                 | <b>WATTAGE</b> 3.36W                |
| <b>MATERIAL</b> Machined AL 6063-T6   Machined Brass | <b>FORWARD VOLTAGE</b> 9.6V         |
| <b>PAN</b> 360°                                      | <b>DRIVE CURRENT</b> 350mA          |
| <b>TILT</b> N/A                                      | <b>SUPPLY TYPE</b> Constant Current |
| <b>LOCKABLE</b> N/A                                  | <b>DRIVER LOCATION</b> Remote       |
| <b>WEIGHT</b> 88g   0.19lb                           | <b>DIMMING</b> DALI   0-10V   1-10V |

MOUNTING

|   |                                       |
|---|---------------------------------------|
| <b>MOUNTING</b> Minipoints                | <b>CUTOUT</b> ø18mm (0.71") minipoint |
| <b>CEILING THICKNESS</b> 30mm (1.18") max | <b>MIN CEILING VOID</b> N/A           |

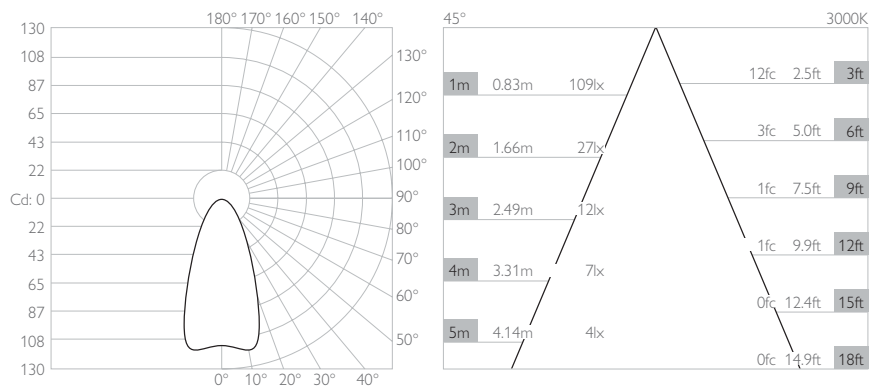
FINISHES

**FINISHES** Brushed Aluminium | White RAL9010 | Matte Black Anodised | Rubbed Bronze\* | Polished Brass\* | Brushed Brass\* | Polished Nickel\*  
\*Premium & custom finishes are built & finished to order. These are subject to an extended lead time & MOQ.

OPTICAL & STANDARDS

|   |                            |
|---|----------------------------|
| <b>TOTAL NOMINAL LUMENS</b> 306lm         | <b>BEAM ANGLE</b> 45°      |
| <b>TOTAL DELIVERED LUMENS</b> 279lm       | <b>CRI</b> 95 TYP          |
| <b>LIGHT ENGINE DELIVERED LUMENS</b> 93lm | <b>TM-30</b> RF: 93 RG: 99 |
| <b>LIGHT ENGINES</b> 3                    | <b>WARRANTY</b> 5 Years    |
| <b>COLOUR TEMPERATURE</b> 2700K   3000K   | <b>STANDARDS</b>           |
| <b>ACCESSORY HOLDER</b> N/A               |                            |
| <b>ACCESSORIES</b> N/A                    |                            |

Photometry shown is for 3000K module. Please enquire for other CCT photometry. L90 50,000 hours.



LUMINAIRE FINISH

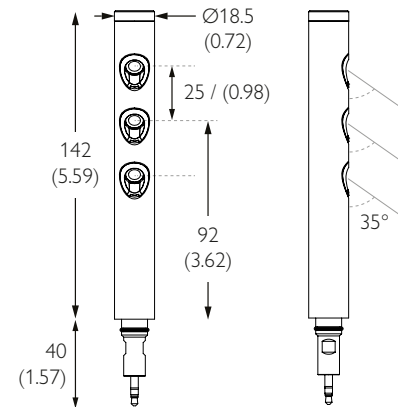
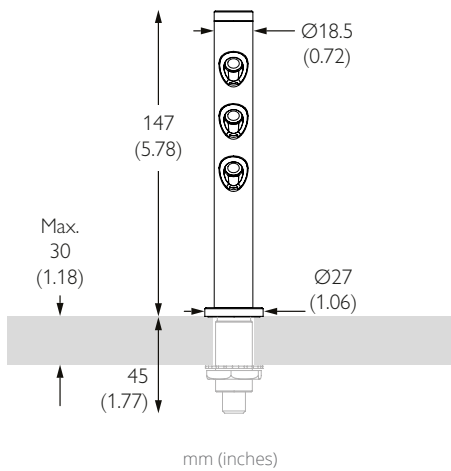
|                   | White 9010       | Matt Anodised Black | Brushed Aluminium | Rubbed Bronze*   | Polished Brass*  | Brushed Brass*   |
|-------------------|------------------|---------------------|-------------------|------------------|------------------|------------------|
| Without Minipoint | 1003-E-WH-XX9545 | 1003-E-EBA-XX9545   | 1003-E-AL-XX9545  | 1003-E-RB-XX9545 | 1003-E-PB-XX9545 | 1003-E-SB-XX9545 |
| With Minipoint    |                  |                     |                   |                  |                  |                  |

\*All premium & custom finishes are built & finished to order. These are subject to an extended lead time & MOQ

For 3000K Substitute XX with 30

For 2700K Substitute XX with 27

WIDE FLOOD



TECHNICAL DESCRIPTION

Stacko Tilt Fixed End is a Constant Current miniature display lighting product. It has four beam distributions and is a part of the modular Stacko Collection allowing users to 'stack' products together to create unique lighting set-ups that comes as standard in white, black and brushed aluminium. There are 3 light engines totalling 306lm | 3.36W. Each wide flood beam in our 102lm light engine has a peak intensity of 26cd. This 'End' module closes the circuit and does not accept further modules. There can only be a maximum of 10 light engines per Stacko circuit or driver. The luminaire is compatible with our Minipoint system that enables a plug and play setup where luminaires can be swapped to suit changing lighting requirements.

MECHANICAL & ELECTRICAL

|  |                                     |
|--|-------------------------------------|
| <b>CATEGORY</b> IP20                                 | <b>WATTAGE</b> 3.36W                |
| <b>MATERIAL</b> Machined AL 6063-T6   Machined Brass | <b>FORWARD VOLTAGE</b> 9.6V         |
| <b>PAN</b> 360°                                      | <b>DRIVE CURRENT</b> 350mA          |
| <b>TILT</b> N/A                                      | <b>SUPPLY TYPE</b> Constant Current |
| <b>LOCKABLE</b> N/A                                  | <b>DRIVER LOCATION</b> Remote       |
| <b>WEIGHT</b> 88g   0.19lb                           | <b>DIMMING</b> DALI   0-10V   1-10V |

MOUNTING

|   |                                       |
|---|---------------------------------------|
| <b>MOUNTING</b> Minipoints                | <b>CUTOUT</b> ø18mm (0.71") minipoint |
| <b>CEILING THICKNESS</b> 30mm (1.18") max | <b>MIN CEILING VOID</b> N/A           |

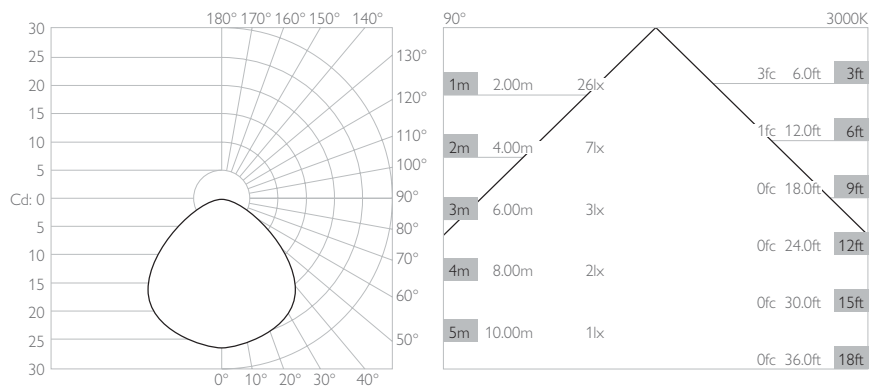
FINISHES

**FINISHES** Brushed Aluminium | White RAL9010 | Matte Black Anodised | Rubbed Bronze\* | Polished Brass\* | Brushed Brass\* | Polished Nickel\*  
\*Premium & custom finishes are built & finished to order. These are subject to an extended lead time & MOQ.

OPTICAL & STANDARDS

|   |                            |
|---|----------------------------|
| <b>TOTAL NOMINAL LUMENS</b> 306lm         | <b>BEAM ANGLE</b> 90°      |
| <b>TOTAL DELIVERED LUMENS</b> 207lm       | <b>CRI</b> 95 TYP          |
| <b>LIGHT ENGINE DELIVERED LUMENS</b> 69lm | <b>TM-30</b> RF: 93 RG: 99 |
| <b>LIGHT ENGINES</b> 3                    | <b>WARRANTY</b> 5 Years    |
| <b>COLOUR TEMPERATURE</b> 2700K   3000K   | <b>STANDARDS</b>           |
| <b>ACCESSORY HOLDER</b> N/A               |                            |
| <b>ACCESSORIES</b> N/A                    |                            |

Photometry shown is for 3000K module. Please enquire for other CCT photometry. L90 50,000 hours.



LUMINAIRE FINISH

|                   | White 9010       | Matt Anodised Black | Brushed Aluminium | Rubbed Bronze*   | Polished Brass*  | Brushed Brass*   |
|-------------------|------------------|---------------------|-------------------|------------------|------------------|------------------|
| Without Minipoint | 1003-E-WH-XX9590 | 1003-E-EBA-XX9590   | 1003-E-AL-XX9590  | 1003-E-RB-XX9590 | 1003-E-PB-XX9590 | 1003-E-SB-XX9590 |
| With Minipoint    |                  |                     |                   |                  |                  |                  |

\*All premium & custom finishes are built & finished to order. These are subject to an extended lead time & MOQ

For 3000K Substitute XX with 30

For 2700K Substitute XX with 27