

TECHNICAL DESCRIPTION

Stacko Aim Mid is a Constant Current miniature display lighting product. It has four beam distributions and is a part of the modular Stacko Collection allowing users to 'stack' products together to create unique lighting set-ups that comes as standard in white, black and brushed aluminium. There is 1 light engine totalling 102lm | 1.12W. Each narrow beam in our 102lm light engine has a peak intensity of 794cd. This 'Mid' module requires further modules or an end cap to close the circuit. There can only be a maximum of 10 light engines per Stacko circuit or driver. The luminaire is compatible with our Minipoint system that enables a plug and play setup where luminaires can be swapped to suit changing lighting requirements.



MECHANICAL & ELECTRICAL

| | |
|--|-------------------------------------|
| CATEGORY IP20 | WATTAGE 1.12W |
| MATERIAL Machined AL 6063-T6 Machined Brass | FORWARD VOLTAGE 3.2V |
| PAN 360° | DRIVE CURRENT 350mA |
| TILT ±45° | SUPPLY TYPE Constant Current |
| LOCKABLE N/A | DRIVER LOCATION Remote |
| WEIGHT 50g 0.11lb | DIMMING DALI 0-10V 1-10V |

MOUNTING

| | |
|---|---------------------------------------|
| MOUNTING Minipoints | CUTOUT ø18mm (0.71") minipoint |
| CEILING THICKNESS 30mm (1.18") max | MIN CEILING VOID N/A |

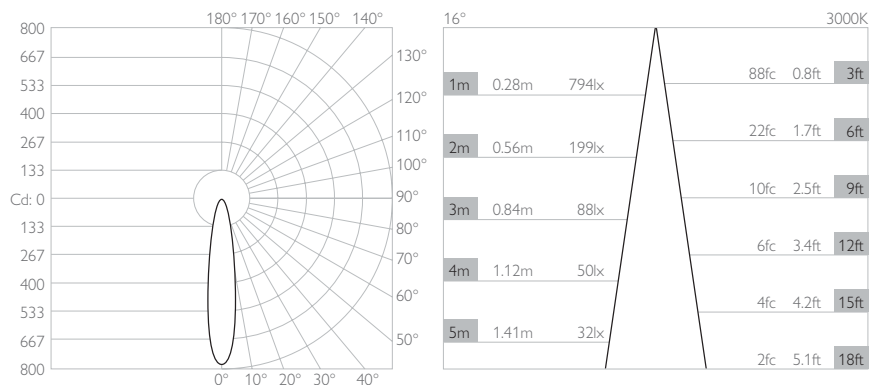
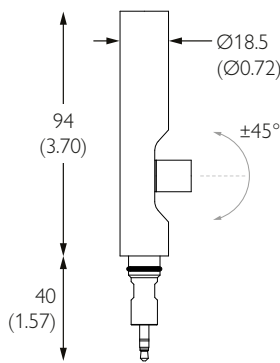
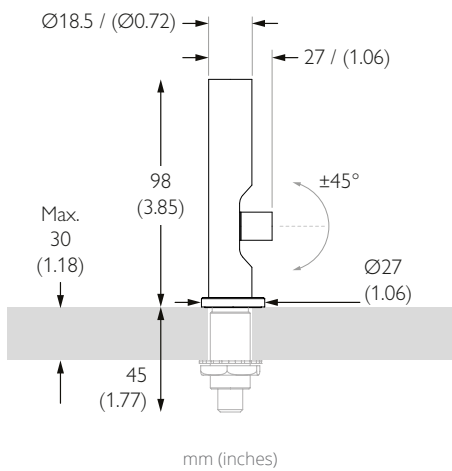
FINISHES

FINISHES Brushed Aluminium | White RAL9010 | Matte Black Anodised | Rubbed Bronze* | Polished Brass* | Brushed Brass* | Polished Nickel*
*Premium & custom finishes are built & finished to order. These are subject to an extended lead time & MOQ.

OPTICAL & STANDARDS

| | |
|---|---|
| TOTAL NOMINAL LUMENS 102lm | BEAM ANGLE 16° |
| TOTAL DELIVERED LUMENS 94lm | CRI 95 TYP |
| LIGHT ENGINE DELIVERED LUMENS 94lm | TM-30 RF: 93 RG: 99 |
| LIGHT ENGINES 1 | WARRANTY 5 Years |
| COLOUR TEMPERATURE 2700K 3000K | STANDARDS |
| ACCESSORY HOLDER N/A |    |
| ACCESSORIES Snoots End Cap | |

Photometry shown is for 3000K module. Please enquire for other CCT photometry. L90 50,000 hours.



LUMINAIRE FINISH

| | White 9010 | Matt Anodised Black | Brushed Aluminium | Rubbed Bronze* | Polished Brass* | Brushed Brass* |
|-------------------|------------------|---------------------|-------------------|------------------|------------------|------------------|
| Without Minipoint | 1011-M-WH-XX9516 | 1011-M-EBA-XX9516 | 1011-M-AL-XX9516 | 1011-M-RB-XX9516 | 1011-M-PB-XX9516 | 1011-M-SB-XX9516 |
| With Minipoint | | | | | | |

*All premium & custom finishes are built & finished to order. These are subject to an extended lead time & MOQ

For 3000K Substitute XX with 30

For 2700K Substitute XX with 27

TECHNICAL DESCRIPTION

Stacko Aim Mid is a Constant Current miniature display lighting product. It has four beam distributions and is a part of the modular Stacko Collection allowing users to 'stack' products together to create unique lighting set-ups that comes as standard in white, black and brushed aluminium. There is 1 light engine totalling 102lm | 1.12W. Each medium beam in our 102lm light engine has a peak intensity of 359cd. This 'Mid' module requires further modules or an end cap to close the circuit. There can only be a maximum of 10 light engines per Stacko circuit or driver. The luminaire is compatible with our Minipoint system that enables a plug and play setup where luminaires can be swapped to suit changing lighting requirements.



MECHANICAL & ELECTRICAL

| | |
|--|-------------------------------------|
| CATEGORY IP20 | WATTAGE 1.12W |
| MATERIAL Machined AL 6063-T6 Machined Brass | FORWARD VOLTAGE 3.2V |
| PAN 360° | DRIVE CURRENT 350mA |
| TILT ±45° | SUPPLY TYPE Constant Current |
| LOCKABLE N/A | DRIVER LOCATION Remote |
| WEIGHT 50g 0.11lb | DIMMING DALI 0-10V 1-10V |

MOUNTING

| | |
|---|---------------------------------------|
| MOUNTING Minipoints | CUTOUT ø18mm (0.71") minipoint |
| CEILING THICKNESS 30mm (1.18") max | MIN CEILING VOID N/A |

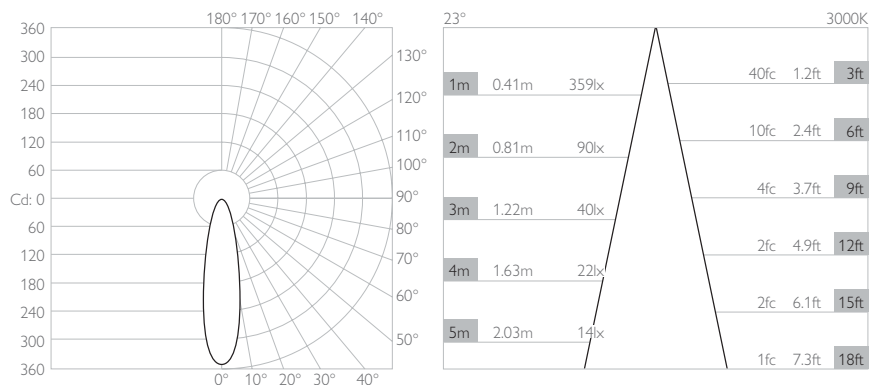
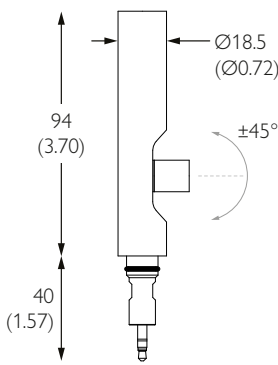
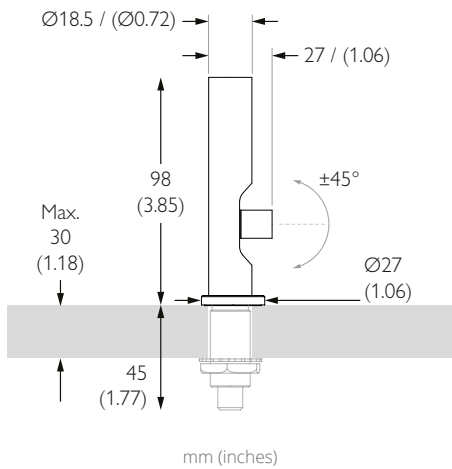
FINISHES

FINISHES Brushed Aluminium | White RAL9010 | Matte Black Anodised | Rubbed Bronze* | Polished Brass* | Brushed Brass* | Polished Nickel*
*Premium & custom finishes are built & finished to order. These are subject to an extended lead time & MOQ.

OPTICAL & STANDARDS

| | |
|---|----------------------------|
| TOTAL NOMINAL LUMENS 102lm | BEAM ANGLE 23° |
| TOTAL DELIVERED LUMENS 92lm | CRI 95 TYP |
| LIGHT ENGINE DELIVERED LUMENS 92lm | TM-30 RF: 93 RG: 99 |
| LIGHT ENGINES 1 | WARRANTY 5 Years |
| COLOUR TEMPERATURE 2700K 3000K | STANDARDS |
| ACCESSORY HOLDER N/A | |
| ACCESSORIES Snoots End Cap | |

Photometry shown is for 3000K module. Please enquire for other CCT photometry. L90 50,000 hours.



LUMINAIRE FINISH

| | White 9010 | Matt Anodised Black | Brushed Aluminium | Rubbed Bronze* | Polished Brass* | Brushed Brass* |
|-------------------|------------------|---------------------|-------------------|------------------|------------------|------------------|
| Without Minipoint | 1011-M-WH-XX9523 | 1011-M-EBA-XX9523 | 1011-M-AL-XX9523 | 1011-M-RB-XX9523 | 1011-M-PB-XX9523 | 1011-M-SB-XX9523 |
| With Minipoint | | | | | | |

*All premium & custom finishes are built & finished to order. These are subject to an extended lead time & MOQ

For 3000K Substitute XX with 30

For 2700K Substitute XX with 27

FLOOD

TECHNICAL DESCRIPTION

Stacko Aim Mid is a Constant Current miniature display lighting product. It has four beam distributions and is a part of the modular Stacko Collection allowing users to 'stack' products together to create unique lighting set-ups that comes as standard in white, black and brushed aluminium. There is 1 light engine totalling 102lm | 1.12W. Each flood beam in our 102lm light engine has a peak intensity of 109cd. This 'Mid' module requires further modules or an end cap to close the circuit. There can only be a maximum of 10 light engines per Stacko circuit or driver. The luminaire is compatible with our Minipoint system that enables a plug and play setup where luminaires can be swapped to suit changing lighting requirements.



MECHANICAL & ELECTRICAL

| | |
|--|-------------------------------------|
| CATEGORY IP20 | WATTAGE 1.12W |
| MATERIAL Machined AL 6063-T6 Machined Brass | FORWARD VOLTAGE 3.2V |
| PAN 360° | DRIVE CURRENT 350mA |
| TILT ±45° | SUPPLY TYPE Constant Current |
| LOCKABLE N/A | DRIVER LOCATION Remote |
| WEIGHT 50g 0.11lb | DIMMING DALI 0-10V 1-10V |

MOUNTING

| | |
|---|---------------------------------------|
| MOUNTING Minipoints | CUTOUT ø18mm (0.71") minipoint |
| CEILING THICKNESS 30mm (1.18") max | MIN CEILING VOID N/A |

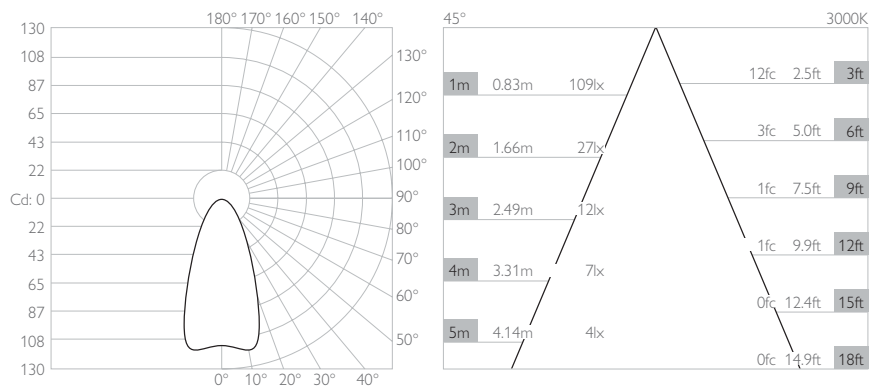
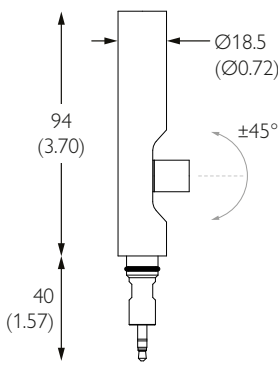
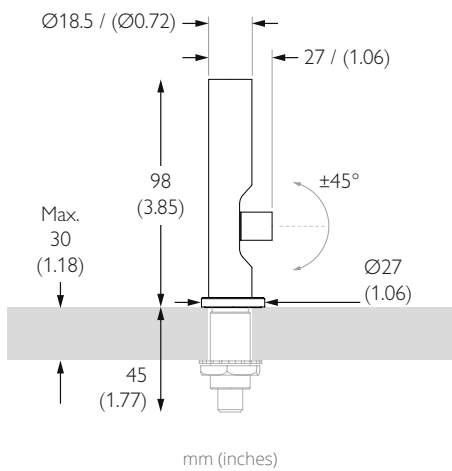
FINISHES

FINISHES Brushed Aluminium | White RAL9010 | Matte Black Anodised | Rubbed Bronze* | Polished Brass* | Brushed Brass* | Polished Nickel*
*Premium & custom finishes are built & finished to order. These are subject to an extended lead time & MOQ.

OPTICAL & STANDARDS

| | |
|---|----------------------------|
| TOTAL NOMINAL LUMENS 102lm | BEAM ANGLE 45° |
| TOTAL DELIVERED LUMENS 93lm | CRI 95 TYP |
| LIGHT ENGINE DELIVERED LUMENS 93lm | TM-30 RF: 93 RG: 99 |
| LIGHT ENGINES 1 | WARRANTY 5 Years |
| COLOUR TEMPERATURE 2700K 3000K | STANDARDS |
| ACCESSORY HOLDER N/A | |
| ACCESSORIES Snoots End Cap | |

Photometry shown is for 3000K module. Please enquire for other CCT photometry. L90 50,000 hours.



LUMINAIRE FINISH

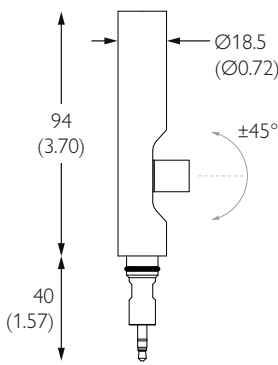
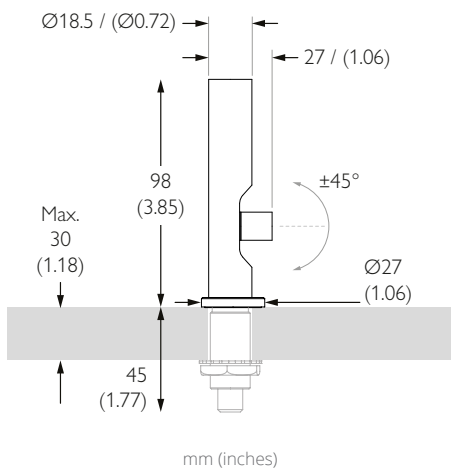
| | White 9010 | Matt Anodised Black | Brushed Aluminium | Rubbed Bronze* | Polished Brass* | Brushed Brass* |
|-------------------|------------------|---------------------|-------------------|------------------|------------------|------------------|
| Without Minipoint | 1011-M-WH-XX9545 | 1011-M-EBA-XX9545 | 1011-M-AL-XX9545 | 1011-M-RB-XX9545 | 1011-M-PB-XX9545 | 1011-M-SB-XX9545 |
| With Minipoint | | | | | | |

*All premium & custom finishes are built & finished to order. These are subject to an extended lead time & MOQ

For 3000K Substitute XX with 30

For 2700K Substitute XX with 27

WIDE FLOOD



TECHNICAL DESCRIPTION

Stacko Aim Mid is a Constant Current miniature display lighting product. It has four beam distributions and is a part of the modular Stacko Collection allowing users to 'stack' products together to create unique lighting set-ups that comes as standard in white, black and brushed aluminium. There is 1 light engine totalling 102lm | 1.12W. Each wide flood beam in our 102lm light engine has a peak intensity of 26cd. This 'Mid' module requires further modules or an end cap to close the circuit. There can only be a maximum of 10 light engines per Stacko circuit or driver. The luminaire is compatible with our Minipoint system that enables a plug and play setup where luminaires can be swapped to suit changing lighting requirements.

MECHANICAL & ELECTRICAL

| | |
|--|-------------------------------------|
| CATEGORY IP20 | WATTAGE 1.12W |
| MATERIAL Machined AL 6063-T6 Machined Brass | FORWARD VOLTAGE 3.2V |
| PAN 360° | DRIVE CURRENT 350mA |
| TILT ±45° | SUPPLY TYPE Constant Current |
| LOCKABLE N/A | DRIVER LOCATION Remote |
| WEIGHT 50g 0.11lb | DIMMING DALI 0-10V 1-10V |

MOUNTING

| | |
|---|---------------------------------------|
| MOUNTING Minipoints | CUTOUT ø18mm (0.71") minipoint |
| CEILING THICKNESS 30mm (1.18") max | MIN CEILING VOID N/A |

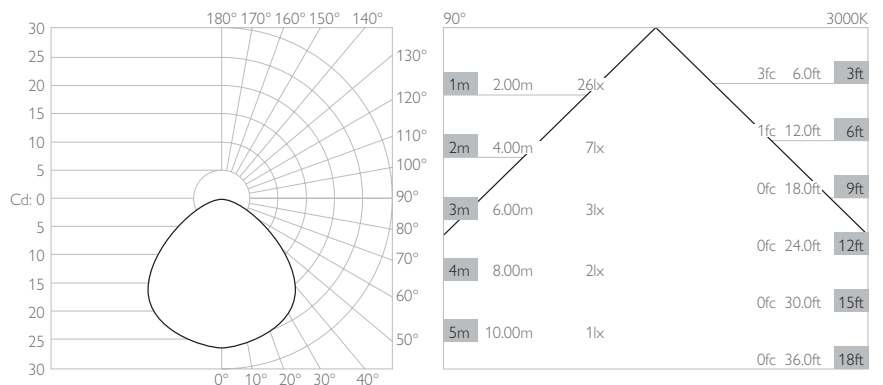
FINISHES

FINISHES Brushed Aluminium | White RAL9010 | Matte Black Anodised | Rubbed Bronze* | Polished Brass* | Brushed Brass* | Polished Nickel*
*Premium & custom finishes are built & finished to order. These are subject to an extended lead time & MOQ.

OPTICAL & STANDARDS

| | |
|---|----------------------------|
| TOTAL NOMINAL LUMENS 102lm | BEAM ANGLE 90° |
| TOTAL DELIVERED LUMENS 69lm | CRI 95 TYP |
| LIGHT ENGINE DELIVERED LUMENS 69lm | TM-30 RF: 93 RG: 99 |
| LIGHT ENGINES 1 | WARRANTY 5 Years |
| COLOUR TEMPERATURE 2700K 3000K | STANDARDS |
| ACCESSORY HOLDER N/A | |
| ACCESSORIES Snoots End Cap | |

Photometry shown is for 3000K module. Please enquire for other CCT photometry. L90 50,000 hours.



LUMINAIRE FINISH

| | White 9010 | Matt Anodised Black | Brushed Aluminium | Rubbed Bronze* | Polished Brass* | Brushed Brass* |
|-------------------|------------------|---------------------|-------------------|------------------|------------------|------------------|
| Without Minipoint | 1011-M-WH-XX9590 | 1011-M-EBA-XX9590 | 1011-M-AL-XX9590 | 1011-M-RB-XX9590 | 1011-M-PB-XX9590 | 1011-M-SB-XX9590 |
| With Minipoint | | | | | | |

*All premium & custom finishes are built & finished to order. These are subject to an extended lead time & MOQ

For 3000K Substitute XX with 30

For 2700K Substitute XX with 27