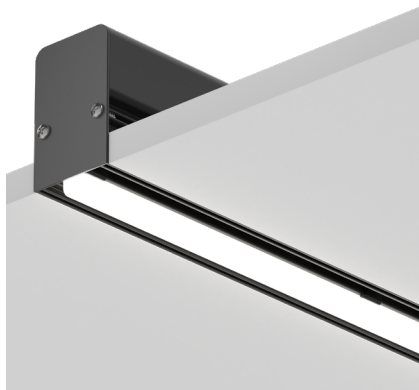
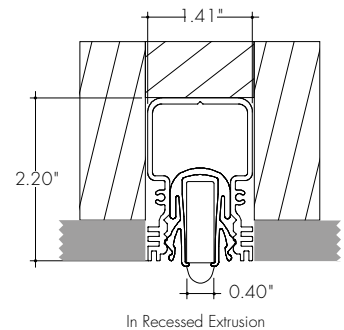


Plexineon Recessed Mount

Static White and Monochrome Colors



- For interior accent lighting.
- Neon look providing a crisp, clear line of light visible for miles
- Mounting Clips are included in the appropriate quantities
- Operating Temperature: -40° F to 140° F (-40° C to 60° C)
- 24VDC Class 2
- IK10 and 3G rated
- Wet Rated
- 5 year warranty indoor



Technical Information

MODEL	Plexineon Static White (30K)	Plexineon Monochrome Colors					
		Red	Blue	Green	Magenta	Teal	Yellow
OUTPUT OPTIONS	SO						
Lumens Output (3000K)	123 lm/ft	14 lm/ft	11 lm/ft	50 lm/ft	24 lm/ft	60 lm/ft	62 lm/ft
Average Power Consumption (for a 4' section)	3.2 W/ft	1.2 W/ft	1.4 W/ft	1.5 W/ft	2.6 W/ft	2.9 W/ft	2.7 W/ft
Wavelength	N/A	622 nm	468 nm	525 nm	567 nm	486 nm	563 nm
Efficacy	39 lm/W	12.1 lm/W	8.1 lm/W	33.8 lm/W	9.2 lm/W	20.9 lm/W	23.2 lm/W
Cut Increment	1.97"						
Max Run Length (in series)	30 ft	32ft	32ft	32ft	32ft	32ft	32ft

CCT	Multiplier (reference - 3000K)	TM-30		
		CRI	R _f	R _g
2700K	0.94	90	88	97
3000k	1.00	90	87	97
3500k	1.02	90	87	97
4000k	1.02	90	84	92

Ordering Code

MODEL	RUN LENGTH ¹	BEND	CCT	OUTPUT	LENS	MOUNTING ²	FINISH	POWERFEED POSITION/TYPE
PX-Plexineon	____ - Run length in inches, 6" min, no max run length	SR-Straight Run	27K-2700K 30K-3000K 35K-3500K 40K-4000K B-Blue G-Green T-Teal Y-Yellow R-Red M-Magenta	SO-Standard	F-Frosted	RM-Recessed Mount	BK-Matte Black	B-4-Male Quick Connect One End, Female Quick Connect Other End

1. Available in 2" increments, +/- 1/2" tolerance. Run Lengths over 96" (8ft) will be made of equal sections no longer than 96".
 2. Recessed Mount includes all necessary hardware for either mud-in or hard ceiling (stone, marble) installation. Blocking above ceiling built by others.

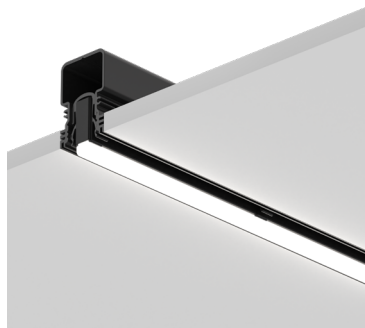
Plexineon Recessed Mount

Static White and Monochrome Colors

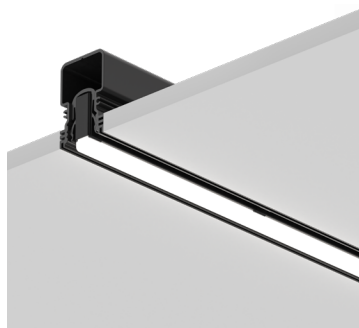
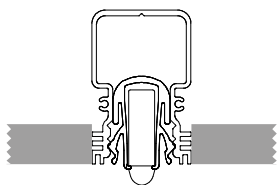


Installation Configurations

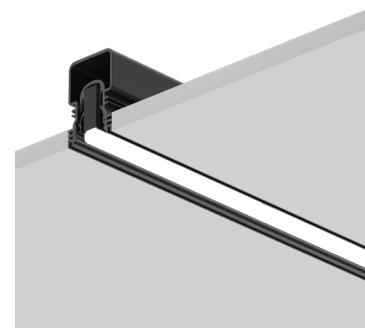
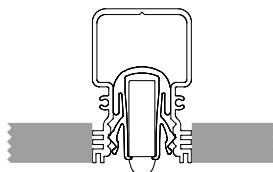
- Position of Plexineon fixtures within Extrusion Housing is adjustable in the field at time of install.



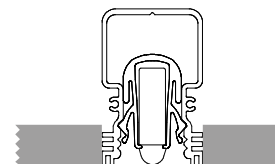
Exposed



Semi-Recessed



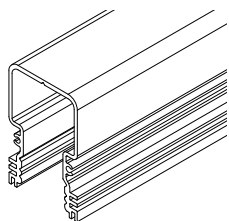
Fully Recessed



Recessed Mounting Components & Tools

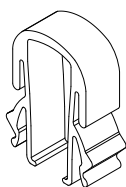
- Mounting Hardware is included with Plexineon runs in the appropriate quantity, including Extrusion Housing and Plaster Plate. Order extras as desired. Blocking above ceiling built by others.

75-EXT01-001-00
Extrusion Housing



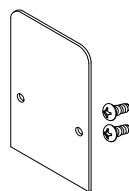
Mount to deck or support backing above ceiling. Ships in 96" sections, field cut to size

75-CLP32-001-00
Recessed Mounting Clip



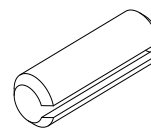
Placed approximately every 30" as well as 2" from the ends

80-MTPO1-001-00
End Plate



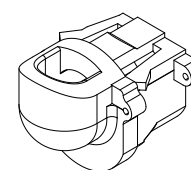
Two per continuous run

80-PIN03-001-00
Alignment Pin



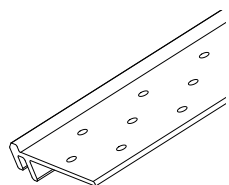
Two for every Extrusion to Extrusion connection.

80-BSH02-001-00
Powerfeed Strain Relief



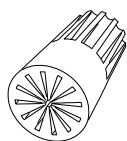
One per driver connection

35-EXT01-001-00
Plaster Plate, Mud-in

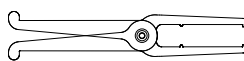


Used for drywall install and mud-in applications

60-12-22AWGSBWN
Weatherproof Wire Nut Silicone Filled

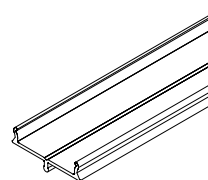


70-TOL03-001-00
Tool



Allows for changing of installation configurations

35-EXT03-001-00
Paint Mask



Protects interior of the Extrusion Housing during mud-in and paint

45-GLU01-001-00
Glue



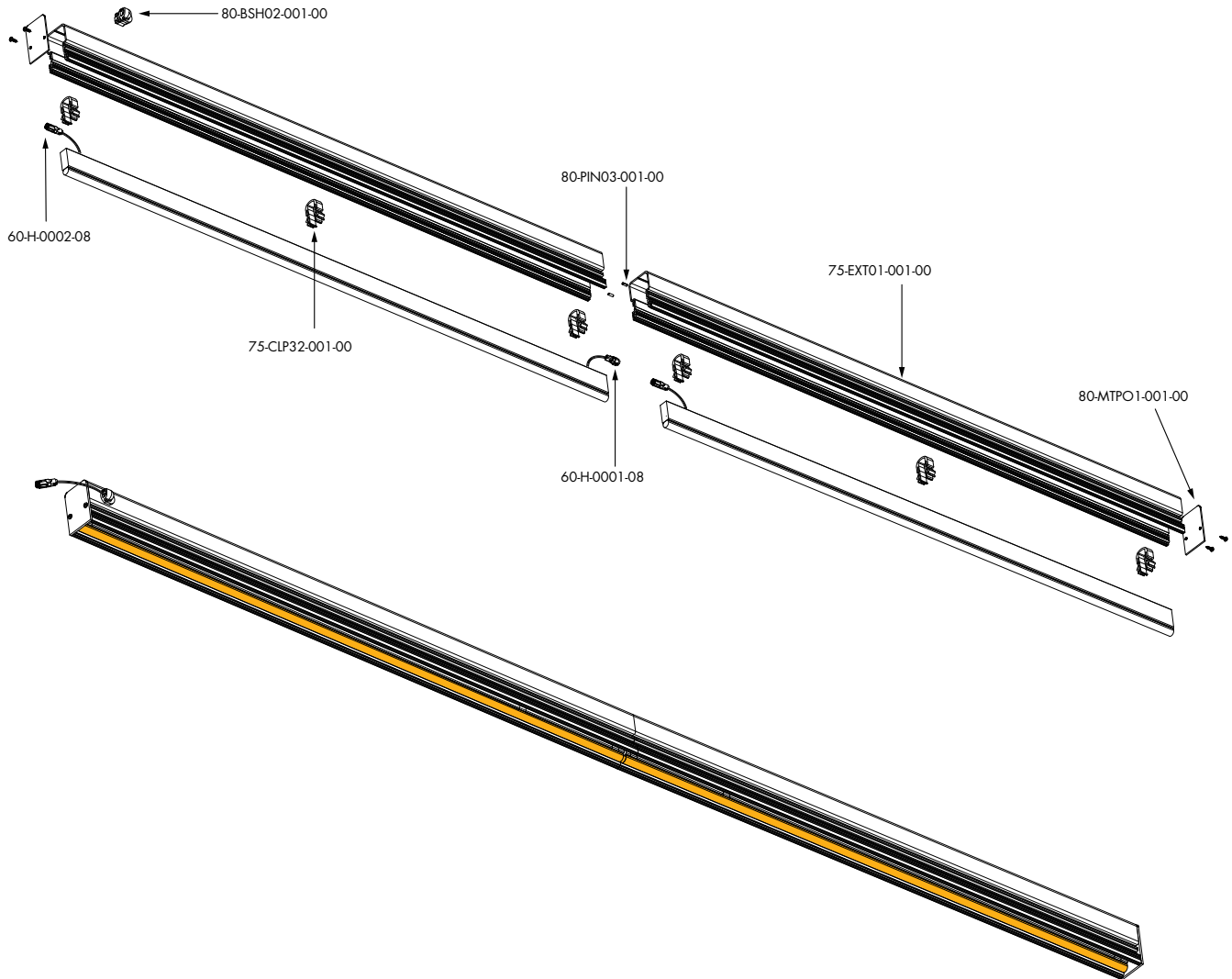
Used to adhere Recessed Mounting Clips to Plexineon fixture

Plexineon Recessed Mount

Static White and Monochrome Colors

Sample Layout

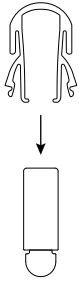
PX-108-SR-30K-50-F-RM-BK-B-4
Plexineon Recessed



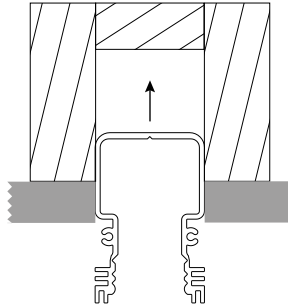
Plexineon Recessed Mount

Static White and Monochrome Colors

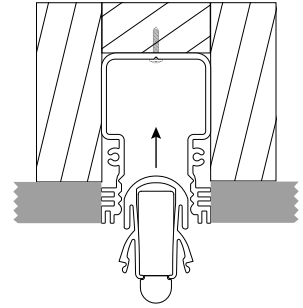
Recessed Mounting Installation



Install Recessed Mounting Clips onto plexineon straight run fixture. Use glue to fill any gaps between clip and fixture.
Note: use 1 clip per approximately every 30".



Build blocking above ceiling plane. Screw onto the support blocking or deck.



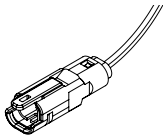
Install Plexineon with Recessed Mounting Clips into Extrusion Housing at desired position.

Additional Material

- Sold separately.

60-H-0001-08

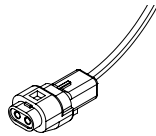
Female Quick Connect with flying leads



Female Quick Connect with flying leads can be connected to the Power Supply at the start of a run. Can also be used with the Male Quick Connect to make wire jumpers. Use color suffix -08 for Black, -09 for Grey, or -10 for White

60-H-0002-08

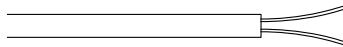
Male Quick Connect with flying leads



Male Quick Connect with flying leads can be used to make wire jumpers. Use color suffix -08 for Black, -09 for Grey, or -10 for White

55-STW02-050-00

50 ft of 14 gauge wire Black jacket, 2 conductors



Sunlight, moisture resistant, and flame retardant PVC jacket per UL 1277

Plexineon Recessed Mount

Static White and Monochrome Colors



ilight
by luminii

Common Applications

Custom Indoor Designs | Coves | Signs | Building Facades | Lobbies | Hallways | Statement Pieces | Restaurants
Corporate Offices | Schools | Residential Towers | Parking Garages | Hotels | Bridges | Benches | Airports



Plexineon Recessed Mount

Static White and Monochrome Colors



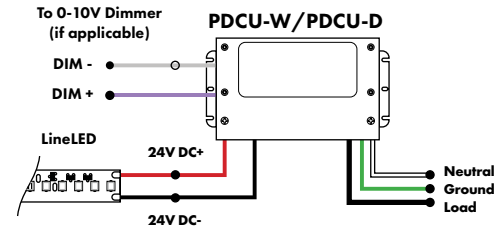
Power Supplies

See Power Supply instructions and spec sheet for wiring information. For a complete list of compatible dimmers, see [Compatible Dimming Chart](#) on the Resources page.

Universal Power Supply 1% 120VAC - 277VAC

MODEL	POWER	OUTPUT
PDCU-D - IP20 Dry Series	30 - 30 W 60 - 60 W 96 - 96 W 3X96 - 3X96 W	24 - 24 VDC
PDCU-W - IP66 Wet Series	96 - 96 W 3X96 - 3X96 W	

0-10V dims down to 1%, MLV/ELV/TRIAC dims down to 1%.
For a complete list of compatible dimmers, see [Compatible Dimming Chart](#) on the Resources page.

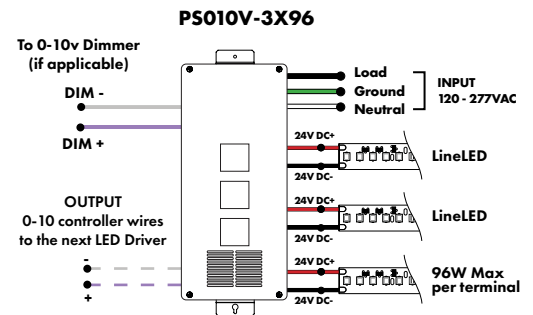
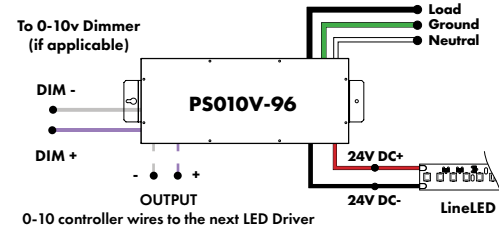


MODELS	PDCU-W 96W	PDCU-W 3X96W	PDCU-D 30W	PDCU-D 60W	PDCU-D 96W	PDCU-D 3X96W
Length	8.66"	11.85"	6.10"	7.93"	8.25"	9.57"
Width	3.73"	4.32"	3.35"	3.35"	4.10"	5.94"
Depth	1.61"	1.81"	1.33"	1.32"	1.56"	1.13"

0-10V Dimming Power Supplies 0.1% 120VAC - 277VAC

MODEL	POWER	OUTPUT	DIMMING
PS010V - 0-10V Power Supply dims down to 0.1%	96 - 96 Watt 3X96 - 3 X 96 Watt	24 - 24 VDC	LIN - Linear LOG - Logarithmic

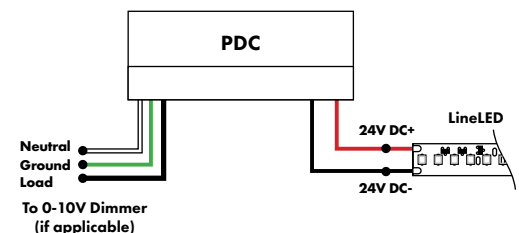
MODELS	96W	3X96
Length	14.40"	15.75"
Width	5.20"	6.62"
Depth	2.60"	4.95"



Triac, MLV, & ELV Compatible Dimmers

MODEL	POWER	OUTPUT
PDC - (IP20) Power Supply	96 - 96 Watts	24 - 24 VDC

MODELS	96W
Length	8.25"
Width	4.10"
Depth	1.56"



Plexineon Recessed Mount

Static White and Monochrome Colors



Power Supplies

See Power Supply instructions and spec sheet for wiring information. For a complete list of compatible dimmers, see Compatible Dimming Chart on the Resources page.

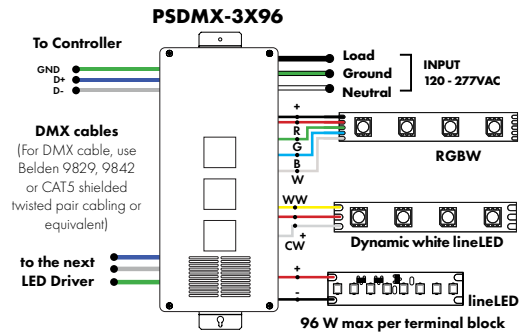
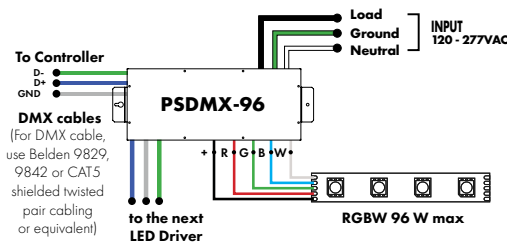
DMX Dimming Power Supplies 120VAC - 277VAC

MODEL	POWER	OUTPUT
PSDMX	96 - 96 Watt 3X96 - 3 X 96 Watt	24 - 24 VDC

PSDMX - DMX Power Supply dims down to 0%

Features eldoLED's LINEARdrive configurable dimmable drivers

MODELS	96W	3X96
Length	14.40"	15.75"
Width	5.20"	6.62"
Depth	2.60"	4.95"



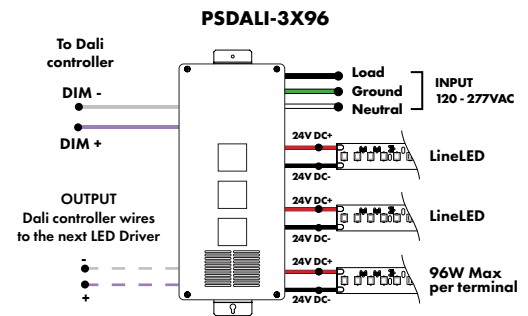
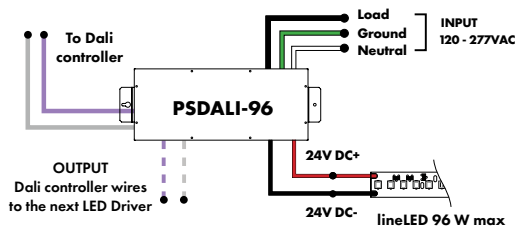
DALI 0% Dimming Power Supplies 120VAC - 277VAC

MODEL	POWER	OUTPUT
PSDALI	96 - 96 Watt 3X96 - 3 X 96 Watt	24 - 24 VDC

PSDALI - DALI Power Supply dims down to 0%

Features eldoLED's LINEARdrive configurable dimmable drivers

Model	96W	3X96
Length	14.40"	15.75"
Width	5.20"	6.62"
Depth	2.60"	4.95"

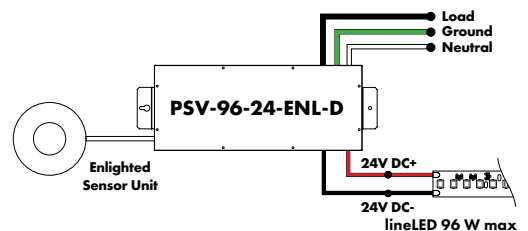


Enlighted Enabled Dimming Power Supplies 120VAC - 277VAC

MODEL	POWER	OUTPUT	DIMMING	LOCATION
PSV - PSV Series	96 - 96 Watt	24 - 24 VDC	ENL - Enlighted Dimming dims down to 0%	D - Damp

PSV - PSV Series 96 - 96 Watt 24 - 24 VDC ENL - Enlighted Dimming dims down to 0% D - Damp

Model	96W
Length	14.40"
Width	5.20"
Depth	2.60"



Plexineon Recessed Mount

Static White and Monochrome Colors



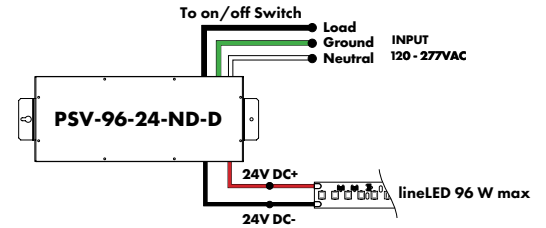
Power Supplies

See Power Supply instructions and spec sheet for wiring information. For a complete list of compatible dimmers, see Compatible Dimming Chart on the Resources page.

Non-Dimming Power Supply 120VAC - 277VAC

MODEL	POWER	OUTPUT	DIMMING	LOCATION
PSV - PSV Series	96 - 96 Watt	24 - 24 VDC	U2ND - Non Dimming	D - Damp

MODELS	96W
Length	14.40"
Width	5.20"
Depth	2.60"

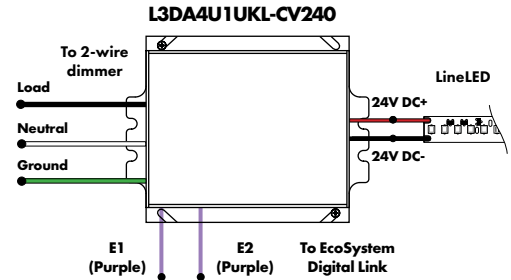


Luminii is a Lutron OEM Advantage Partner

Lutron Power Supplies 1%

MODEL
L3DA4U1UKL-CV240
HiLume™ 1% EcoSystem Voltage LED driver 40W max

MODELS	L3DA4U1UKL-CV240
Length	4.98"
Width	4.00"
Depth	2.62"

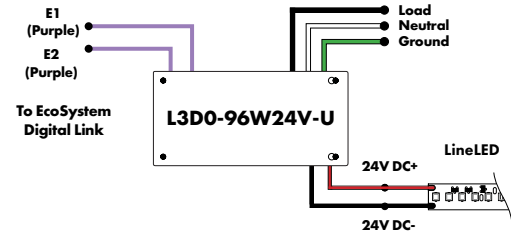


Luminii is a Lutron OEM Advantage Partner

Lutron Power Supplies 0.1%

MODEL
L3D0-96W24V-U
HiLume™ 0.1% EcoSystem Voltage LED Driver with Soft-On, Fade-to-Black™ 96W max

MODELS	L3D0
Length	10.50"
Width	5.50"
Depth	2.00"



In-Ground Power Supplies

MODEL	POWER	OUTPUT	INPUT
IG - In ground CVE Series CVE - ELV Dimming DALI - eldoLED Dali dimming Both dims down to 0%	96X2 - 2 X 96 Watt	24 - 24 VDC	Blank - 120 V 277 - 240/277 V

MODELS	Dual Circuit
Length	8.40"
Width	8.30"
Depth	8.10"

