

NARROW



TECHNICAL DESCRIPTION

Pico Plus is a Constant Current single source LED spotlight that is machined from aerospace grade aluminium 6063-T6 and comes as standard in white, black and brushed aluminium. It has three site-changeable optics for flexible beam distribution and is fully adjustable with lockable 360° pan and 180° tilt. The narrow beam in our 2.24W 180lm module has a peak intensity of 1566cd.

MECHANICAL & ELECTRICAL

CATEGORY IP20	WATTAGE 2.24W
MATERIAL Machined AL 6063-T6	FORWARD VOLTAGE 3.2V
PAN 360°	SUPPLY TYPE Constant Current
TILT 180°	DRIVER LOCATION Remote
LOCKABLE Pan & Tilt	DIMMING DALI 0-10V 1-10V
WEIGHT 62g 0.14lb	

MOUNTING

MOUNTING M12 / Screw Fixing

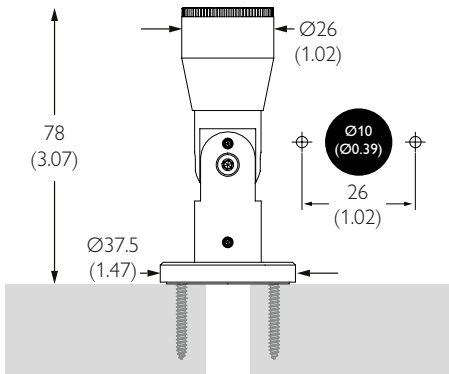
FINISHES

FINISHES Brushed Aluminium | Black RAL9005 | White RAL9010

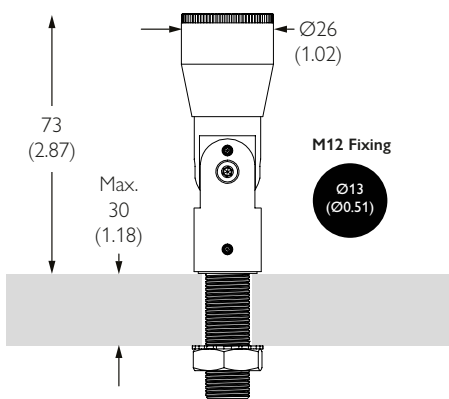
*Premium & custom finishes are built & finished to order. These are subject to an extended lead time & MOQ.

OPTICAL & STANDARDS

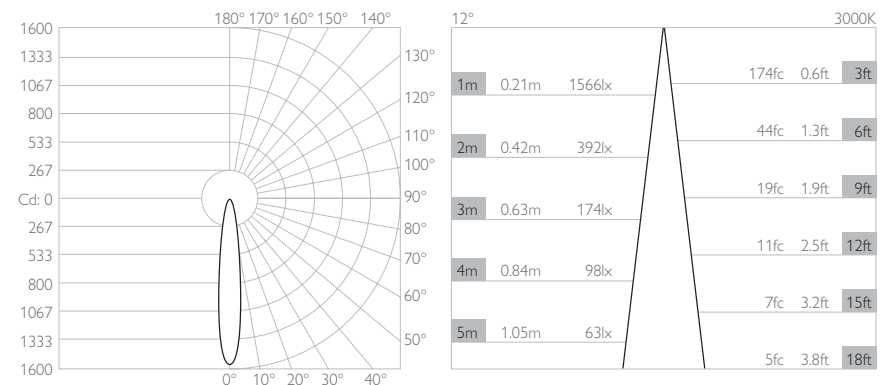
NOMINAL LUMENS 180lm	BEAM ANGLE 12°
DELIVERED LUMENS 164lm	CRI 95 TYP
COLOUR TEMPERATURE 2700K 3000K	TM-30 RF: 93 RG: 99
ACCESSORY HOLDER Integral	WARRANTY 5 Years
ACCESSORIES Snoots Lenses 20mm (0.79")	STANDARDS



mm (inches)



Photometry shown is for 3000K module. Please enquire for other CCT photometry. L90 50,000 hours.



LUMINAIRE FINISH

	White 9010	Black 9005	Brushed Aluminium	Rubbed Bronze*	Polished Brass*	Brushed Brass*
Surface Mounting	MPN-798-WH-XX9512	MPN-798-BK-XX9512	MPN-798-AL-XX9512			
M12 Mounting	M12-798-WH-XX9512	M12-798-BK-XX9512	M12-798-AL-XX9512			

*All premium & custom finishes are built & finished to order. These are subject to an extended lead time & MOQ

For 3000K Substitute XX with 30

For 2700K Substitute XX with 27

MEDIUM



TECHNICAL DESCRIPTION

Pico Plus is a Constant Current single source LED spotlight that is machined from aerospace grade aluminium 6063-T6 and comes as standard in white, black and brushed aluminium. It has three site-changeable optics for flexible beam distribution and is fully adjustable with lockable 360° pan and 180° tilt. The medium beam in our 2.24W 180lm module has a peak intensity of 470cd.

MECHANICAL & ELECTRICAL

CATEGORY IP20	WATTAGE 2.24W
MATERIAL Machined AL 6063-T6	FORWARD VOLTAGE 3.2V
PAN 360°	SUPPLY TYPE Constant Current
TILT 180°	DRIVER LOCATION Remote
LOCKABLE Pan & Tilt	DIMMING DALI 0-10V 1-10V
WEIGHT 62g 0.14lb	

MOUNTING

MOUNTING M12 / Screw Fixing

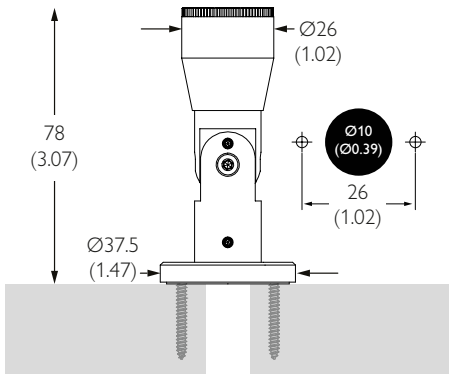
FINISHES

FINISHES Brushed Aluminium | Black RAL9005 | White RAL9010

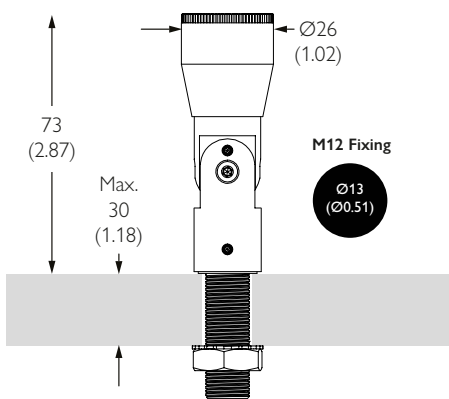
*Premium & custom finishes are built & finished to order. These are subject to an extended lead time & MOQ.

OPTICAL & STANDARDS

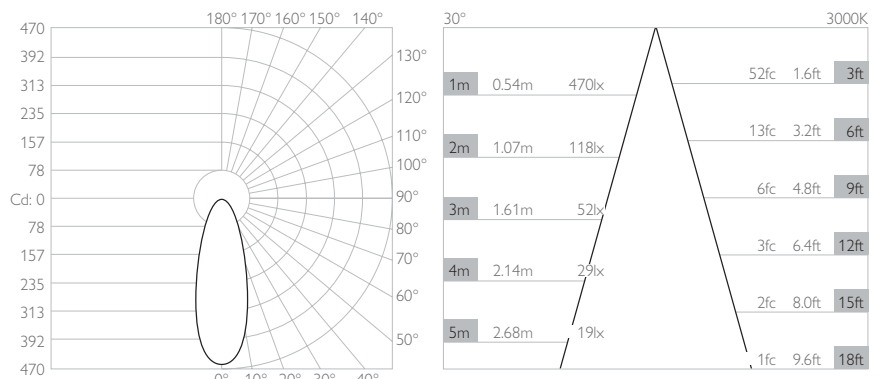
NOMINAL LUMENS 180lm	BEAM ANGLE 30°
DELIVERED LUMENS 150lm	CRI 95 TYP
COLOUR TEMPERATURE 2700K 3000K	TM-30 RF: 93 RG: 99
ACCESSORY HOLDER Integral	WARRANTY 5 Years
ACCESSORIES Snoots Lenses 20mm (0.79")	STANDARDS



mm (inches)



Photometry shown is for 3000K module. Please enquire for other CCT photometry. L90 50,000 hours.



LUMINAIRE FINISH

	White 9010	Black 9005	Brushed Aluminium	Rubbed Bronze*	Polished Brass*	Brushed Brass*
Surface Mounting	MPN-798-WH-XX9530	MPN-798-BK-XX9530	MPN-798-AL-XX9530			
M12 Mounting	M12-798-WH-XX9530	M12-798-BK-XX9530	M12-798-AL-XX9530			

*All premium & custom finishes are built & finished to order. These are subject to an extended lead time & MOQ

For 3000K Substitute XX with 30

For 2700K Substitute XX with 27

FLOOD



TECHNICAL DESCRIPTION

Pico Plus is a Constant Current single source LED spotlight that is machined from aerospace grade aluminium 6063-T6 and comes as standard in white, black and brushed aluminium. It has three site-changeable optics for flexible beam distribution and is fully adjustable with lockable 360° pan and 180° tilt. The flood beam in our 2.24W 180lm module has a peak intensity of 163cd.

MECHANICAL & ELECTRICAL

CATEGORY IP20	WATTAGE 2.24W
MATERIAL Machined AL 6063-T6	FORWARD VOLTAGE 3.2V
PAN 360°	SUPPLY TYPE Constant Current
TILT 180°	DRIVER LOCATION Remote
LOCKABLE Pan & Tilt	DIMMING DALI 0-10V 1-10V
WEIGHT 62g 0.14lb	

MOUNTING

MOUNTING M12 / Screw Fixing

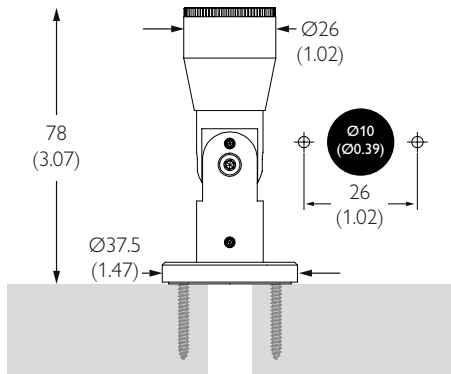
FINISHES

FINISHES Brushed Aluminium | Black RAL9005 | White RAL9010

*Premium & custom finishes are built & finished to order. These are subject to an extended lead time & MOQ.

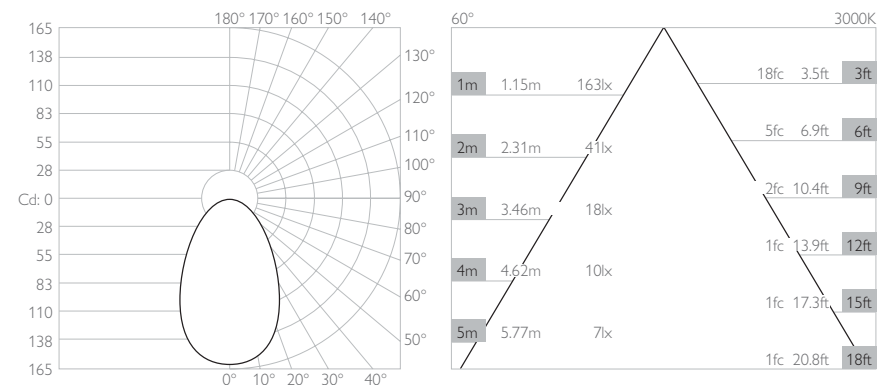
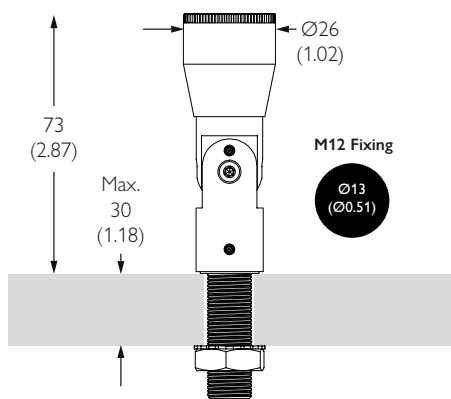
OPTICAL & STANDARDS

NOMINAL LUMENS 180lm	BEAM ANGLE 60°
DELIVERED LUMENS 163lm	CRI 95 TYP
COLOUR TEMPERATURE 2700K 3000K	TM-30 RF: 93 RG: 99
ACCESSORY HOLDER Integral	WARRANTY 5 Years
ACCESSORIES Snoots Lenses 20mm (0.79")	STANDARDS



mm (inches)

Photometry shown is for 3000K module. Please enquire for other CCT photometry. L90 50,000 hours.



LUMINAIRE FINISH

	White 9010	Black 9005	Brushed Aluminium	Rubbed Bronze*	Polished Brass*	Brushed Brass*
Surface Mounting	MPN-798-WH-XX9560	MPN-798-BK-XX9560	MPN-798-AL-XX9560			
M12 Mounting	M12-798-WH-XX9560	M12-798-BK-XX9560	M12-798-AL-XX9560			

*All premium & custom finishes are built & finished to order. These are subject to an extended lead time & MOQ

For 3000K Substitute XX with 30

For 2700K Substitute XX with 27

DRIVER COMPATIBILITY

20W | DIMMING: DALI OR 0-10V

NO. OF LIGHTS PER DRIVER 1 to 8 in series
 MIN DIM LEVEL 0.1%
 VOLTAGE REGION 230V
 FOR NORTH AMERICA No
 WATTAGE 20W
 SUPPLY TYPE Constant Current
 DRIVER LOCATION Remote
 MANUFACTURER Eldoled



DALI CODE PSCC-20-700-D-EL
 0-10V CODE PSCC-20-700-A-EL

LENGTH 160mm (6.30") WIDTH 41mm (1.63") HEIGHT 30mm (1.18")



30W | DIMMING: DALI OR 0-10V

NO. OF LIGHTS PER DRIVER 1 to 12 in series
 MIN DIM LEVEL 0.1%
 VOLTAGE REGION 120V
 FOR NORTH AMERICA Yes
 WATTAGE 30W
 SUPPLY TYPE Constant Current
 DRIVER LOCATION Remote
 MANUFACTURER Eldoled



DALI CODE USCC-30-700-D-EL-ENC
 0-10V CODE USCC-30-700-A-EL-ENC

LENGTH 348mm (13.7") WIDTH 65mm (2.6") HEIGHT 47mm (1.9")



12W | DIMMING: PHASE

NO. OF LIGHTS PER DRIVER 2 to 5 in series
 MIN DIM LEVEL 1%
 VOLTAGE REGION 120V
 FOR NORTH AMERICA Yes
 WATTAGE 12W
 SUPPLY TYPE Constant Current
 DRIVER LOCATION Remote
 MANUFACTURER Hatch



PHASE CODE USCC-12-700-P-HT-ENC

LENGTH 247mm (9.7") WIDTH 65mm (2.6") HEIGHT 47mm (1.9")

