



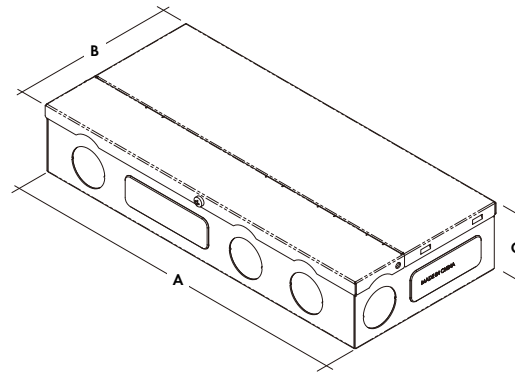
Features

- IP20 rating for dry location only
- Constant voltage output
- Input Voltage: 120-277VAC
- Isolated dimming circuit, dimmable with 0-10V dimmer
- Dim-to-off, with minimum dimming percentage: 5%
- Flicker-free dimming
- Cooling by free air convection
- Full protection metal case
- Auto reset breakers, from short circuit, overloading, & over temperature
- 5 year Warranty

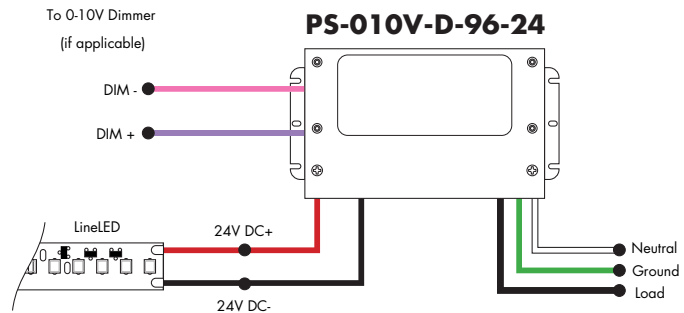
Technical Information

Electrical Parameters		PS-010V-D-96-24	
ELECTRICAL	Voltage/Frequency	120-277V AC @ 50/60Hz	
	Inrush Current	80A @ 277V	
	Power Factor	> 0.94 @120V/277 AC with 80%-100% load condition	
	Efficiency	83% @ 120V 86% @ 277V	
	Maximum Input Current	1.05A @ 120V 0.45A @ 277V	
	Maximum Output Power	96W	
	Maximum Output Current	4.0A	
	Output Voltage	24V DC	
DIMENSIONS	Length	A	8.29"
	Width	B	4.10"
	Height	C	1.59"
Net. Weight		2.20 lb	
Operating Temperature		-40° - 140°F	

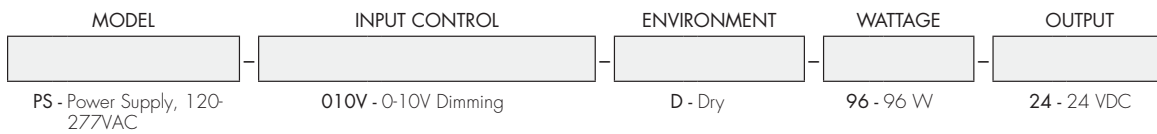
Product Dimensions



General Wiring Diagram



Ordering Code



0-10V - 5% dimming

Compatibility:
View a complete list of compatible dimmers on product page ([link](#))