

# PRECISION LIGHTING

## instruction manual

### Pico

Pico is a small display 95 CRI LED luminaire offering lockable 360° bearing aided rotation and 180° tilt that offers two mounting options, surface screw or M12 fastening.

Pico	2.2W	180lm
Pico Zoom	2.2W	180lm
Pico Plus	2.2W	180lm
Pico Long Snoot	2.2W	180lm
Pico S	2.2W	180lm
Pico Zoom S	2.2W	180lm
Pico Plus S	2.2W	180lm
Pico Long Snoot S	2.2W	180lm

These instructions cover procedures for all versions of Pico including:

- Pico
- Pico Zoom
- Pico Plus
- Pico Long Snoot
- Pico S
- Pico Zoom S
- Pico Plus S
- Pico Long Snoot S

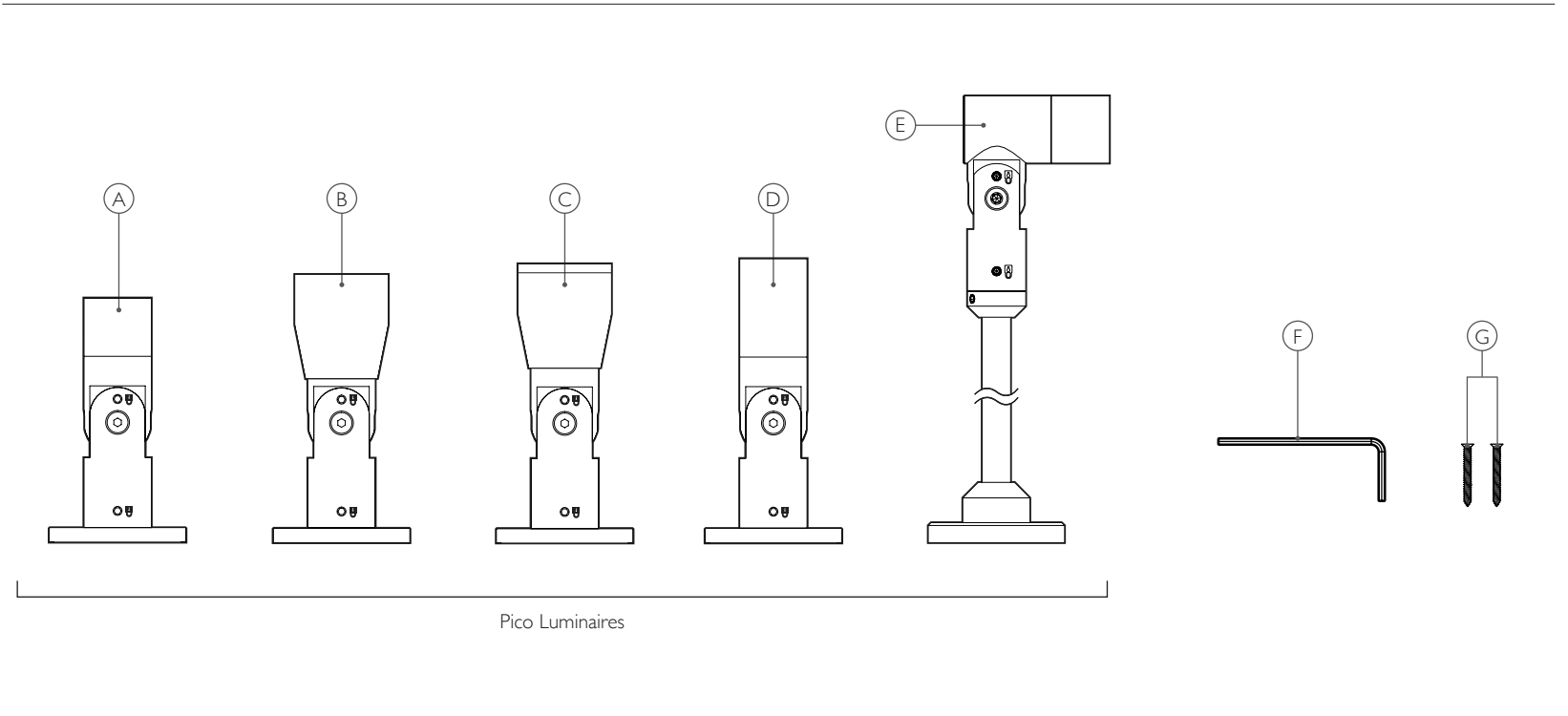


42 RIVERSIDE ROAD | LONDON | SW17 0BA | UK  
 t. +44 (0) 20 8947 6616 | sales@precisionlighting.co.uk  
 f. +44 (0) 20 8286 6626 | www.precisionlighting.co.uk  
 © 2020 Precision Lighting Ltd. We reserve the right to change details of design, materials and finish. Version 1.0

### KEY PRODUCT FEATURES

A	Pico	E	Pico S
B	Pico Zoom	F	Hex Key
C	Pico Plus	G	Screws
D	Pico Long Snoot		

COMPATIBLE POWER SUPPLY	ORDER CODE	MAX LUMINAIRE QUANTITY
Eldoled 20W 0-10V	PSCC-20-700-A-EL	8
Eldoled 30W 0-10V	PSCC-30-700-A-EL	13
Eldoled 20W DALI	PSCC-20-700-D-EL	8
Eldoled 30W DALI	PSCC-30-700-D-EL	13



## IMPORTANT SAFETY INFORMATION

READ ALL INSTRUCTIONS BEFORE USING THESE PRODUCTS. SAVE THESE INSTRUCTIONS FOR LATER REFERENCE.

1. All systems must be installed by a suitably qualified professional only. Installations must conform to national installation and accident prevention regulations.
2. Do not install any fixture closer than 150mm from any combustible material. Do not install these products in a damp or wet location.
3. To reduce the risk of fire and burns, do not install these products where exposed bare conductors can be shorted or contact any conductive materials. Do not conceal or extend exposed conductors through a building wall.
4. Ensure all connections are tight. Bad connections can cause overheating, arcing and a potential fire risk.
5. Always use appropriate optics and ensure they are fitted securely.
6. Use only as described in this Precision Lighting manual.
7. Use only Precision Lighting recommended accessories.
8. Ensure that the luminaire is switched off at mains supply before installing or removing.
9. Luminaires may be extremely hot, allow to cool before touching.
10. These are LED luminaires, they must be connected to an appropriate PSU.
11. Regular cleaning of these products is important. Switch off at mains supply and allow to cool before touching. Clean fittings with a soft damp cloth and allow to dry before reconnecting power supply

## 1. Installing the luminaire

**WARNING** switch off power to mains before installation.

### IA. 2 SCREW FIXING INSTALLATION

Cut hole  $\varnothing 10\text{mm}$  (Slightly more than 3/8 inch). Cut 2 pilot holes for screws 26mm apart as per adjacent drawing.

Feed mains cable through hole and insert rear of fixture into hole. Secure in place using two screws provided.

Replace decorative cover onto fixture.

### IB. M12 FIXING INSTALLATION

Cut hole  $\varnothing 13\text{mm}$  (just over 15/32 inch).

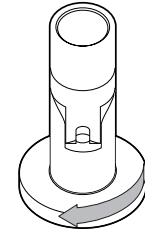
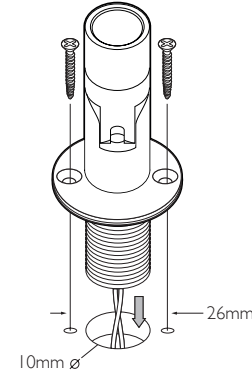
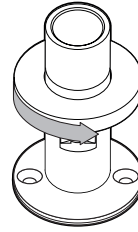
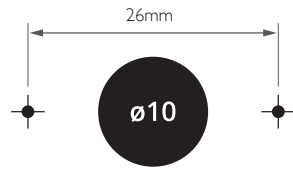
Feed mains cable through hole and insert rear of fixture into hole.

**NOTE:** You will need **rear access** in order to secure it into place.

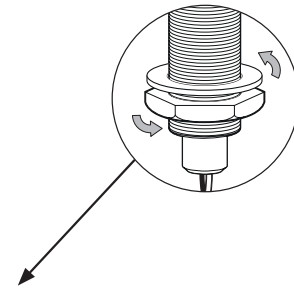
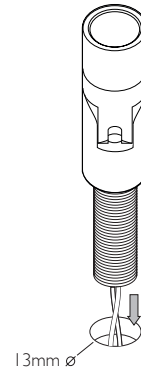
Put on washer and then screw on M12 nut provided to fasten tightly to secure fixture in place.

Replace decorative cover onto fixture.

## IA. 2 Screw Fixing Installation



## IB. M12 Fixing Installation



## 2. Electrical Installation

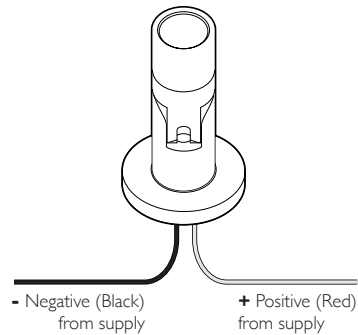
**WARNING** switch off power to mains before installation.

**NOTE:** Due to fixture size, drivers must be located remotely; cut out is too small for dimmable drivers to pass through.

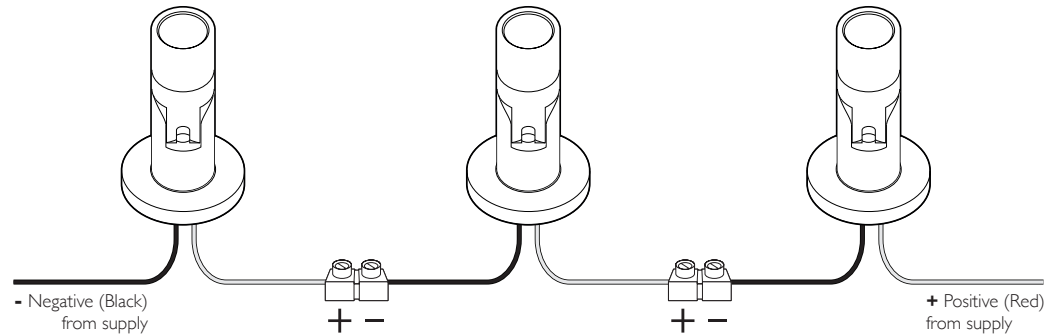
Pico luminaires are polarity sensitive, Red is positive and Black is negative.

When installing more than one Pico luminaires in a circuit, ensure circuit is **wired in series**. Do not use more than the stated number of luminaires per driver.

### 2. SINGLE PICO



### MULTIPLE PICO LUMINAIRES - MUST BE WIRED IN SERIES



**WARNING** Do not connect or disconnect under load.

Ensure driver has not been powered for a minimum of 1 minute before reconnecting the LED module after disconnecting. **Do not hot plug.** Failure to this instruction will lead to serious damage of the LED module and driver and will not be covered by warranty.

**Note:** Maintain correct polarity when wiring. Incorrect wiring will cause serious damage and will not be covered by warranty. Must be installed according to SELV regulations.

Wire specification: 24 AWG, double insulated teflon wire.

Red = Positive Black = Negative

### 3. Changing the Optic and Snoot

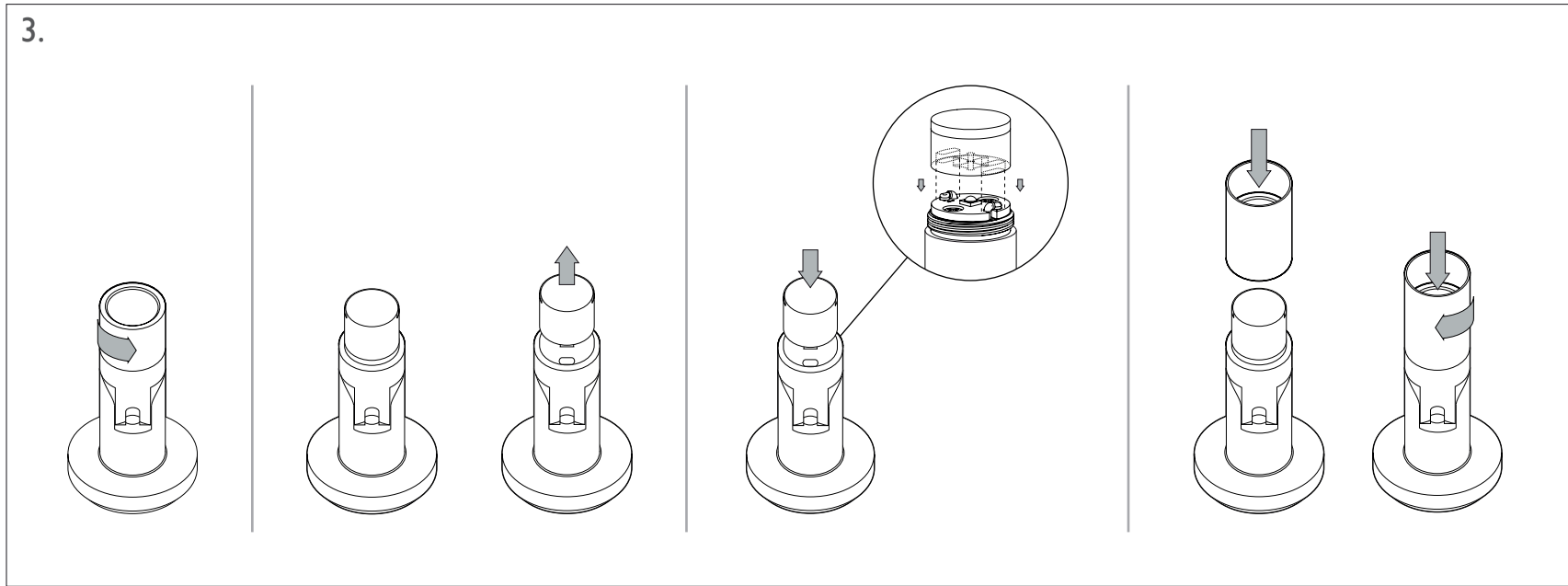
**WARNING** switch off power to mains before installation.

To remove snoot, rotate snoot anti-clockwise and lift off.

Once snoot has been removed, the optic can be changed. Remove optic from PCB.

To install new optic, align optic base slots with the PCB and set into place.

Then place chosen snoot over optic and rotate clockwise to securely fix to luminaire. There should be no gap between the snoot and the luminaire body.



### 4. Locking Pan & Tilt

**NOTE** Only adjust luminaire position when unlocked.

Adjust luminaire to desired position. To lock into place, insert hex key provided into pan and tilt holes then rotate hex key clockwise.

### 5. Adjusting the beam angle (Zoom only)

**WARNING** If luminaire has been switched on, it may be hot.

**NOTE** maximum 6mm travel, do not forcefully pull beyond this point.

Gently pull the head of the fixture outwards in order to widen the beam.

Gently push the head back towards the fixture in order to make the beam narrower.

