



Features

- PDCU-W with IP66 rating for wet and dry locations
- PDCU-D with IP20 rating for dry location only
- Constant voltage output
- Input Voltage: 120-277VAC
- Compatible with Triac, MLV, ELV, 0-10V, & PWM Dimmers
- Flicker-free dimming
- Cooling by free air convection
- Full protection metal case
- Auto reset breakers, from short circuit, overloading, & over temperature
- 5 year Warranty

Technical Information

IP66 MODEL		PDCU-W-30-24	PDCU-W-60-24	PDCU-W-96-24	PDCU-W-3x96-24	
ELECTRICAL	Voltage / Frequency	120-277V AC @ 50/60Hz	120-277V AC @ 50/60Hz	120-277V AC @ 50/60Hz	120-277V AC @ 50/60Hz	
	Inrush Current	14.8A, Peak, 270µs @ 120V 38.0A, Peak, 250µs @ 277V	18.4A, Peak, 300µs @ 120V 46.4A, Peak, 250µs @ 277V	33.6A, Peak, 750µs @ 120V 62.4A, Peak, 1000µs @ 277V	64.0A, Peak, 750µs @ 120V 76.8A, Peak, 1000µs @ 277V	
	Power Factor	0.99 @120V AC, 0.95 @277V AC	0.98 @120V AC, 0.95 @277V AC	0.98 @120V AC, 0.95 @277V AC	0.99 @120V AC, 0.95 @277V AC	
	Efficiency	0.79 @ 120V 0.80 @ 277V	0.83 @ 120V 0.84 @ 277V	0.83 @ 120V AC, 0.86 @ 277V AC	0.87 @120V AC, 0.91 @ 277V AC	
	Maximum AC Current	0.5A @ 100V AC	0.9A @ 100V AC	1.3A @ 100V AC	3.4A @ 100V AC	
	Maximum Output Power	30W	60W	96W	3x96W	
	Maximum Output Current	1.25A	2.5A	4.0A	3x4.0A	
	Output Voltage	24V DC	24V DC	24V DC	24V DC	
DIMENSIONS	Length	A	6.50"	7.40"	8.66"	11.85"
	Width	B	3.73"	3.73"	3.73"	4.32"
	Height	C	1.61"	1.61"	1.61"	1.81"
	Net. Weight		2.0 lb	2.4 lb	2.8 lbs	5.2 lbs
Operating Temperature		-22° - 140°F				



IP20 MODEL		PDCU-D-30-24	PDCU-D-60-24	PDCU-D-96-24	PDCU-D-3x96-24	
ELECTRICAL	Voltage / Frequency	120-277V AC @ 50/60Hz	120-277V AC @ 50/60Hz	120-277V AC @ 50/60Hz	120-277V AC @ 50/60Hz	
	Inrush Current	14.6A, Peak, 260µs @ 120V 38.0A, Peak, 250µs @ 277V	16.4A, Peak, 250µs @ 120V 43.0A, Peak, 250µs @ 277V	25.2A, Peak, 260µs @ 120V 60.0A, Peak, 300µs @ 277V	22.6A, Peak, 2500µs @ 120V 60.0A, Peak, 2000µs @ 277V	
	Power Factor	0.99 @120V AC, 0.95 @277V AC	0.98 @120V AC, 0.95 @277V AC	0.99 @120V AC, 0.95 @277V AC	0.99 @120V AC, 0.95 @277V AC	
	Efficiency	0.72 @ 120V 0.74 @ 277V	0.82 @ 120V 0.87 @ 277V	0.85 @ 120V 0.89 @ 277V	0.87 @120V, 0.91 @ 277V	
	Maximum Input Current	0.35A @ 120V 0.17A @ 277V	0.63A @ 120V 0.30A @ 277V	0.98A @ 120V 0.45A @ 277V	3.4A @ 100V AC	
	Maximum Output Power	30W	60W	96W	3x96W	
	Maximum Output Current	1.25A	2.5A	4.0A	3x4.0A	
	Output Voltage	24V DC	24V DC	24V DC	24V DC	
DIMENSIONS	Length	A	6.10"	7.93"	8.25"	9.57"
	Width	B	3.35"	3.35"	4.10"	5.94"
	Height	C	1.33"	1.32"	1.56"	1.13"
	Net. Weight		1.10 lb	1.54 lb	2.20 lb	4.25 lbs
Operating Temperature		-40° - 140°F				

Ordering Code

MODEL	POWER	OUTPUT
PDCU-W	96	24

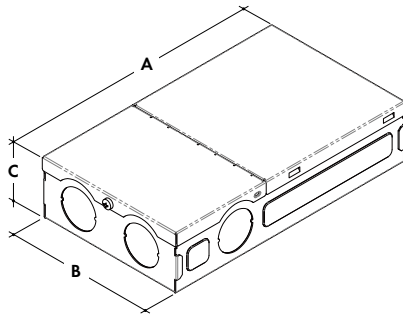
PDCU-W - IP66 Wet Series 30 - 30 W 24 - 24 VDC
 60 - 60 W
 96 - 96 W
 3X96 - 3X96 W

PDCU-D - IP20 Dry Series

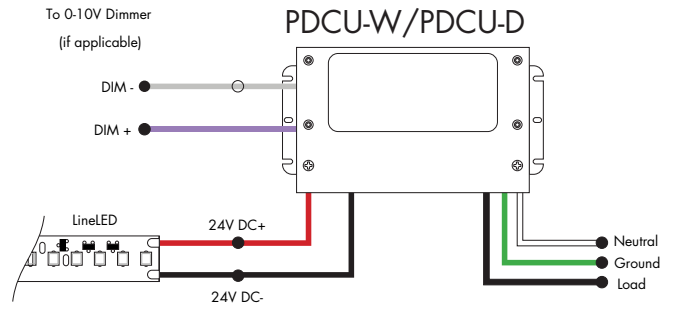
0-10V - 1% dimming
 MLV/ELV/TRIAC - 1% dimming, consult dimming compatibility chart

Compatibility:
 View a complete list of compatible dimmers on product page ([Link](#))

Product Dimensions



General Wiring Diagram



Note: Over the white, green, and black wires, connect to ELV and MLV dimmer.