

Myka - Installation Instructions

Models MK-XX



7777 Merrimac Ave
Niles, IL 60714
T 224.333.6033
F 224.757.7557
info@luminii.com
www.luminii.com

REVO.2
06062024

1 / 2

Please read all instructions prior to installation and keep for future reference!

1. PRODUCT TO BE INSTALLED BY A QUALIFIED ELECTRICIAN.
2. USE ONLY WITH CLASS 2 POWER UNIT.
3. 24 VOLTS DC.
4. SUITABLE FOR DAMP LOCATIONS.
5. SURFACE MOUNT ONLY
6. SUITABLE FOR INSTALLATION WITHIN THE CLOSET STORAGE SPACE.
7. INHERENTLY PROTECTED

1

Make marks 4" from each end of the fixture(s) and also every 24" in between.

measure & then mark reference points

Note: Complete fixture must be built prior to installing. To make all necessary reference marks & to also ensure all parts are included. Then it can be taken apart for installation.

1.1 Snap lens into the extrusion, then align & center the extrusion to the determined location. Make all necessary markings to install to the surface. Prior to installation of extrusion, 24VDC power must be present. Make marks 4" from each end of the fixture(s) and also every 24" in between.

2

Caution: Safety equipment is recommended, when modifications are being made to the extrusion & lens.

2.1 If necessary extrusion, lens, & mounting channel (if applicable) can be cut in the field. Snap all parts together, then using the proper blade for aluminum, cut to the desired length.

3

3.1 LineLED can be shortened by cutting along the dashed lines in between the solder pads. Make sure the cut is made on the side of the LineLED without the wire leads. LineLED cannot touch the metal endcap which will shorten the circuit.

4

remove paper backing from the adhesive tape of the LineLED before installing the extrusion

4.1 Prior to installing LineLED to extrusion, clean extrusion from any debris. Gently push LineLED onto aluminum extrusion. Then install endcaps at each ends of the extrusion.

5

5.1 Remove the protective film from the diffuser lens. Snap the diffuser lens into the aluminum extrusion.

Note If you are installing the Myka blade louver, please install carefully. Once the blade louver is installed, it cannot be removed without damaging it.

6

For Concealed Bracket Mounting Installation

6.1 Screw mounting brackets into previously made markings from step 1, then clip the extrusion on to the mounting brackets.

Myka - Installation Instructions

Models MK-XX

Please read all instructions prior to installation and keep for future reference!

1. PRODUCT TO BE INSTALLED BY A QUALIFIED ELECTRICIAN.
2. USE ONLY WITH CLASS 2 POWER UNIT.
3. 24 VOLTS DC.
4. SUITABLE FOR DAMP LOCATIONS.
5. SURFACE MOUNT ONLY
6. SUITABLE FOR INSTALLATION WITHIN THE CLOSET STORAGE SPACE.
7. INHERENTLY PROTECTED



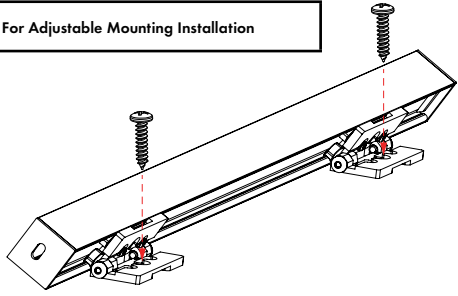
REVO.2
06062024

2 / 2



7777 Merrimac Ave
Niles, IL 60714
T 224.333.6033
F 224.757.7557
info@luminii.com
www.luminii.com

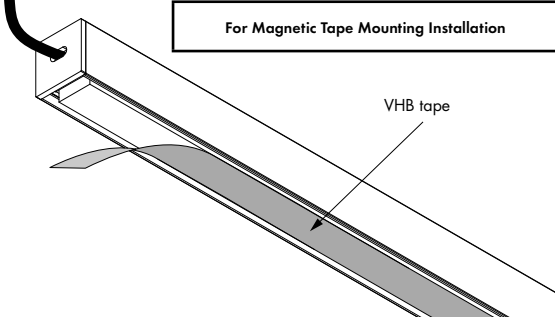
7 For Adjustable Mounting Installation



7.1 Determine the location of the fixture. Then secure the fixture to the surface using the provided mounting screws.

7.2 Rotate the fixture to the desired angle then tighten the side screws to secure.

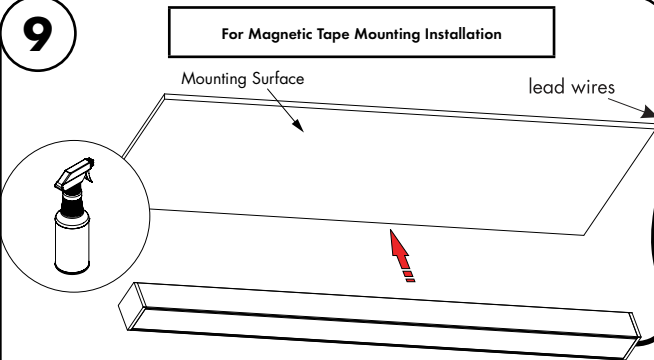
8 For Magnetic Tape Mounting Installation



8.1 Determine the location of the fixture. Must be made of steel or a ferrous metal. Clean the surface area thoroughly from any debris.

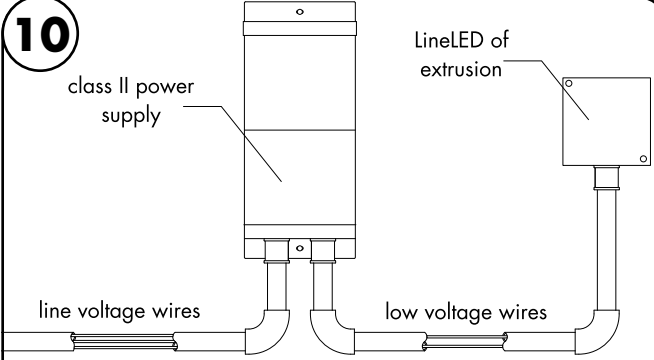
8.2 Remove VHB backing film to expose adhesive.

9 For Magnetic Tape Mounting Installation



9.1 Make sure that surface is cleaned and free of debris. Use a cleaner safe for the surface it is being installed on and make sure surface is dry before pressing fixture to surface.

10



class II power supply

line voltage wires

low voltage wires

LineLED of extrusion

10.1 Ensure the correct (wattage & voltage) power supply is used to power LineLED. Then proceed to connect LineLED wires from extrusion to power supply. For more information please refer to power supply and LineLED wiring instructions.