

Features

The Myka Recessed Trimless premium extrusion platform has been specifically designed for seamless continuous lines of light. With field cuttable extrusion and pre-welded corner configurations, this flush mud-in mounted extrusion can be used on drywall applications in a wide variety of configurations. Multiple diffuser lens options allow for great flexibility and adaptability for any application. Channels come included with end caps.

Finish

Silver anodized, White, Black, Bronze

Diffuser Lens

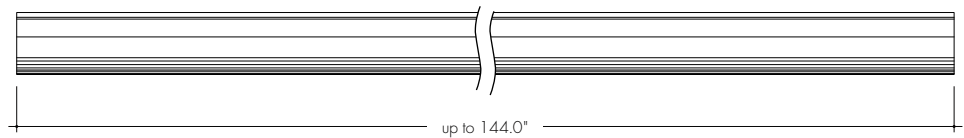
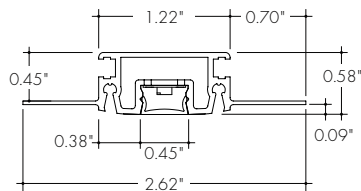
Polycarbonate, snap-in-place, UV resistant

Mounting

Integrated mud-in flange to be used with Number 6 size screws

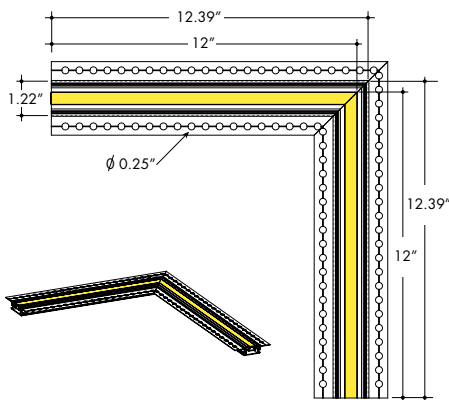


Product Dimensions



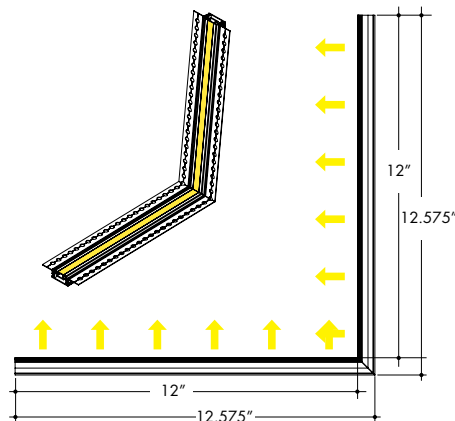
Myka Recessed Trimless Corner Dimensions

MKLC-FC-90 Flat Corner



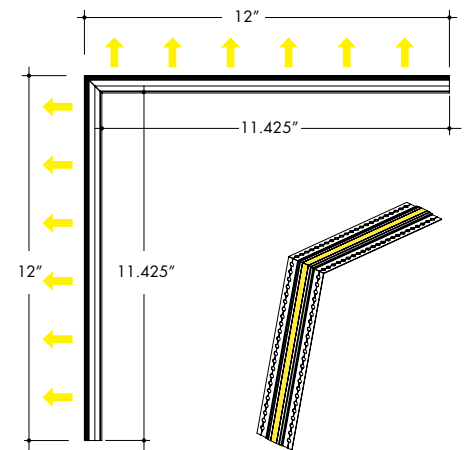
Light dimension is 12" x 12". Actual slot cut-out dimension is also shown.

MKLC-IC-90 Inner Corner



Light dimension is 12" x 12". Actual slot cut-out dimension is also shown.

MKLC-OC-90 Outside Corner



Light dimension is 12" x 12". Actual slot cut-out dimension is also shown.

Included Mounting Screws

Extrusion Length	48"	72"	96"	120"	144"	FC-90	IC-90	OC-90
Number of Screws	8	12	16	18	20	4	4	4

Ordering Code

MODEL	LENGTH	LENS	MOUNTING ²	FINISH
MKLC-Myka Recessed Trimless Channel ¹	48-48" 72-72" 96-96" ³ 120-120" ³ 144-144" ³ FC-90-Flat coner, 90°, 12"x12" ⁴ IC-90-Inside coner, 90°, 12"x12" ⁴ OC-90 Outside coner, 90°, 12"x12" ⁴	C-Clear F-Frosted HF-Half Frosted MF-Matte Frosted BLV-Black Blade Louver WLW-White Blade Louver	MF-Mounting Flange	MILL-Mill Finish

1 - Two End Caps are included with channel. Order additional End Caps as necessary.

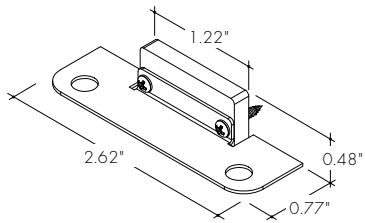
2 - Mounting screws are included with channel. Refer to chart above for provided mounting screw quantities.

3 - For Channels and Lenses over 90°, incremental shipping charges will apply.

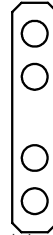
4 - Custom Corner angle are available upon request.

Accessory Options

EC-MKLC-F-H3.
Endcap, mill finish



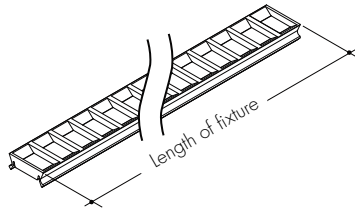
MCAL-SJ
Straight Joiner, 1 set of 2 needed per connection



One set of two is included per extrusion. Order additional as necessary

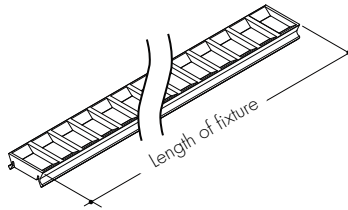
Regressed Blade Louver

LV-BL-MKC-12-BK
Blade Louver reduces glare at high angle in two directions
Also available with complete fixture, use ordering code
-BLV



This Black louver/lens combo comes in 12" increments and sits in place of a Myka lens, not in addition to.

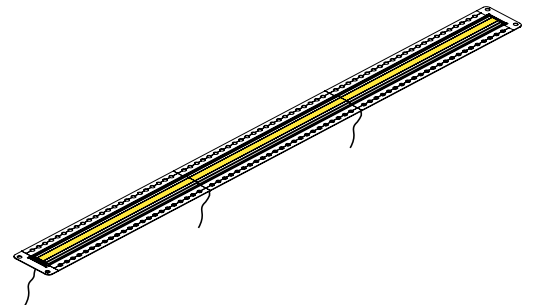
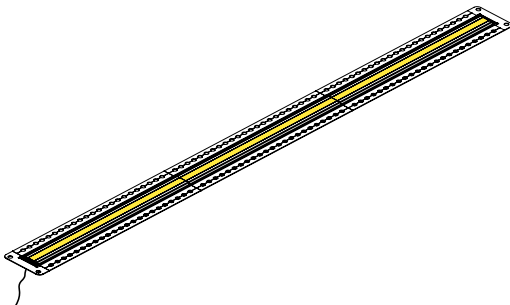
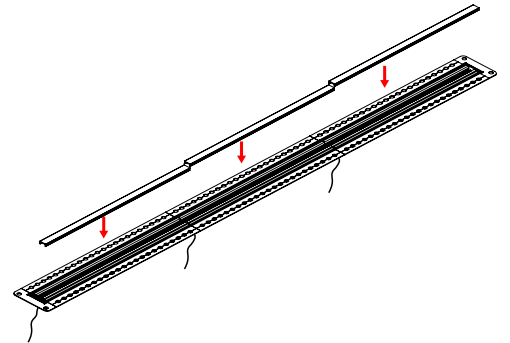
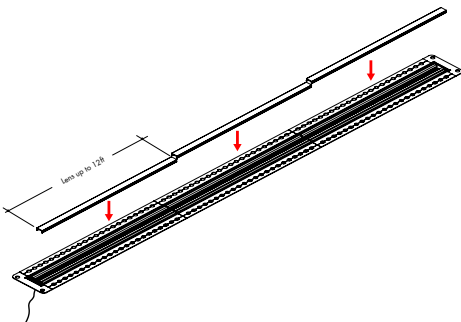
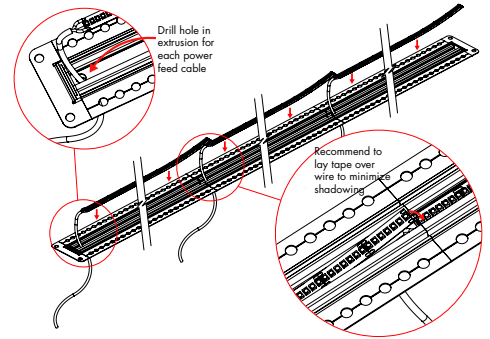
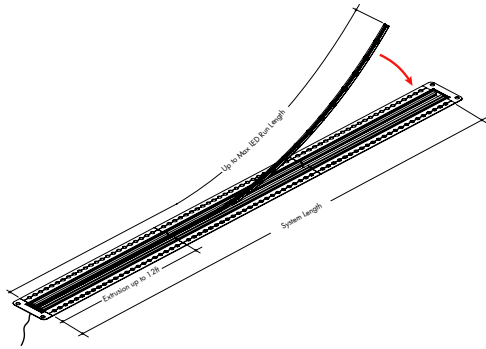
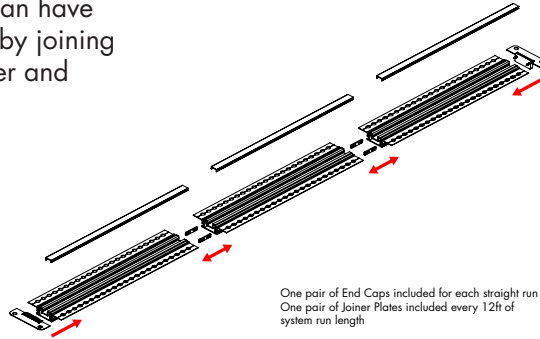
LV-BL-MKC-12-WH
Blade Louver reduces glare at high angle in two directions
Also available with complete fixture, use ordering code
-WLV



This White louver/lens combo comes in 12" increments and sits in place of a Myka lens, not in addition to.

Sample Layout

Myka Recessed Trimless can have seamless continuous runs by joining multiple extrusions together and laying in LED tape(s).



Sample Layout

