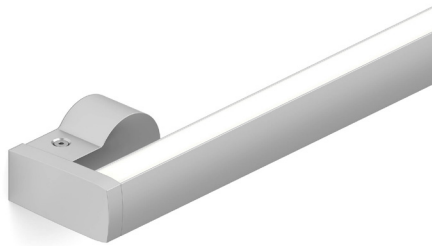
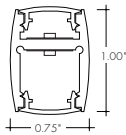


**Features**



- Extruded aluminum linear wall mount system providing both direct and indirect light.
- 24VDC Class 2 fixtures made to order up to 96".
- Suitable for wall mount applications
- Class 2 listed for damp locations
- Dot free even illumination
- Direct lumens output is 42.5% of total lumens output from Technical Information.
- High Color Quality options offer premium quality and vibrant colors with R9 values up to 97
- High Efficacy options offer best in class output and efficacy with over 780 lm/ft and up to 55 lm/W
- Proprietary strong bond solder method handles up to 50 lbs of pull force on wire leads and connectors
- 5 Year warranty



**Finish Options** (see page 2 for additional information)

- |                 |             |               |
|-----------------|-------------|---------------|
| Silver Anodized | White       | Aged Brass    |
| Black           | Matte Black | Polished Gold |
| Bronze          | Warm Nickel | Chrome        |



**Technical Information**

MODEL	High Color Quality			High Efficacy				High Efficacy
	72SO	72HO	72VHO	HE48LO	HE48SO	HE48MO	HE48HO	HE64VHO
<b>OUTPUT OPTIONS</b>								
<b>Lumens Output (3000K)</b> <small>(with a Frosted Lens)</small>	215 lm/ft	349 lm/ft	425 lm/ft	209 lm/ft	290 lm/ft	387 lm/ft	621 lm/ft	786 lm/ft
<b>Average Power Consumption</b> <small>(for a 4' section)</small>	5.6 W/ft	9.6 W/ft	12 W/ft	3.8 W/ft	5.6 W/ft	7 W/ft	13 W/ft	15 W/ft
<b>Efficacy</b>	38 lm/W	36 lm/W	35 lm/W	55 lm/W	52 lm/W	55 lm/W	48 lm/W	52 lm/W
<b>Max Run Length</b> <small>(in series)</small>	20 ft	16 ft	11 ft	24 ft	21 ft	17 ft	12 ft	8 ft
<b>Max Ambient Temperature*</b>	50°C [122°F]	40°C [104°F]	30°C [95°F]	50°C [122°F]			30°C [95°F]	25°C [77°F]

\*Max Ambient Temperature to maintain L70 of 50k+ hours. Exceeding Max Ambient Temperature may result in decreased life/output. Consult Technical Support for specific inquiries.

**High Color Quality (72)**

CCT	Multiplier <small>(reference - 3000K)</small>	TM-30			
		CRI	R <sub>f</sub>	R <sub>g</sub>	R <sub>9</sub>
1900K	0.55	96	94	97	90
2200K	0.70	96	95	101	89
2400K	0.72	98	97	101	91
2700K	0.74	97	96	101	91
3000K	1.00	97	95	104	97
3500K	1.02	97	94	105	97
4100K	1.07	97	90	99	97

**High Efficacy (HE48/HE64)**

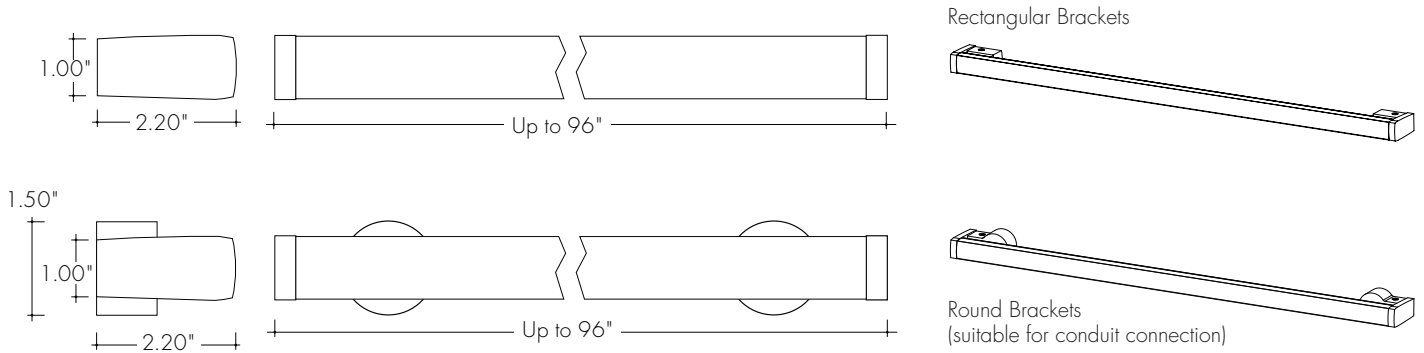
CCT	Multiplier <small>(reference - 3000K)</small>	TM-30			
		CRI	R <sub>f</sub>	R <sub>g</sub>	R <sub>9</sub>
2200K	0.73	92	91	97	42
2500K	0.81	93	96	96	62
2700K	0.94	92	90	99	58
3000K	1.00	92	89	99	57
3500K	1.02	92	89	99	60
4000K	1.02	92	86	94	71

**Ordering Code**

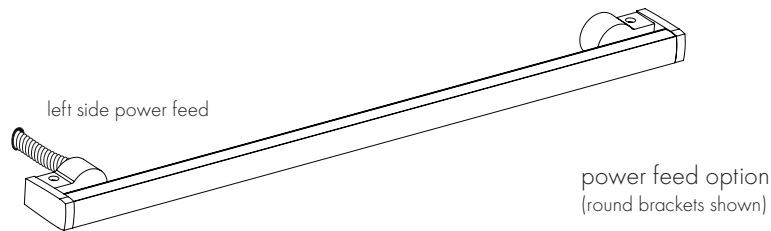
MODEL	LENGTH <sup>1</sup>	OUTPUT	CCT	LENS <sup>2</sup>	MOUNTING	FINISH <sup>3</sup>	POWERFEED
LUCW - Luceo Wall	24" - 96" 1" increments	72SO - Standard 72HO - High 72VHO - Very High	19K - 1900K 22K - 2200K 24K - 2400K 27K - 2700K 30K - 3000K 35K - 3500K 41K - 4100K	F - Frosted	RND - Round Brackets REC - Rectangle Brackets	SA - Silver Anodized BK - Black BZ - Bronze WH - White MBK - Matte Black WN - Warm Nickel AB - Aged Brass PG - Polished Gold <sup>4</sup> CH - Chrome <sup>4</sup>	R - Right Back L - Left Back
	24" - 96" 2" increments	HE48LO - Low HE48SO - Standard HE48MO - Medium HE48HO - High HE64VHO - Very High	22K - 2200K 25K - 2500K 27K - 2700K 30K - 3000K 35K - 3500K 40K - 4000K				

1 - Custom lengths and increments are available, please consult Inside Sales with specific request.  
 2 - All High Efficacy options can be used to comply with Title 24 JAB. High Color Quality options can be used to comply with Title 24 JAB depending on Output, CCT, and lens selections. See multiplier charts to calculate specific efficacies.  
 3 - Non SA finishes may have extended lead times. Custom RALs are available, please consult Inside Sales with specific request.  
 4 - Polished Gold finishes have a maximum fixture length of 48", and Chrome finishes have a maximum fixture length of 72".

**Product Dimensions**



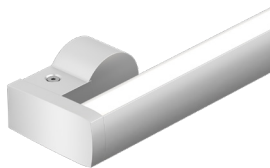
**Power Feed Options**



**Finish Options**

- Finish options are available in a wide variety, allowing for complete customization of style and aesthetic.
- Non Silver Anodized finishes may have extended lead times.
- Polished Gold finishes have a maximum fixture length of 48", and Chrome finishes have a maximum fixture length of 72".
- Custom RALs are available, please consult Inside Sales with specific request.

**Silver Anodized**



Silver Anodized is a soft silver with a clear finish.

**Black**



Black is a true deep black with a glossy finish.

**Bronze**



Bronze is a rich, dark brown with a satin finish.

**White**



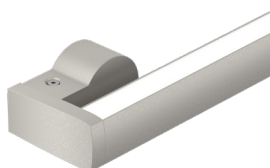
White is a polar bright white and field paintable.

**Matte Black**



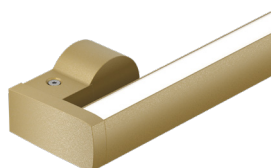
Matte Black is a dark, pitch-black with a soft flat finish.

**Warm Nickel**



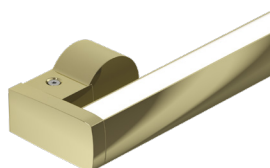
Warm Nickel is a soft, silvery smoke with warm tones and a satin finish.

**Aged Brass**



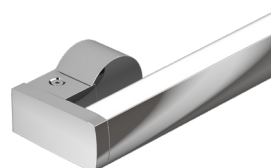
Aged Brass is a deep brown shade with slightly golden undertones.

**Polished Gold**



Polished Gold is bright and radiant for a brilliant finish.

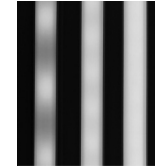
**Chrome**



Chrome is a highly reflective silver polish.

Light Transmission and Dotting

Output Options	Lens/Accessory
	Frosted
72SO	ND
72HO	ND
72VHO	ND
HE48LO	ND
HE48SO	ND
HE48MO	ND
HE48HO	ND
HE64VHO	ND
<b>Transmission Percentage</b>	100%

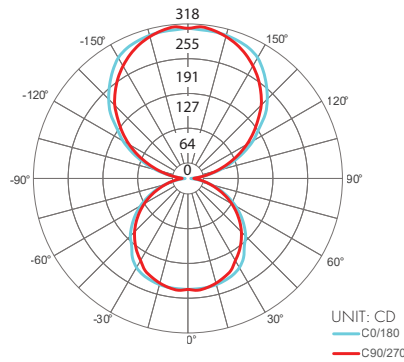


CD SD ND  
 CD - Clear Dotting  
 SD - Slight Dotting  
 ND - No Dotting

Photometry

LUC-48-72VHO-30K-F

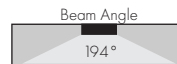
Luceo, 4ft, 3000K, VHO, Frosted Lens, Direct/Indirect Mode



Zonal Lumen Summary 3000K

Zone	Lumen	% Fixture
0-30	188	11.1%
0-40	311	18.3%
0-60	557	32.8%
0-90	723	42.5%
<b>Total</b>	<b>1699</b>	<b>100.0%</b>

Total



**Power Consumption**

Tested at Full Power with PDC Series power supplies.

Standard Nominal Lengths offered provide minimal shadowing. For alternate lengths, please consult Inside Sales with specific request.

**High Color Quality (72)**

Nominal Length (in)	Actual Length	Watts			Nominal Length (in)	Actual Length	Watts			Nominal Length (in)	Actual Length	Watts		
		SO	HO	VHO			SO	HO	VHO			SO	HO	VHO
<b>12</b>	-	-	-	-	<b>47</b>	46 7/16	20.6	32.9	42.3	<b>82</b>	81 3/16	34.3	53.1	67.5
<b>13</b>	-	-	-	-	<b>48</b>	47 10/16	21.3	33.9	43.4	<b>83</b>	82 6/16	34.7	53.6	68.8
<b>14</b>	-	-	-	-	<b>49</b>	48 12/16	21.8	34.6	44.2	<b>84</b>	83 8/16	35.2	54.4	70.7
<b>15</b>	-	-	-	-	<b>50</b>	49 15/16	22.2	35.2	45.0	<b>85</b>	84 11/16	35.5	54.9	72.0
<b>16</b>	-	-	-	-	<b>51</b>	-	-	-	-	<b>86</b>	85 13/16	35.9	55.4	72.4
<b>17</b>	-	-	-	-	<b>52</b>	51 1/16	22.7	36.2	46.3	<b>87</b>	87	36.5	56.1	73.1
<b>18</b>	-	-	-	-	<b>53</b>	52 4/16	23.1	36.8	47.1	<b>88</b>	-	-	-	-
<b>19</b>	-	-	-	-	<b>54</b>	53 6/16	23.5	37.4	48.0	<b>89</b>	88 2/16	36.9	56.6	73.5
<b>20</b>	-	-	-	-	<b>55</b>	54 9/16	24.1	38.4	49.2	<b>90</b>	89 5/16	37.3	57.1	74.0
<b>21</b>	-	-	-	-	<b>56</b>	55 12/16	24.5	39.0	50.0	<b>91</b>	90 7/16	37.7	57.6	74.4
<b>22</b>	-	-	-	-	<b>57</b>	56 14/16	25.0	39.6	50.8	<b>92</b>	91 10/16	38.3	58.4	75.3
<b>23</b>	-	-	-	-	<b>58</b>	-	-	-	-	<b>93</b>	92 12/16	38.7	59.0	76.0
<b>24</b>	23 5/16	10.2	17.1	22.6	<b>59</b>	58 1/16	25.6	40.5	52.0	<b>94</b>	93 15/16	39.1	59.7	76.7
<b>25</b>	24 7/16	10.7	17.8	23.5	<b>60</b>	59 3/16	26.1	41.1	52.8	<b>95</b>	-	-	-	-
<b>26</b>	25 10/16	11.4	18.9	24.9	<b>61</b>	60 6/16	26.5	41.7	53.6	<b>96</b>	95 1/16	39.8	60.6	77.7
<b>27</b>	26 12/16	11.9	19.7	25.7	<b>62</b>	61 8/16	27.1	42.6	54.7	<b>97</b>	-	-	-	-
<b>28</b>	27 15/16	12.3	20.5	26.6	<b>63</b>	62 11/16	27.5	43.1	55.4	<b>98</b>	-	-	-	-
<b>29</b>	-	-	-	-	<b>64</b>	63 13/16	27.9	43.7	56.1	<b>99</b>	-	-	-	-
<b>30</b>	29 1/16	13.1	21.6	27.8	<b>65</b>	65	28.5	44.5	57.1	<b>100</b>	-	-	-	-
<b>31</b>	30 4/16	13.6	22.4	28.7	<b>66</b>	-	-	-	-	<b>101</b>	-	-	-	-
<b>32</b>	31 6/16	14.0	23.1	29.6	<b>67</b>	66 2/16	28.9	45.0	57.8	<b>102</b>	-	-	-	-
<b>33</b>	32 9/16	14.7	24.1	31.0	<b>68</b>	67 5/16	29.3	45.5	58.4	<b>103</b>	-	-	-	-
<b>34</b>	33 12/16	15.1	24.7	31.9	<b>69</b>	68 7/16	29.6	45.9	59.1	<b>104</b>	-	-	-	-
<b>35</b>	34 14/16	15.5	25.4	32.8	<b>70</b>	69 10/16	30.2	46.5	60.0	<b>105</b>	-	-	-	-
<b>36</b>	-	-	-	-	<b>71</b>	70 12/16	30.5	47.0	60.6	<b>106</b>	-	-	-	-
<b>37</b>	36 1/16	16.2	26.3	34.2	<b>72</b>	71 15/16	30.8	47.4	61.3	<b>107</b>	-	-	-	-
<b>38</b>	37 3/16	16.6	26.9	35.1	<b>73</b>	-	-	-	-	<b>108</b>	-	-	-	-
<b>39</b>	38 6/16	17.1	27.6	35.9	<b>74</b>	73 1/16	31.4	48.1	62.1	<b>109</b>	-	-	-	-
<b>40</b>	39 8/16	17.7	28.5	37.2	<b>75</b>	74 4/16	31.8	48.8	62.5	<b>110</b>	-	-	-	-
<b>41</b>	40 11/16	18.1	29.2	38.0	<b>76</b>	75 7/16	32.1	49.4	62.9	<b>111</b>	-	-	-	-
<b>42</b>	41 13/16	18.5	29.8	38.8	<b>77</b>	76 9/16	32.7	50.4	63.5	<b>112</b>	-	-	-	-
<b>43</b>	43	19.2	30.8	40.0	<b>78</b>	77 12/16	33.1	51.1	63.9	<b>113</b>	-	-	-	-
<b>44</b>	-	-	-	-	<b>79</b>	78 14/16	33.5	51.7	64.3	<b>114</b>	-	-	-	-
<b>45</b>	44 2/16	19.6	31.5	40.8	<b>80</b>	-	-	-	-	<b>115</b>	-	-	-	-
<b>46</b>	45 5/16	20.1	32.2	41.5	<b>81</b>	80 1/16	34.0	52.5	66.2	<b>116</b>	-	-	-	-

**Power Consumption**

Tested at Full Power with PDC Series power supplies.

Standard Nominal Lengths offered provide minimal shadowing. For alternate lengths, please consult Inside Sales with specific request.

**High Efficacy (HE48)**

Nominal Length (in)	Actual Length	Watts				Nominal Length (in)	Actual Length	Watts				Nominal Length (in)	Actual Length	Watts			
		LO	SO	MO	HO			LO	SO	MO	HO			LO	SO	MO	HO
12	-	-	-	-	-	47	46 9/16	14.3	22.6	27.5	47.9	82	-	-	-	-	-
13	-	-	-	-	-	48	-	-	-	-	-	83	82	22.6	38.4	47.6	78.5
14	-	-	-	-	-	49	48 9/16	14.7	23.3	28.5	49.4	84	84	22.8	39.3	48.8	79.4
15	-	-	-	-	-	50	-	-	-	-	-	85	-	-	-	-	-
16	-	-	-	-	-	51	50 8/16	15.3	24.1	29.6	51.3	86	85 15/16	23.1	40.1	49.9	80.3
17	-	-	-	-	-	52	-	-	-	-	-	87	-	-	-	-	-
18	-	-	-	-	-	53	52 8/16	15.8	25.0	30.7	53.2	88	87 15/16	23.3	41.0	51.0	81.2
19	-	-	-	-	-	54	-	-	-	-	-	89	-	-	-	-	-
20	-	-	-	-	-	55	54 7/16	16.4	25.9	31.9	55.2	90	89 14/16	23.5	41.9	52.1	82.0
21	-	-	-	-	-	56	-	-	-	-	-	91	-	-	-	-	-
22	-	-	-	-	-	57	56 7/16	17.0	26.8	33.1	57.0	92	91 14/16	24.0	42.9	53.4	82.7
23	-	-	-	-	-	58	-	-	-	-	-	93	-	-	-	-	-
24	-	-	-	-	-	59	58 6/16	17.5	27.7	34.3	58.7	94	93 13/16	24.6	43.8	54.7	83.3
25	24 15/16	7.4	11.7	14.5	26.3	60	-	-	-	-	-	95	-	-	-	-	-
26	-	-	-	-	-	61	60 6/16	18.1	28.6	35.5	60.5	96	95 13/16	25.2	44.8	56.0	84.0
27	26 14/16	8.0	12.9	15.7	28.5	62	-	-	-	-	-	97	-	-	-	-	-
28	-	-	-	-	-	63	62 5/16	18.4	29.5	36.6	63.8	98	-	-	-	-	-
29	28 14/16	8.7	14.0	17.0	30.6	64	-	-	-	-	-	99	-	-	-	-	-
30	-	-	-	-	-	65	64 5/16	18.8	30.4	37.7	67.0	100	-	-	-	-	-
31	30 13/16	9.4	15.2	18.2	32.6	66	-	-	-	-	-	101	-	-	-	-	-
32	-	-	-	-	-	67	66 4/16	19.1	31.2	38.9	70.2	102	-	-	-	-	-
33	32 13/16	10.0	16.1	19.2	34.7	68	-	-	-	-	-	103	-	-	-	-	-
34	-	-	-	-	-	69	68 4/16	19.5	32.3	40.0	71.2	104	-	-	-	-	-
35	34 12/16	10.7	17.0	20.3	36.7	70	-	-	-	-	-	105	-	-	-	-	-
36	-	-	-	-	-	71	70 3/16	20.0	33.3	41.1	72.3	106	-	-	-	-	-
37	36 12/16	11.3	17.9	21.4	38.7	72	-	-	-	-	-	107	-	-	-	-	-
38	-	-	-	-	-	73	72 3/16	20.4	34.4	42.3	73.4	108	-	-	-	-	-
39	38 11/16	11.9	18.9	22.7	40.5	74	-	-	-	-	-	109	-	-	-	-	-
40	-	-	-	-	-	75	74 2/16	21.0	35.2	43.4	74.6	110	-	-	-	-	-
41	40 11/16	12.5	19.9	23.9	42.2	76	-	-	-	-	-	111	-	-	-	-	-
42	-	-	-	-	-	77	76 2/16	21.5	36.0	44.5	75.7	112	-	-	-	-	-
43	42 10/16	13.1	20.8	25.1	44.1	78	-	-	-	-	-	113	-	-	-	-	-
44	-	-	-	-	-	79	78 1/16	22.1	36.8	45.7	76.9	114	-	-	-	-	-
45	44 10/16	13.7	21.7	26.3	46.0	80	-	-	-	-	-	115	-	-	-	-	-
46	-	-	-	-	-	81	80 1/16	22.3	37.5	46.5	77.6	116	-	-	-	-	-

**Power Consumption**

Tested at Full Power with PDC Series power supplies.

Standard Nominal Lengths offered provide minimal shadowing. For alternate lengths, please consult Inside Sales with specific request.

**High Efficacy (HE64)**

Nominal Length (in)	Actual Length	Watts		Nominal Length (in)	Actual Length	Watts		Nominal Length (in)	Actual Length	Watts	
		VHO	XHO			VHO	XHO			VHO	XHO
<b>12</b>	–	–	–	<b>47</b>	46 12/16	58.2	68.4	<b>82</b>	81 9/16	91.5	95.4
<b>13</b>	–	–	–	<b>48</b>	–	–	–	<b>83</b>	–	–	–
<b>14</b>	–	–	–	<b>49</b>	48 4/16	60.1	70.0	<b>84</b>	83 1/16	92.1	–
<b>15</b>	–	–	–	<b>50</b>	49 12/16	62.0	71.7	<b>85</b>	84 9/16	92.7	–
<b>16</b>	–	–	–	<b>51</b>	–	–	–	<b>86</b>	–	–	–
<b>17</b>	–	–	–	<b>52</b>	51 4/16	63.8	73.5	<b>87</b>	86 2/16	93.3	–
<b>18</b>	–	–	–	<b>53</b>	52 13/16	65.6	75.3	<b>88</b>	87 10/16	94.0	–
<b>19</b>	–	–	–	<b>54</b>	–	–	–	<b>89</b>	–	–	–
<b>20</b>	–	–	–	<b>55</b>	54 5/16	67.4	77.1	<b>90</b>	89 2/16	94.6	–
<b>21</b>	–	–	–	<b>56</b>	55 13/16	69.6	78.7	<b>91</b>	90 10/16	95.2	–
<b>22</b>	–	–	–	<b>57</b>	–	–	–	<b>92</b>	–	–	–
<b>23</b>	–	–	–	<b>58</b>	57 5/16	71.2	79.7	<b>93</b>	92 2/16	95.8	–
<b>24</b>	–	–	–	<b>59</b>	58 13/16	72.8	80.7	<b>94</b>	93 11/16	–	–
<b>25</b>	24	29.5	37.6	<b>60</b>	–	–	–	<b>95</b>	–	–	–
<b>26</b>	25 8/16	31.4	40.2	<b>61</b>	60 6/16	74.4	81.7	<b>96</b>	95 3/16	–	–
<b>27</b>	–	–	–	<b>62</b>	61 14/16	75.6	82.5	<b>97</b>	–	–	–
<b>28</b>	27 1/16	33.3	42.9	<b>63</b>	–	–	–	<b>98</b>	–	–	–
<b>29</b>	28 9/16	35.2	45.5	<b>64</b>	63 6/16	76.8	83.4	<b>99</b>	–	–	–
<b>30</b>	–	–	–	<b>65</b>	64 14/16	78.0	84.2	<b>100</b>	–	–	–
<b>31</b>	30 1/16	37.2	48.2	<b>66</b>	–	–	–	<b>101</b>	–	–	–
<b>32</b>	31 9/16	39.1	50.8	<b>67</b>	66 7/16	79.2	85.0	<b>102</b>	–	–	–
<b>33</b>	–	–	–	<b>68</b>	67 15/16	80.3	86.2	<b>103</b>	–	–	–
<b>34</b>	33 2/16	41.0	53.4	<b>69</b>	–	–	–	<b>104</b>	–	–	–
<b>35</b>	34 10/16	42.9	55.9	<b>70</b>	69 7/16	81.3	87.5	<b>105</b>	–	–	–
<b>36</b>	–	–	–	<b>71</b>	70 15/16	82.4	88.7	<b>106</b>	–	–	–
<b>37</b>	36 2/16	44.9	58.5	<b>72</b>	–	–	–	<b>107</b>	–	–	–
<b>38</b>	37 10/16	46.7	60.1	<b>73</b>	72 7/16	83.4	89.9	<b>108</b>	–	–	–
<b>39</b>	–	–	–	<b>74</b>	74	85.1	90.9	<b>109</b>	–	–	–
<b>40</b>	39 2/16	48.6	61.3	<b>75</b>	–	–	–	<b>110</b>	–	–	–
<b>41</b>	40 11/16	50.4	62.6	<b>76</b>	75 8/16	86.8	91.9	<b>111</b>	–	–	–
<b>42</b>	–	–	–	<b>77</b>	–	–	–	<b>112</b>	–	–	–
<b>43</b>	42 3/16	52.3	63.8	<b>78</b>	77	88.5	92.8	<b>113</b>	–	–	–
<b>44</b>	43 11/16	54.2	65.3	<b>79</b>	78 8/16	90.2	93.8	<b>114</b>	–	–	–
<b>45</b>	–	–	–	<b>80</b>	–	–	–	<b>115</b>	–	–	–
<b>46</b>	45 3/16	56.2	66.8	<b>81</b>	80 1/16	90.8	94.6	<b>116</b>	–	–	–

### Voltage Drop Calculator

The below chart assumes nominal voltage of 24 Volts and a Voltage Drop Allowance of 3% through the wire

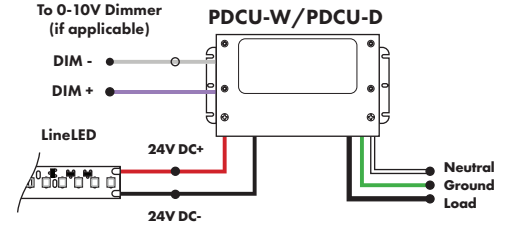
Wattage [W]	Wire Length From Power Supply to Start of Run [ft]						
	12 AWG	14 AWG	16 AWG	18 AWG	20 AWG	22 AWG	24 AWG
<b>5</b>	1088.2	684.4	430.3	270.6	170.2	107.1	67.3
<b>10</b>	544.1	342.2	215.1	135.3	85.1	53.5	33.7
<b>15</b>	362.7	228.1	143.4	90.2	56.7	35.7	22.4
<b>20</b>	272.0	171.1	107.6	67.7	42.6	26.8	16.8
<b>25</b>	217.6	136.9	86.1	54.1	34.0	21.4	13.5
<b>30</b>	181.4	114.1	71.7	45.1	28.4	17.8	11.2
<b>35</b>	155.5	97.8	61.5	38.7	24.3	15.3	9.6
<b>40</b>	136.0	85.5	53.8	33.8	21.3	13.4	8.4
<b>45</b>	120.9	76.0	47.8	30.1	18.9	11.9	7.5
<b>50</b>	108.8	68.4	43.0	27.1	17.0	10.7	6.7
<b>55</b>	98.9	62.2	39.1	24.6	15.5	9.7	6.1
<b>60</b>	90.7	57.0	35.9	22.6	14.2	8.9	5.6
<b>65</b>	83.7	52.6	33.1	20.8	13.1	8.2	5.2
<b>70</b>	77.7	48.9	30.7	19.3	12.2	7.6	4.8
<b>75</b>	72.5	45.6	28.7	18.0	11.3	7.1	4.5
<b>80</b>	68.0	42.8	26.9	16.9	10.6	6.7	4.2
<b>85</b>	64.0	40.3	25.3	15.9	10.0	6.3	4.0
<b>90</b>	60.5	38.0	23.9	15.0	9.5	5.9	3.7
<b>96</b>	56.7	35.6	22.4	14.1	8.9	5.6	3.5

### Power Supplies

See Power Supply instructions and spec sheet for wiring information. For a complete list of compatible dimmers, see Compatible Dimming Chart on the Resources page.

#### Universal Power Supply 1% 120VAC - 277VAC

MODEL	POWER	OUTPUT
PDCU-D - IP20 Dry Series	30 - 30 W 60 - 60 W 96 - 96 W 3X96 - 3X96 W	24 - 24 VDC
PDCU-W - IP66 Wet Series	96 - 96 W 3X96 - 3X96 W	

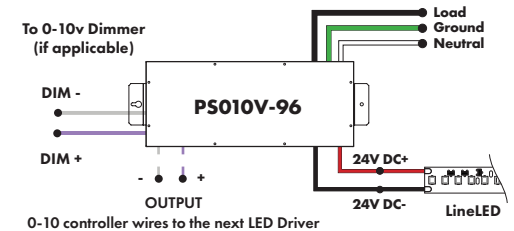


0-10V dims down to 1%, MLV/ELV/TRIAC dims down to 1%.  
For a complete list of compatible dimmers, see [Compatible Dimming Chart](#) on the Resources page.

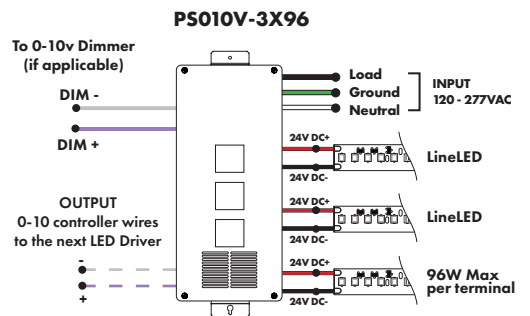
MODELS	PDCU-W 96W	PDCU-W 3X96W	PDCU-D 30W	PDCU-D 60W	PDCU-D 96W	PDCU-D 3X96W
<b>Length</b>	8.66"	11.85"	6.10"	7.93"	8.25"	9.57"
<b>Width</b>	3.73"	4.32"	3.35"	3.35"	4.10"	5.94"
<b>Depth</b>	1.61"	1.81"	1.33"	1.32"	1.56"	1.13"

#### 0-10V Dimming Power Supplies 0.1% 120VAC - 277VAC

MODEL	POWER	OUTPUT	DIMMING
PS010V - 0-10V Power Supply dims down to 0.1%	96 - 96 Watt 3X96 - 3 X 96 Watt	24 - 24 VDC	LIN - Linear LOG - Logarithmic



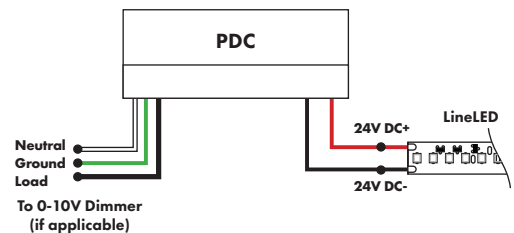
MODELS	96W	3X96
<b>Length</b>	14.40"	15.75"
<b>Width</b>	5.20"	6.62"
<b>Depth</b>	2.60"	4.95"



#### Triac, MLV, & ELV Compatible Dimmers

MODEL	POWER	OUTPUT
PDC - (IP20) Power Supply	96 - 96 Watts	24 - 24 VDC

MODELS	96W
<b>Length</b>	8.25"
<b>Width</b>	4.10"
<b>Depth</b>	1.56"





**Power Supplies**

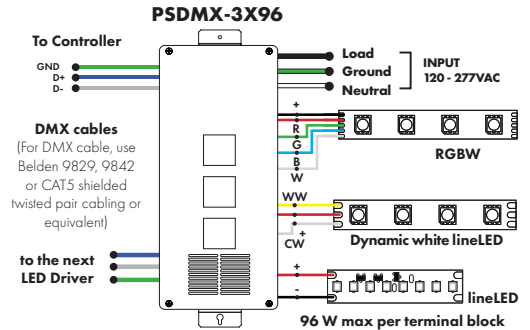
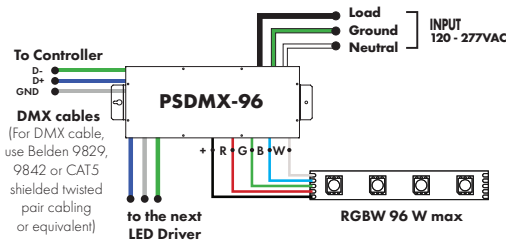
See Power Supply instructions and spec sheet for wiring information. For a complete list of compatible dimmers, see Compatible Dimming Chart on the Resources page.

**DMX Dimming Power Supplies 120VAC - 277VAC**

MODEL	POWER	OUTPUT
PSDMX - DMX Power Supply dims down to 0%	96 - 96 Watt 3X96 - 3 X 96 Watt	24 - 24 VDC

Features eldoLED's LINEARdrive configurable dimmable drivers

MODELS	96W	3X96
<b>Length</b>	14.40"	15.75"
<b>Width</b>	5.20"	6.62"
<b>Depth</b>	2.60"	4.95"

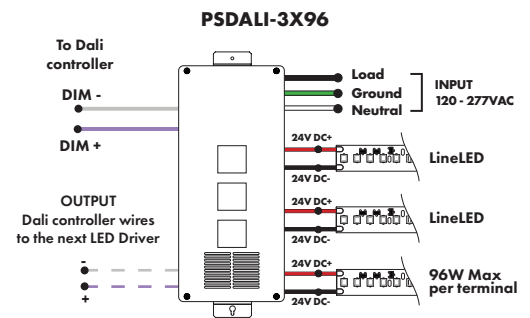
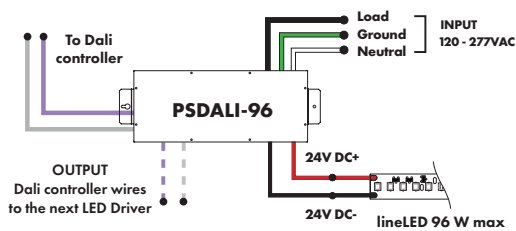


**DALI 0% Dimming Power Supplies 120VAC - 277VAC**

MODEL	POWER	OUTPUT
PSDALI - DALI Power Supply dims down to 0%	96 - 96 Watt 3X96 - 3 X 96 Watt	24 - 24 VDC

Features eldoLED's LINEARdrive configurable dimmable drivers

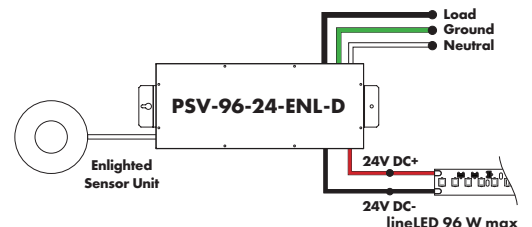
Model	96W	3X96
<b>Length</b>	14.40"	15.75"
<b>Width</b>	5.20"	6.62"
<b>Depth</b>	2.60"	4.95"



**Enlighted Enabled Dimming Power Supplies 120VAC - 277VAC**

MODEL	POWER	OUTPUT	DIMMING	LOCATION
PSV - PSV Series	96 - 96 Watt	24 - 24 VDC	ENL - Enlighted Dimming dims down to 0%	D - Damp

Model	96W
<b>Length</b>	14.40"
<b>Width</b>	5.20"
<b>Depth</b>	2.60"



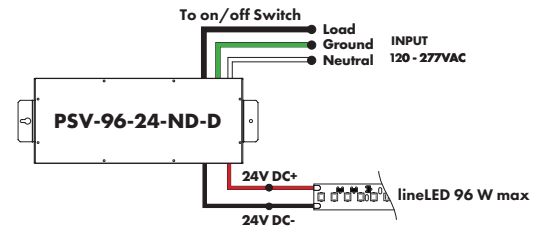
### Power Supplies

See Power Supply instructions and spec sheet for wiring information. For a complete list of compatible dimmers, see Compatible Dimming Chart on the Resources page.

#### Non-Dimming Power Supply 120VAC - 277VAC

MODEL	POWER	OUTPUT	DIMMING	LOCATION
PSV - PSV Series	96 - 96 Watt	24 - 24 VDC	U2ND - Non Dimming	D - Damp

MODELS	96W
Length	14.40"
Width	5.20"
Depth	2.60"

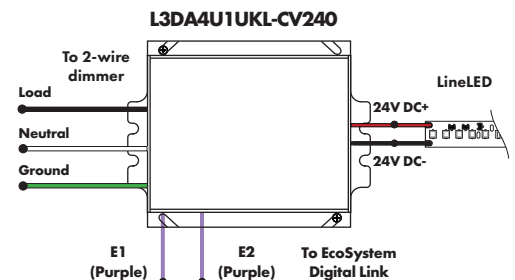
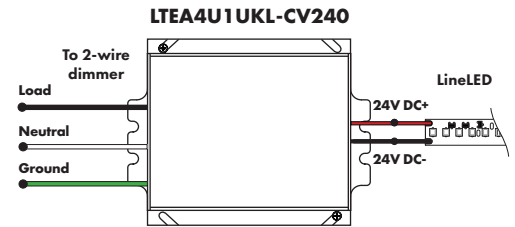


Luminii is a Lutron OEM Advantage Partner

#### Lutron Power Supplies 1%

MODEL	MODEL
<b>LTEA4U1UKL-CV240</b>	<b>L3DA4U1UKL-CV240</b>
Lutron - HiLume™ 1% 2-wire LED Driver 40W max	HiLume™ 1% EcoSystem Voltage LED driver 40W max
(120V forward phase only)	

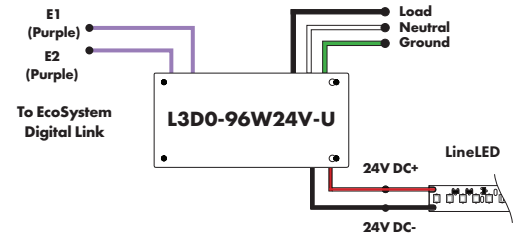
MODELS	LTEA4U1UKL-CV240	L3DA4U1UKL-CV240
Length	4.89"	4.98"
Width	4.00"	4.00"
Depth	2.62"	2.62"



Luminii is a Lutron OEM Advantage Partner

#### Lutron Power Supplies 0.1%

MODEL	MODELS	L3D0
<b>L3D0-96W24V-U</b>	Length	10.50"
HiLume™ 0.1% EcoSystem Voltage LED Driver with Soft-On, Fade-to-Black™ 96W max	Width	5.50"
	Depth	2.00"



#### In-Ground Power Supplies

MODEL	POWER	OUTPUT	INPUT
IG - In ground CVE Series	CVE - ELV Dimming DALI - eidoLED Dali dimming Both dims down to 0%	96X2 - 2 X 96 Watt	24 - 24 VDC
			Blank - 120 V 277 - 240/277 V

MODELS	Dual Circuit
Length	8.40"
Width	8.30"
Depth	8.10"

