

The LineLED Monochromatic is a small profile and energy efficient colored light strip. It is easily installed directly on to the mounting surface with double sided tape or within discrete mounting extrusions. The durable but flexible circuit board and multiple connector options enable the extension of the light strip and perfect fit for every application.

Applications: Indoor only - above and below cabinets, cove lighting, counter accent, architectural reveals, under banister, display and book cases, etc.

Operating voltage
24 VDC

Average life
50,000 hours

Mounting
LED strip is equipped with 3M self-adhesive tape. The strip must be adhered to either a Luminii aluminum profile or an unpainted aluminum surface. For other surfaces the HST Aluminum heat sink tape will be required to reach the rated 50,000 hours average life

Approvals
Class II damp listed

Warranty
5 years

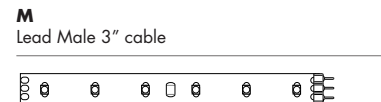
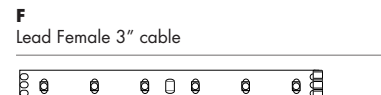
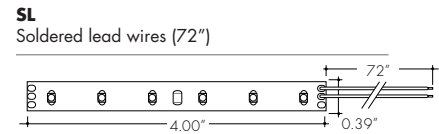
COLOR	Wave-length	Light output LLX18
AMBER	610-620 nm	41.00 lum/ft
RED	626-630 nm	37.25 lum/ft
GREEN	520-525 nm	
BLUE	465-470 nm	72.90 lum/ft
UV	390-400 nm	



Technical information

MODEL	LL18	LL36	LLX18
LEDS/ft	18	36	18
Average power consumption (for 15' section)	1.5 W/ft	3.0 W/ft	4.3 W/ft
Cutting increment	4.00"	2.00"	4.00"
Maximum run length (in series)	100 ft	39 ft	25 ft
Dimensions	0.39" W 0.09" H	0.39" W 0.09" H	0.39" W 0.09" H

Section Start/End Options

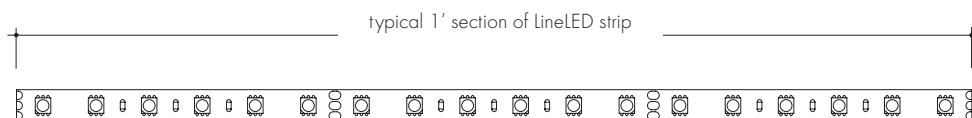


Ordering code

MODEL	COLOR	SECTION START	SECTION END	LENGTH
LL18	A	F	M	
LL18 LL36 LLX18	A - Amber B - Blue G - Green R - Red	F - Female connector M - Male connector SL - Soldered wire leads (72") NC - No connector	F - Female connector M - Male connector SL - Soldered wire leads (72") NC - No connector	view table above for increment options and maximum run limits

Power consumption per linear foot - loads tested with PSD series of power supplies (page3)

Length of strip (LF)	LL18		LL36		LLX18	
	W/ft	Total wattage	W/ft	Total wattage	W/ft	Total wattage
1	1.65	1.65	3.25	3.25	5.00	5.00
2	1.65	3.30	3.25	6.50	4.95	9.90
3	1.65	4.95	3.25	9.75	4.90	14.70
4	1.63	6.58	3.20	12.80	4.85	19.40
5	1.63	8.21	3.20	16.00	4.80	24.00
6	1.62	9.83	3.15	18.90	4.75	28.50
7	1.62	11.45	3.15	22.05	4.70	32.90
8	1.62	13.07	3.10	24.80	4.65	37.20
9	1.60	14.67	3.10	27.90	4.60	41.40
10	1.60	16.50	3.05	30.50	4.55	45.50
11	1.57	18.07	3.05	33.50	4.50	49.50
12	1.57	19.64	3.00	36.00	4.45	53.40
13	1.57	21.21	3.00	39.00	4.40	57.20
14	1.55	22.76	3.00	42.00	4.35	60.90
15	1.55	24.31	3.00	45.00	4.30	64.50
16	1.55	25.86	2.95	47.20	4.25	68.00
17	1.52	27.38	2.95	50.15	4.20	71.40
18	1.52	28.90	2.90	52.50	4.15	74.70
19	1.52	30.42	2.90	55.10	4.10	77.90
20	1.50	31.20	2.85	57.00	4.05	81.00
21	1.50	32.70	2.85	59.85	4.00	84.00
22	1.50	34.20	2.80	61.60	3.95	86.90
23	1.48	35.68	2.80	64.60	3.90	89.70
24	1.47	37.15	2.75	66.00	3.85	92.40
25	1.47	38.62	2.75	68.75	3.80	95.00
26	1.45	40.07	2.70	70.20		
27	1.45	41.52	2.70	72.90		
28	1.43	42.20	2.65	74.20		
29	1.42	43.00	2.65	76.85		
30	1.40	43.70	2.60	78.00		
31	1.40	45.10	2.60	80.60		
32	1.38	46.50	2.55	81.60		
33	1.37	47.70	2.55	84.15		
34	1.37	49.00	2.50	85.00		
35	1.36	50.45	2.50	87.50		
36	1.36	51.70	2.45	88.20		
37	1.36	52.50	2.45	90.65		
38	1.36	53.00	2.40	91.20		
39	1.35	53.90	2.40	93.60		
40	1.35	54.40				
41	1.35	55.75				
42	1.34	57.09				
43	1.34	58.43				
44	1.33	59.76				
45	1.33	61.07				
46	1.32	61.97				
47	1.32	62.70				
48	1.31	63.50				
49	1.31	64.05				
50	1.30	64.80				
51-60	1.30 - 1.25	65.20 - 70.80				
61-70	1.25 - 1.20	71.00 - 76.20				
71-80	1.20 - 1.10	77.00 - 81.60				
81-90	1.10 - 1.00	82.00 - 86.20				
91-100	1.00 - 0.95	87.00 - 91.40				



Lens options / light transmission percentage per lens

C Clear	HF Half (50%) Frosted	GR Graze	F Frosted	FF Flat Frosted	R Raised	S Square Frosted	Q Round Square Frosted	13° 13° Semi-Frosted
BOS Channel (BOSC-XX) 	CLA Channel (CLAC-XX) 	MCAL Channel (MCALC-XX) 	K45V Channel (K45V-XX) 					
F 52% SI 66% R 60% G 76%	S 62% Q 65%	C 94%	C 82% HF 68% F 45% 13° 75%					
K45R Channel (K45R-XX) 	KiloR Channel (KILORC-XX) 	Kilo Channel (KILOC-XX) 	KL Channel (KLC-XX) 					
RF 61%	C 85% F 75%	C 85% F 75%	C 81% HF 67% F 51%					
KRL Channel (KRLC-XX) 	KM Channel (KMC-XX) 	KRM Channel (KRMC-XX) 	KS Channel (KSC-XX) 					
C 81% HF 67% F 51%	C 82% HF 68% F 45% FF 52% R 58% GR 56%	C 82% HF 68% F 45% FF 52% GR 56%	C 86% HF 71% F 56% FF 60% R 85% M 64%					
KRS Channel (KRSC-XX) 	KXL Channel (KXLC-XX) 	KRXL Channel (KRXLC-XX) 	RO15 Channel (RO15-XX) 					
C 86% HF 71% F 56% FF 60% M 64%	C 81% HF 67% F 51%	C 81% HF 67% F 51%	C 65% F 41%					

Installation

All mounting channels are field cuttable using miter saw with circular blade suitable for cutting aluminum.

Ordering

Extrusions are sold separately. View respective specsheets for details on ordering extrusions and their accessories (endcaps, mounting brackets, etc).

Discontinued Extrusion Reference Link

<https://www.luminii.com/media/4351/extrusion-update-02.pdf>

LED Dotting per extrusion

using the frosted lens option

extrusion	LED Models			
	LL18	LL30	LL36	LLX18
KSC, KRSC	CD	CD	CD	CD
KMC, KRMC, K45VC, K45RC	SD	SD	ND	SD
KXLC, KRXLC	CD	SD	ND	CD
KLC, KRLC	CD	CD	CD	CD
RO	SD	ND	ND	SD
BOSC	CD	SD	SD	CD
CLAC	SD	ND	ND	SD

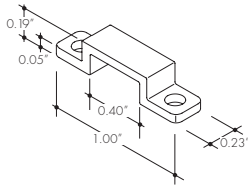


Clear Dotting (CD) Slight Dotting (SD) NO Dotting (ND)

Accessories

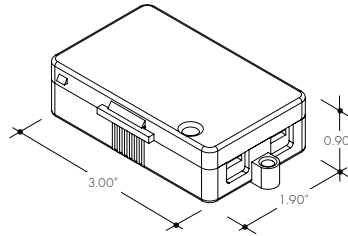
Mounting clip:
recommended at every 12" when
LineLED strip is facing down.

Part # CL1



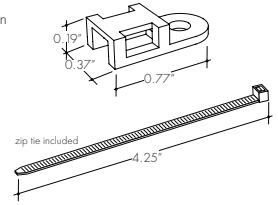
Splice Box:
low voltage, 4 terminal
splice box, black.

Part # LVSP-4T-BK



LLZIP:
Cable/Wire Strain
Relief Clip

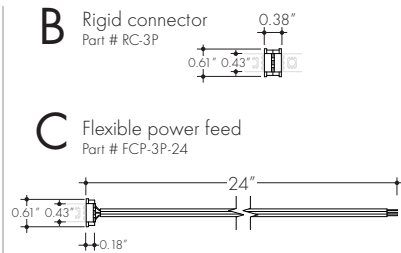
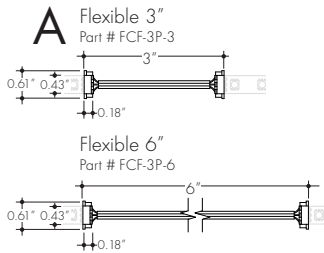
Part # LL.ZIP



Connectors

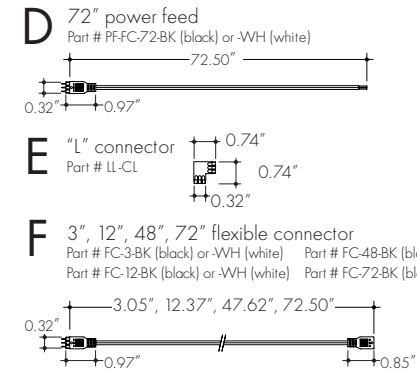
Field-cut connectors

(Reference dimensions below to determine if connector will fit inside of your extrusion. If so surface with contact of connector & extrusion must be insulated to prevent an electrical short)

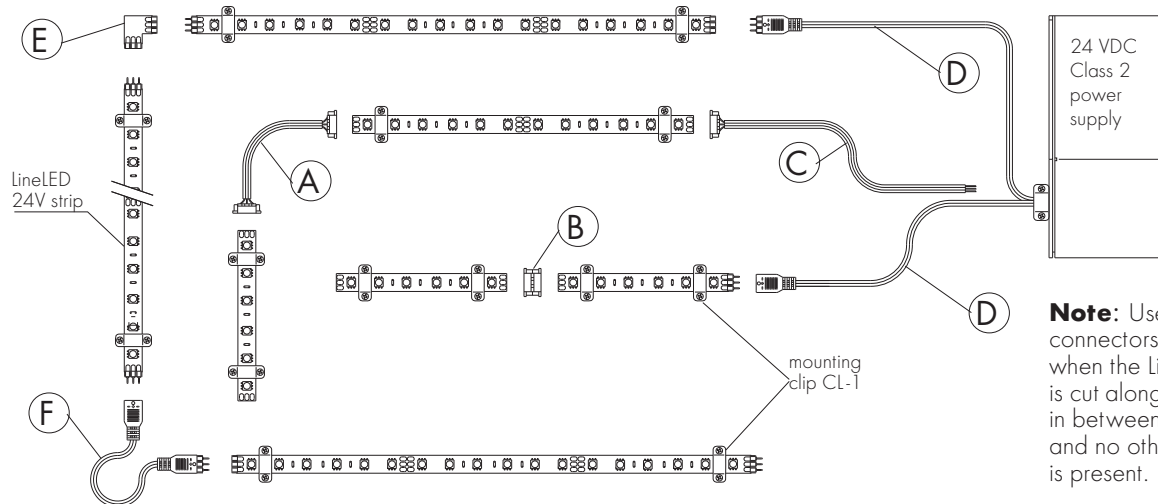


3-pin connectors

(Reference dimensions below to determine if connector will fit inside of your extrusion. Connectors will not fit inside of the KSC, KRSC, BOSCO, & ALC Channel)



Sample layout with connectors



Note: Use field-cut connectors (A,B,C) when the LineLED strip is cut along cutting lines in between solder pads and no other connector is present.

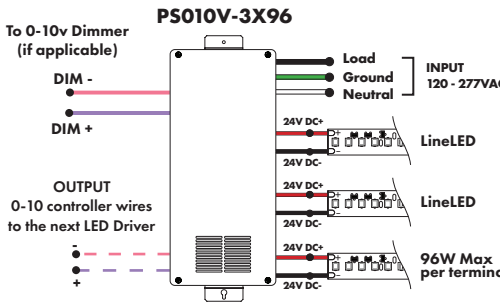
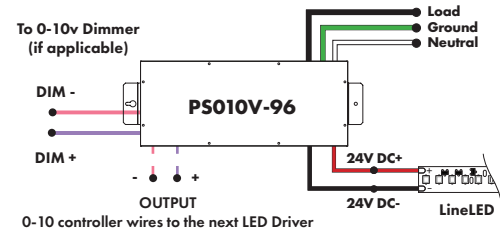
Power Supplies

See Power Supply instructions and spec sheet for wiring information. For a complete list of compatible dimmers, see Compatible Dimming Chart on the Resources page.

0-10V Dimming Power Supplies 0.1% 120VAC - 277VAC

MODEL	POWER	OUTPUT	DIMMING
PS010V - 0-10V Power Supply dims down to 0.1%	96 - 96 Watt 3X96 - 3 X 96 Watt	24 - 24 VDC	LIN - Linear LOG - Logarithmic

MODELS	96W	3X96
Length	14.40"	13.00"
Width	5.20"	6.62"
Depth	2.60"	4.20"

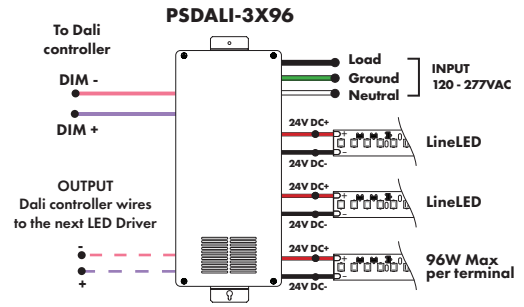
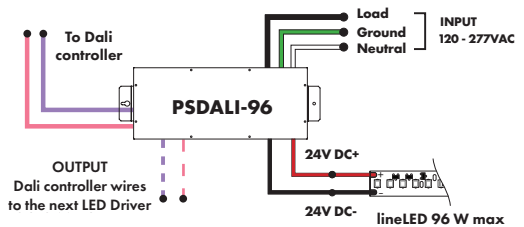


DALI 0% Dimming Power Supplies 120VAC - 277VAC

MODEL	POWER	OUTPUT
PSDALI - DALI Power Supply dims down to 0%	96 - 96 Watt 3X96 - 3 X 96 Watt	24 - 24 VDC

Features eldoLED's LINEARdrive configurable dimmable drivers

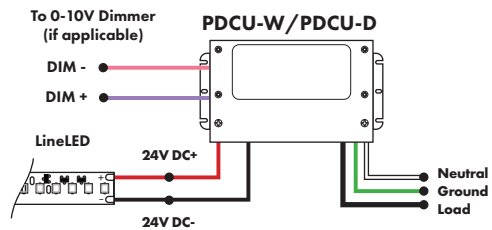
Model	96W	3X96
Length	14.40"	13.00"
Width	5.20"	6.62"
Depth	2.60"	4.20"



Universal Power Supply 1% 120VAC - 277VAC

MODEL	POWER	OUTPUT
PDCU-D - IP20 Dry Series	30 - 30 W 60 - 60 W 96 - 96 W 3X96 - 3X96 W	24 - 24 VDC
PDCU-W - IP66 Wet Series	96 - 96 W 3X96 - 3X96 W	

0-10V dims down to 1%, MLV/ELV/TRIAC dims down to 1%. For a complete list of compatible dimmers, see [Compatible Dimming Chart](#) on the Resources page.



MODEL	PDCU-W-96W	PDCU-W-3X96W	PDCU-D-30W	PDCU-D-60W	PDCU-D-96W	PDCU-D-3X96W
Length	8.66"	11.85"	6.10"	7.93"	8.25"	9.57"
Width	3.73"	4.32"	3.35"	3.35"	4.10"	5.94"
Depth	1.61"	1.81"	1.33"	1.32"	1.56"	1.13"

Power Supplies

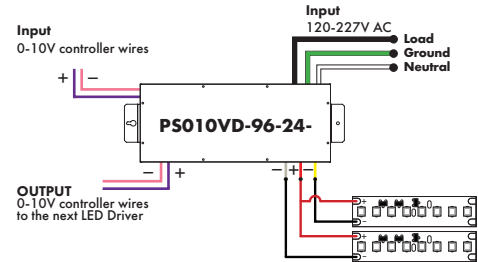
See Power Supply instructions and spec sheet for wiring information. For a complete list of compatible dimmers, see Compatible Dimming Chart on the Resources page.

Customizable Dim to Warm or Variable White via 0 - 10V (for tunable white or warm dimming control of Dynamic option)

MODEL	POWER	OUTPUT	CONTROL
PS010VD-0-10V Vintage Dim LED Driver	96-96 Watt	24-24 VDC	W2I-Standard dimming for both tapes

*Zonal control power supplies

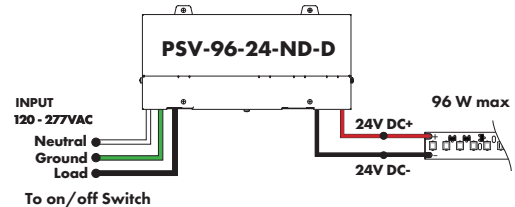
MODELS	96W
Length	14.40"
Width	5.20"
Depth	2.60"



Non-Dimming Power Supply 120VAC - 277VAC

MODEL	POWER	OUTPUT	DIMMING	LOCATION
PSV - PSV Series	96 - 96 Watt	24 - 24 VDC	ND - Non Dimming	D - Damp

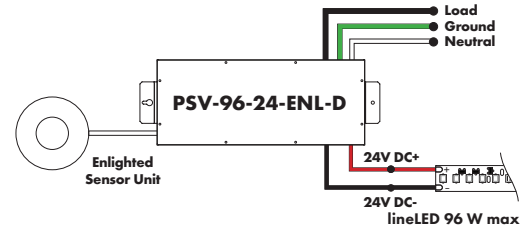
MODELS	96W
Length	8.25"
Width	3.75"
Depth	1.63"



Enlighted Enabled Dimming Power Supplies 120VAC - 277VAC

MODEL	POWER	OUTPUT	DIMMING	LOCATION
PSV - PSV Series	96 - 96 Watt	24 - 24 VDC	ENL - Enlighted Dimming dims down to 0%	D - Damp

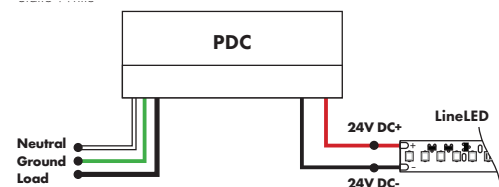
Model	96W
Length	14.40"
Width	5.20"
Depth	2.60"



Triac, MLV, ELV Compatible Dimmers

MODEL	POWER	OUTPUT
PDC - (IP20) Power Supply	96 - 96 Watts	24 - 24 VDC

MODELS	96W
Length	8.25"
Width	4.10"
Depth	1.56"



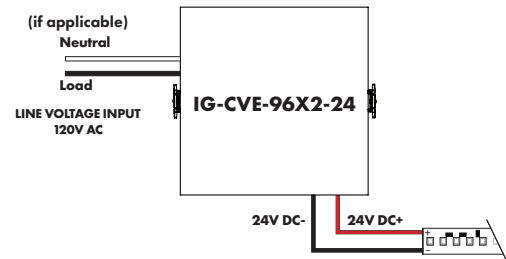
Power Supplies

See Power Supply instructions and spec sheet for wiring information. For a complete list of compatible dimmers, see Compatible Dimming Chart on the Resources page.

In-Ground Power Supplies

MODEL	POWER	OUTPUT	INPUT
IG - In ground CVE Series	CVE - ELV Dimming DALI - eldoLED Dali dimming Both dims down to 0%	96X2 - 2 X 96 Watt	Blank - 120 V 277 - 240/277 V

MODEL	Dual Circuit
Length	8.40"
Width	8.30"
Depth	8.10"

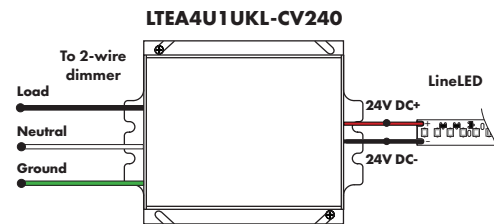


Luminii is a Lutron OEM Advantage Partner **Lutron Power Supplies 1%**

MODEL
LTEA4U1UKL-CV240

Lutron - HiLume™ 1% 2-wire LED Driver 40W max
(120V forward phase only)

MODEL	LTEA41UKL-CV240
Length	4.89"
Width	4.00"
Depth	2.62"



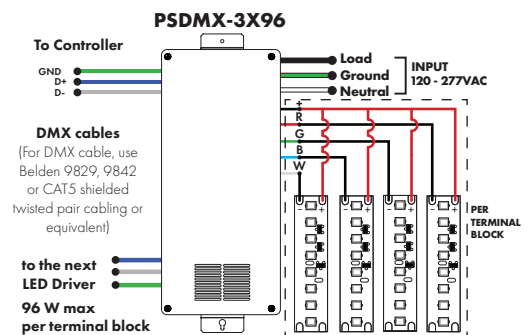
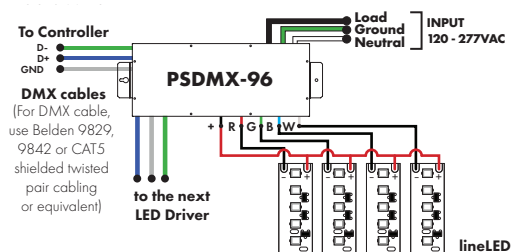
DMX Dimming Power Supplies 120VAC - 277VAC

MODEL	POWER	OUTPUT
PSDMX - DMX Power Supply dims down to 0%	96 - 96 Watt 3X96 - 3 X 96 Watt	24 - 24 VDC

Features eldoLED's LINEARdrive configurable dimmable drivers

*Zonal control power supplies. Control multiple tapes/zones using DMX channels.

MODEL	96W	3X96
Length	14.40"	13.00"
Width	5.20"	6.60"
Depth	2.60"	4.20"



Decoders



MODEL

DDMX-5CH-RDM-PRO

DDMX-5CH-RDM-PRO-DMX512 Decoder

DMX512 decoder with RDM functionality features 5 PWM output channels with common anode. High PWM output frequency range allows the product to be used in HD video conferencing spaces. All DMX products to be installed per DMX512 Standard.

Power
96 Watt

Inputs
RJ45, XLR-5Pin, Terminal Block

DMX Channels
1 to 5 settable

PWM Output Resolution Ratio
8 or 16 bit

PWM Output Frequency
500Hz - 30KHz

Output Dimming Curve Gamma Value
0.1 ~ 9.9



MODEL

DDMX-RGBW

DDMX-RGBW - DMX512 Decoder

Translates controller DMX512 programs for RGB and white LED strips.

Unique DMX address for the decoder can be set easily and displayed by the numeric display on the case. Changing and resetting the DMX address requires manual input.

Use power repeater to expand output (Luminii part# RGBW-SR).

Operating Voltage
12-36 VDC

Power Capacity
up to 96W at 24V

Operating Temperature Range
from -4°F to +122°F in case

PWM Output Frequency
200Hz or 1500Hz



MODEL

RGBW-RC-R

RGBW-RC-R - RGBW receiver

The RGBW receiver is easily paired with controller by the click of a button. Receiver can be reset to factory settings at any time.

Each receiver can store one static RGB color, one color sequence, and one brightness setting for the white LED strip. Receivers assigned to the same scene within the same zone will have the same LED static color and color sequence.

Operating Voltage
12-36 VDC

Power Capacity
up to 96W at 24V

Operating Temperature Range
from -4°F to +122°F in case

Decoders



MODEL

RGBW-SR

RGBW-SR - RGBW signal repeater

Extends identical signal when connected in series to an RGBW LED control system. The RGBW signal repeater works with Luminii RGB and RGBW controllers, receivers, and decoders.

RGBW signal can be extended indefinitely when adequate power supply (not included) is connected to the system.

Operating Voltage
12-36 VDC

Power Capacity
up to 96W at 24V

Operating Temperature Range
from -4°F to +122°F in case



MODEL

RGBW-WiR

RGBW-WiR - WiFi generator

RGBW-WiR creates a local network that enables any electronic device (phone, tablet, etc.) to control the RGB/W strip connected to a RGBW-RC-R receiver.

The control functions are achieved through a free application download for Android and iOS devices called REALCOLOR.

Operating Voltage
12-36 VDC

Power Supply
PI-130-24 (included)

Operating Temperature Range
from -4°F to +122°F in case



MODEL

TSDMX-E

TSDMX-E - Touchscreen DMX controller

Programmable advanced DMX512 lighting controller featuring a touch-screen interface. Operates as stand alone controller or integrated with most architectural lighting control systems. Can controller endless DMX512 enabled devices.

Mounts to standard single or dual gang wall box with the included power supply inside the junction box. Terminal block design for power and data connections.

Features

- Sleek glass design which sits 0.43" from the wall
- Graphical color display to show selected environment
- Color/dimmer/speed palette
- Color temperature mixing
- Touch sensitive buttons. No mechanical parts
- Touch sensitive wheel allows for accurate color selection
- Multi-zone microSD memory
- Multi-room control with 500 scenes, 10 zones
- 1024 DMX channels. Control 340 RGB fixtures
- USB & Ethernet connectivity for programming and control

Power Supply

7 VDC (included)

Programmability

PC, Mac, Tablet, Smartphone

Output Signal

DMX512 (1024 channels)

Color Parameters

- Brightness
- Saturation
- Speed of color changing sequence
- Fading / dimming / brightness