

LineLED 24V - Installation Instructions

Models LLDW60X2 WET-T



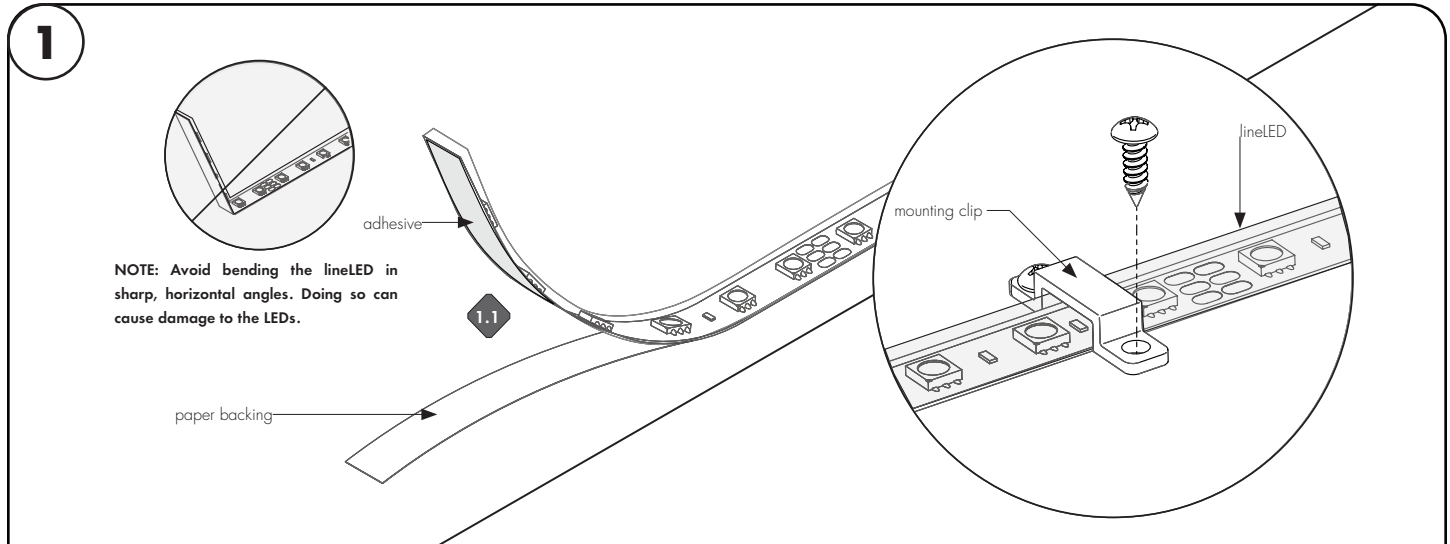
7777 Merrimac Ave
Niles, IL 60714
T 224.333.6033
F 224.757.7557
info@luminii.com
www.luminii.com

REVO.1
01112023

1 / 4

Please read all instructions prior to installation and keep for future reference!

1. PRODUCT SHOULD BE INSTALLED BY A QUALIFIED ELECTRICIAN
2. ENSURE POWER IS OFF AT FUSE BOX PRIOR TO INSTALLATION TO PREVENT ELECTRICAL SHOCK.
3. USE ONLY WITH CLASS 2 POWER UNIT
4. SUITABLE FOR DAMP LOCATIONS FPO
5. FOR UNDER CABINET OR SHELF MOUNT
6. CONFORMS TO UL STD 2108. CERTIFIED TO CSA STD C22.2 NO.250.0.



NOTE: Avoid bending the lineLED in sharp, horizontal angles. Doing so can cause damage to the LEDs.

- 1.1** Clean the area thoroughly where the lineLED will be installed. Remove the paper backing from the lineLED and firmly press down making sure there are no air bubbles that can cause surface irregularities. Do not remove the adhesive, removing the adhesive may cause arcing of the lineLED tape.
- 1.2** If necessary, add a mounting clip every 12" for additional support.

LineLED 24V - Installation Instructions

Models LLDW60X2 WET-T



7777 Merrimac Ave
Niles, IL 60714
T 224.333.6033
F 224.757.7557
info@luminii.com
www.luminii.com

REVO.1
01112023

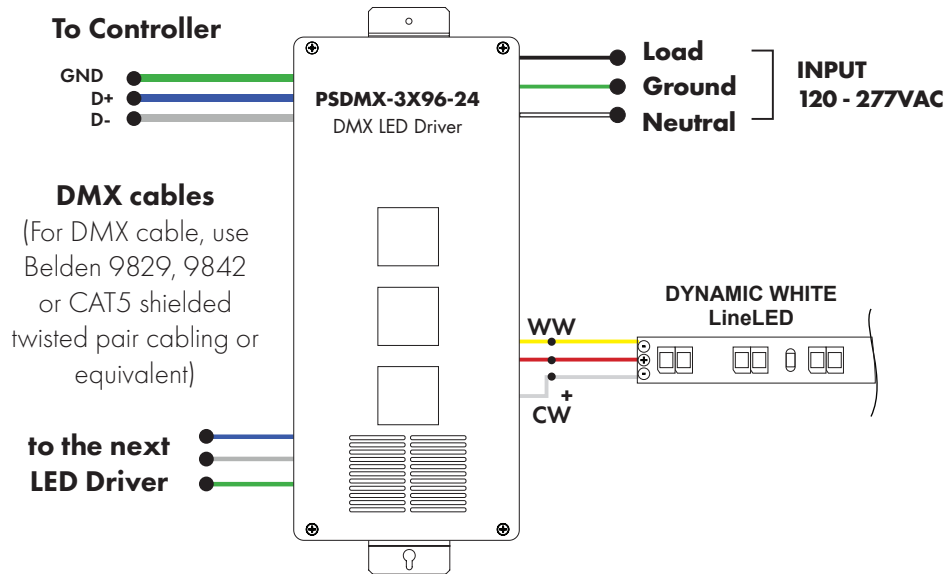
2 / 4

Please read all instructions prior to installation and keep for future reference!

1. PRODUCT SHOULD BE INSTALLED BY A QUALIFIED ELECTRICIAN
2. ENSURE POWER IS OFF AT FUSE BOX PRIOR TO INSTALLATION TO PREVENT ELECTRICAL SHOCK.
3. USE ONLY WITH CLASS 2 POWER UNIT
4. SUITABLE FOR DAMP LOCATIONS/FPO
5. FOR UNDER CABINET OR SHELF MOUNT
6. CONFORMS TO UL STD 2108. CERTIFIED TO CSA STD C22.2 NO.250.0.

Wiring Diagrams

Using DMX LED power supply



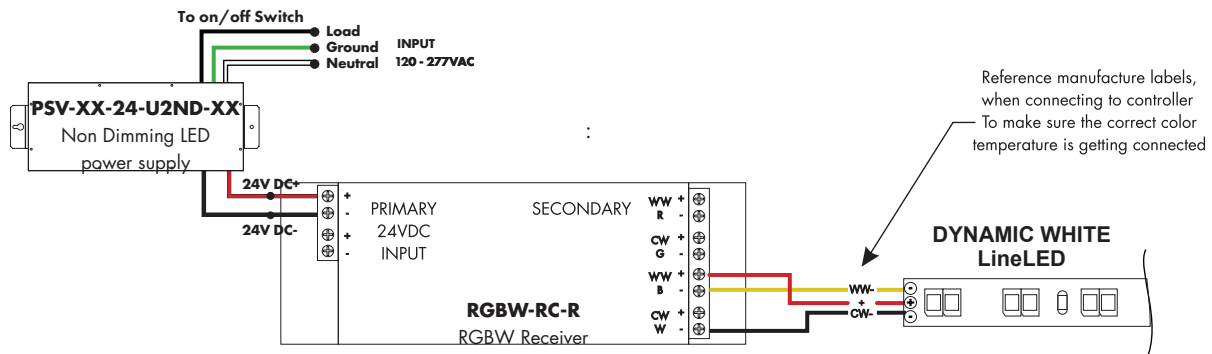
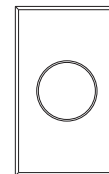
Using non dimming LED power supply, receiver and controller

Operations to Controller

1. Press the learning key on the receiver, then push the rotary button. Once successfully learn, the LED lights will blink on the receiver. Do the same for the other receivers if you use them, you can add as many optional receivers as you want.
2. Short press once the rotary button to switch on/off. Adjust dim brightness by the rotary button from left to right 0.1 - 100%. Adjust dim brightness by the rotary button from right to left 0.1 - 100%. Long press rotary button, the light will be 100% brightness

Double click rotary button, it will enter into dimming color temperature mode, dim WW & CW associatively, for example if WW is 70%, CW is 30%. Double click again, will enter into dimming brightness mode.

DDW-MC
Wireless Controller



LineLED 24V - Installation Instructions

Models LLDW60X2 WET-T

Please read all instructions prior to installation and keep for future reference!

1. PRODUCT SHOULD BE INSTALLED BY A QUALIFIED ELECTRICIAN
2. ENSURE POWER IS OFF AT FUSE BOX PRIOR TO INSTALLATION TO PREVENT ELECTRICAL SHOCK.
3. USE ONLY WITH CLASS 2 POWER UNIT
4. SUITABLE FOR DAMP LOCATIONS/FPO
5. FOR UNDER CABINET OR SHELF MOUNT
6. CONFORMS TO UL STD 2108. CERTIFIED TO CSA STD C22.2 NO.250.0.



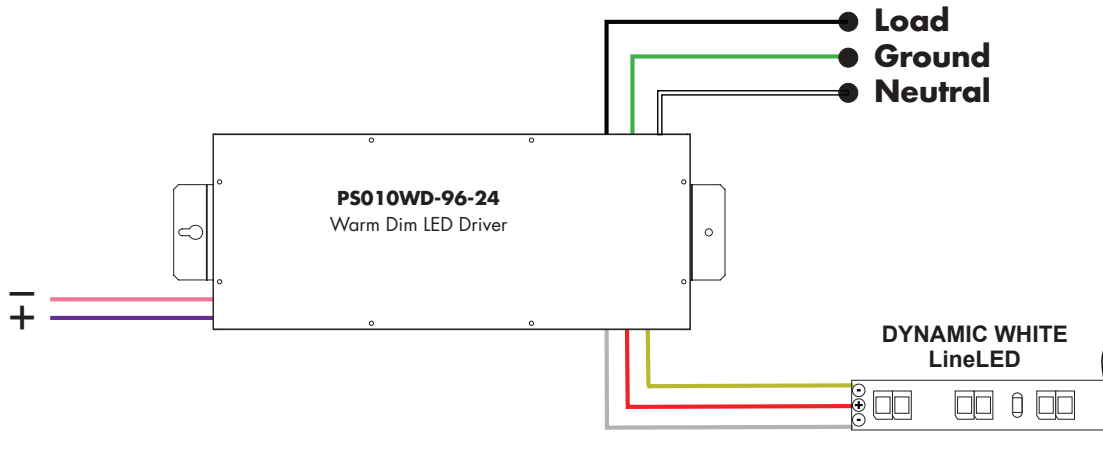
REVO.1
01112023

3 / 4



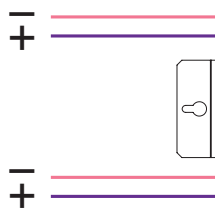
7777 Merrimac Ave
Niles, IL 60714
T 224.333.6033
F 224.757.7557
info@luminii.com
www.luminii.com

Using warm dim LED power supply

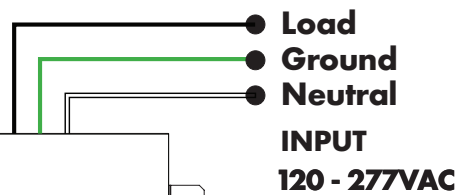


Using tunable white LED power supply

Controller 1:
0-10V for intensity



Controller 2:
0-10V for color temperature



LineLED 24V - Installation Instructions

Models LLDW60X2 WET-T



7777 Merrimac Ave
Niles, IL 60714
T 224.333.6033
F 224.757.7557
info@luminii.com
www.luminii.com

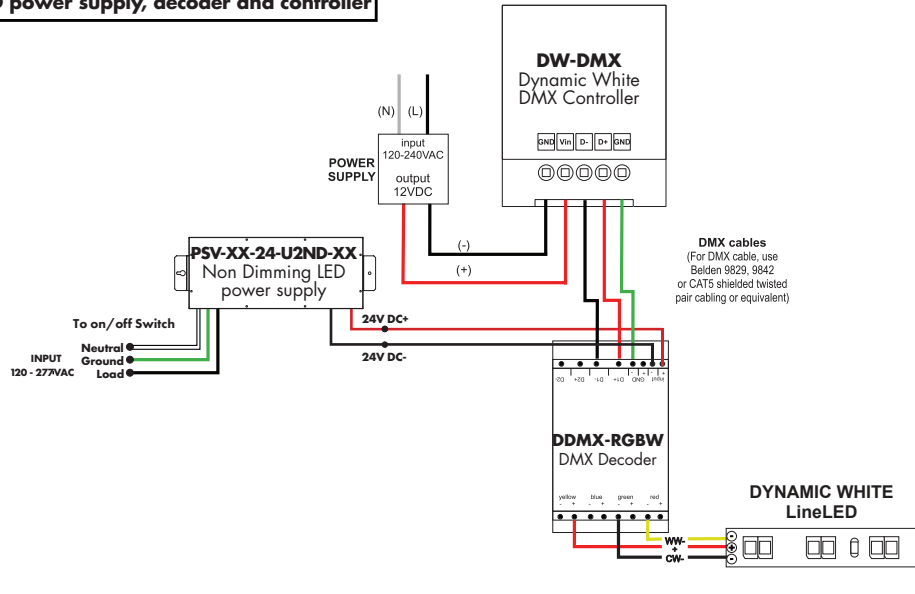
REVO.1
01112023

4 / 4

Please read all instructions prior to installation and keep for future reference!

1. PRODUCT SHOULD BE INSTALLED BY A QUALIFIED ELECTRICIAN
2. ENSURE POWER IS OFF AT FUSE BOX PRIOR TO INSTALLATION TO PREVENT ELECTRICAL SHOCK.
3. USE ONLY WITH CLASS 2 POWER UNIT
4. SUITABLE FOR DAMP LOCATIONS/FPO
5. FOR UNDER CABINET OR SHELF MOUNT
6. CONFORMS TO UL STD 2108. CERTIFIED TO CSA STD C22.2 NO.250.0.

Using non dimming LED power supply, decoder and controller



Using non dimming LED power supply and decoder

