

# LineLED 24V - Installation Instructions

## Models LLWD60X2-

**Please read all instructions prior to installation and keep for future reference!**

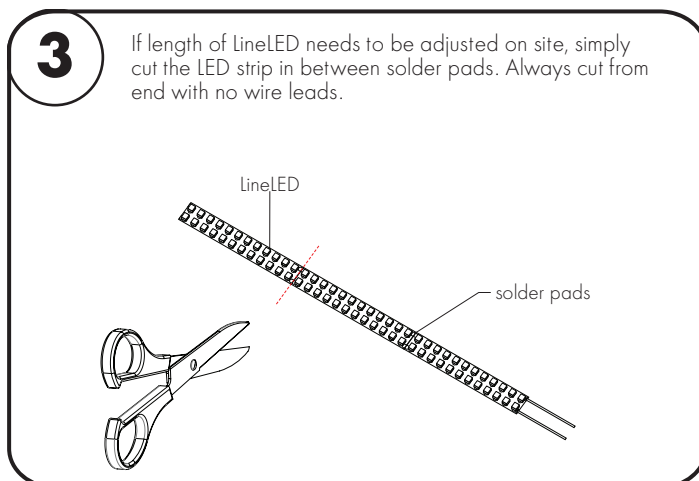
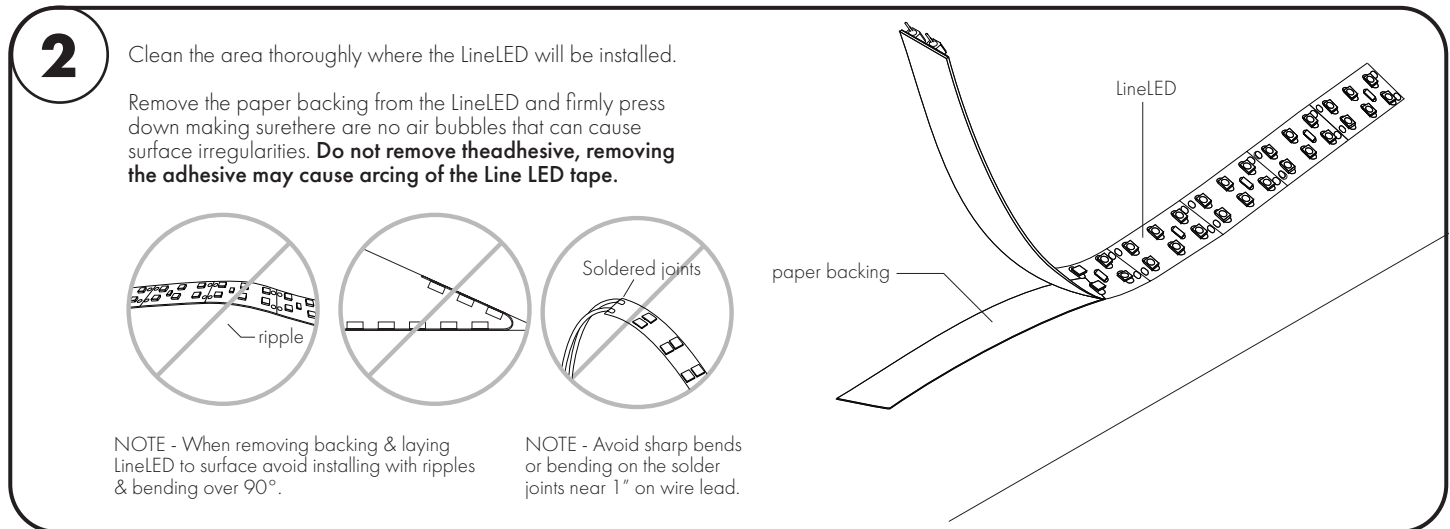
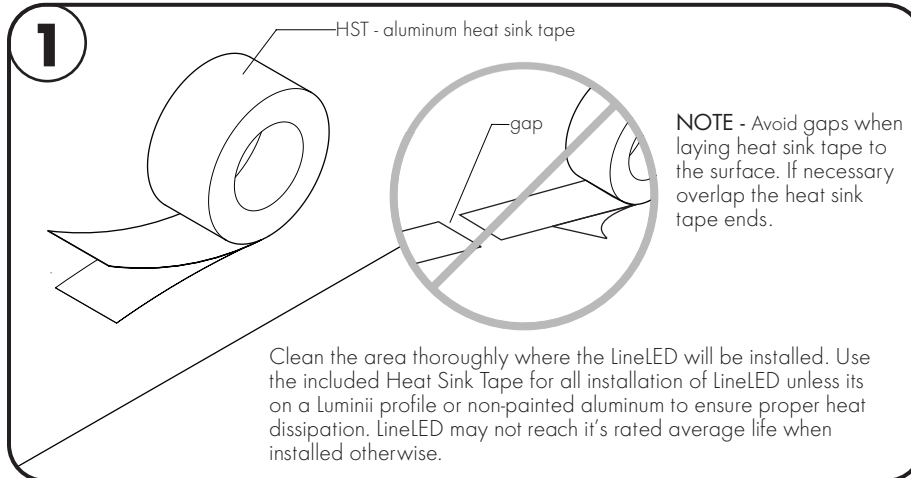
1. Product should be installed by a qualified electrician.
2. Prior to installation ensure power is off at fuse box to prevent electrical shock.
3. Use only with Class 2 power unit. *Utiliser seulement avec Classe 2 unite d'alimentation electrique.*
4. Suitable for Damp Locations. *Convient Aux Emplacements Humides.*
5. For under-cabinet or shelf mount.



Page 1 of 3

**Attention:** Always test LineLED operation before installing.

Connect LineLED to power supply to ensure it is working properly and no damage has occurred during shipping.



# LineLED 24V - Installation Instructions

## Models LLWD60X2-



7777 Merrimac Ave  
Niles, IL 60714  
T 224.333.6033  
F 224.757.7557  
info@luminii.com  
www.luminii.com

**Please read all instructions prior to installation and keep for future reference!**

1. Product should be installed by a qualified electrician.
2. Prior to installation ensure power is off at fuse box to prevent electrical shock.
3. Use only with Class 2 power unit. *Utiliser seulement avec Classe 2 unite d'alimentation electrique.*
4. Suitable for Damp Locations. *Convient Aux Emplacements Humides.*
5. For under-cabinet or shelf mount.

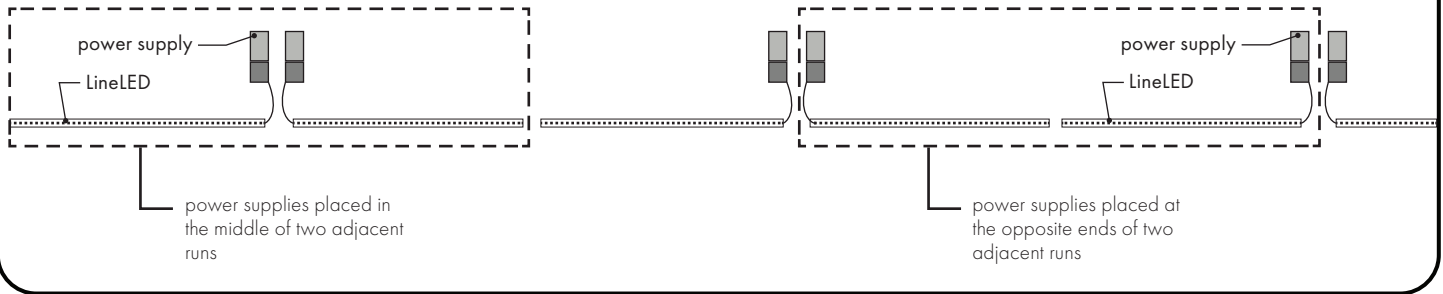


Page 2 of 3

### 4

#### RECOMMENDED LAYOUT FOR MULTIPLE ADJACENT RUNS OF LINELED FED WITH SEPARATE POWER SUPPLIES

Position power supplies either in the middle of two runs or at the opposite ends.



### 5

**Always ensure power to power supply is off!** Follow diagrams to connect power feed wires to power supply. Refer to power supply instructions for wiring line voltage side.

