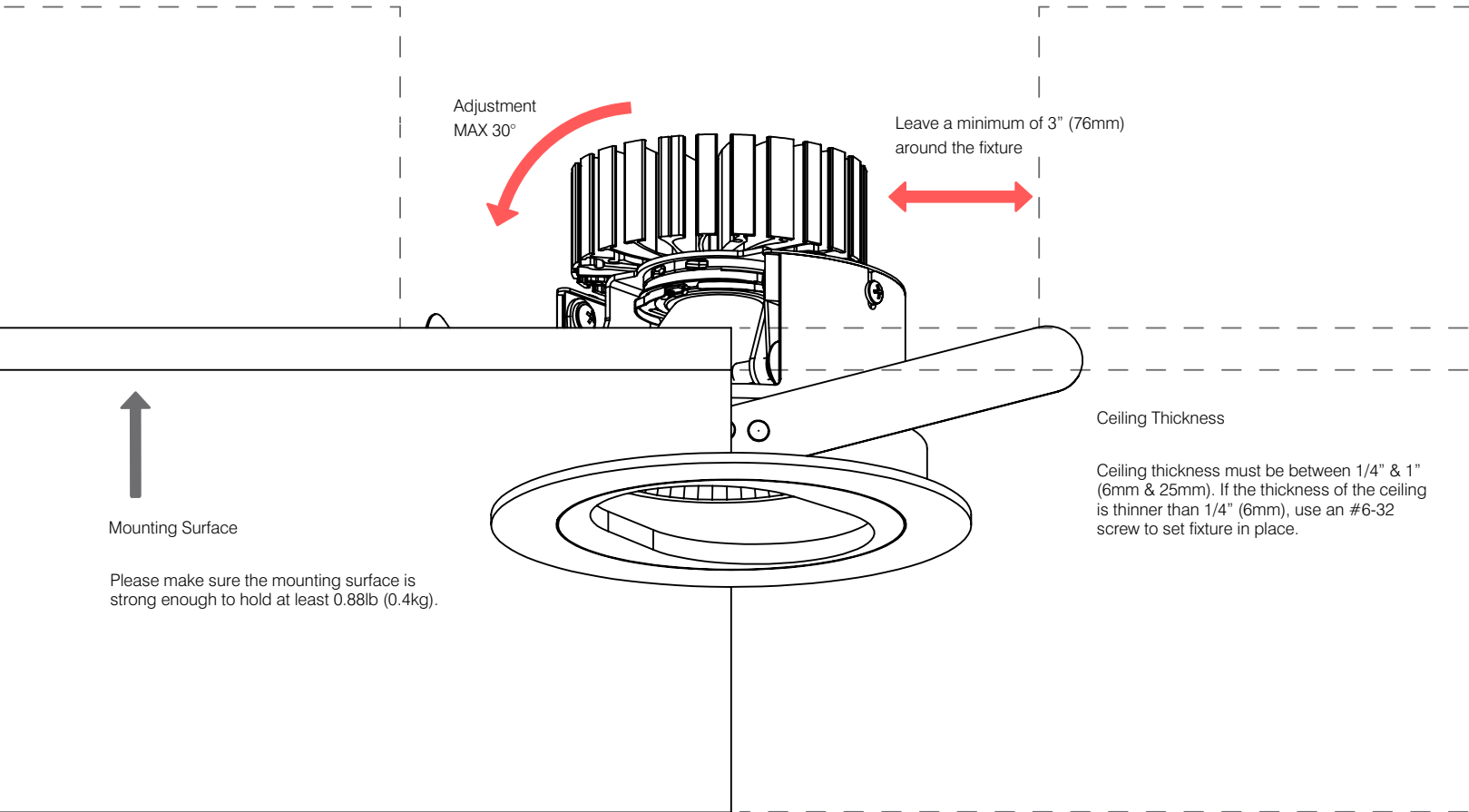


Overview



Mounting Surface

Please make sure the mounting surface is strong enough to hold at least 0.88lb (0.4kg).

Ceiling Thickness

Ceiling thickness must be between 1/4" & 1" (6mm & 25mm). If the thickness of the ceiling is thinner than 1/4" (6mm), use an #6-32 screw to set fixture in place.



Read and follow these instructions before installing or maintaining this product

- This product is suitable for **DRY INDOOR LOCATIONS ONLY**
- Make sure this product is **NOT** on the same circuit as inductive loads, (e.g. fluorescent bulbs, discharge bulbs, ventilation fans, etc...)
- Allow air to flow freely around the fixture
- Do not switch on line voltage until all wiring is complete
- Incorrect wiring will result in irreparable damage to LED and power supply
- This product should only be installed by a licensed electrician

Veillez lire et suivre ces instructions avant l'installation ou l'entretien de ce produit

- Ce produit convient pour une installation **DANS UN ENDROIT SEC SEULEMENT**
- Assurer vous que des charges inductives ne se retrouvent pas sur le même circuit que ce produit, (i.e. fluorescent, ampoules à décharge, ventilateurs, etc...)
- Permettre à l'air de circuler librement autour du luminaire
- Compléter les branchements avant de mettre sous tension
- Un branchement incorrect créerait des dommages irréparables à l'alimentation et au DEL
- Ce produit devrait être uniquement installé par un électricien qualifié



Warranty

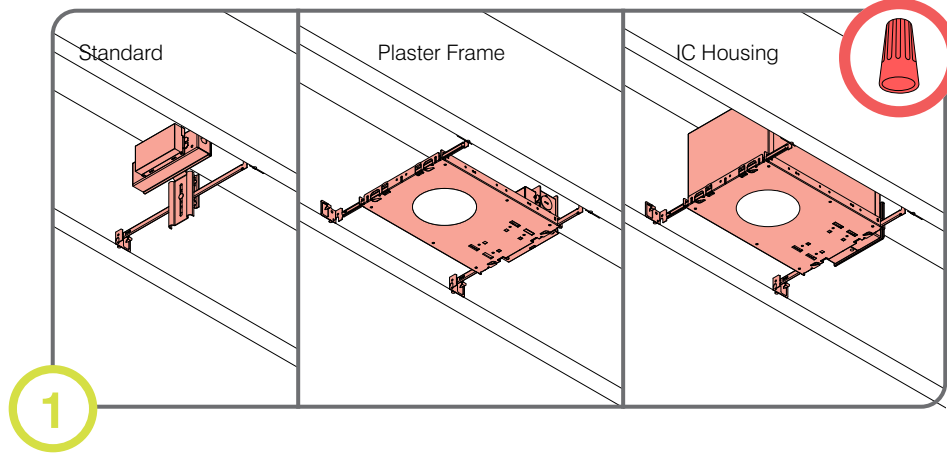
- This product must be installed in accordance with all applicable installation codes and ordinance
- Limited five (5) years warranty
- Warranty is void in the eventuality of unauthorized modifications and/or improper use

Garantie

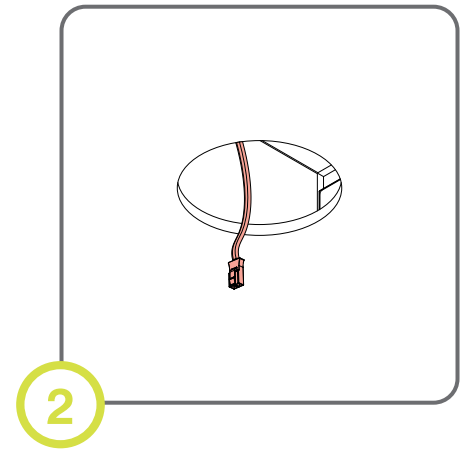
- Ce produit doit être installé conformément au code d'installation et autres normes applicables
- Garantie limitée de cinq (5) ans
- La garantie est non valide advenant une modification non autorisée ou un usage non approprié

Choose Installation Type

Housing Installation



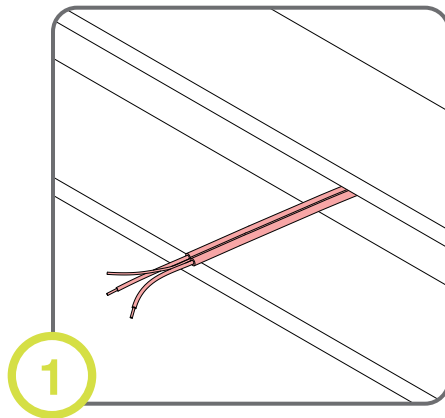
1 Install appropriate housing between ceiling joists. Connect the driver to the line voltage and ground to enclosure.



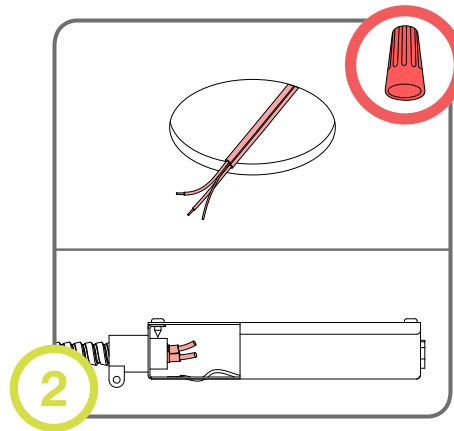
2 Finish ceiling installation. Make sure hole is cut to appropriate size and location.

or

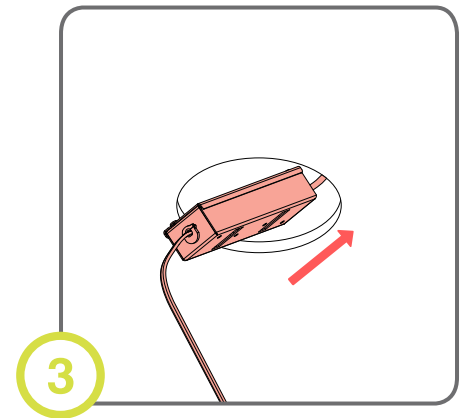
Retrofit & Non Fixed Driver Installation



1 Ensure wire reaches fixture location.

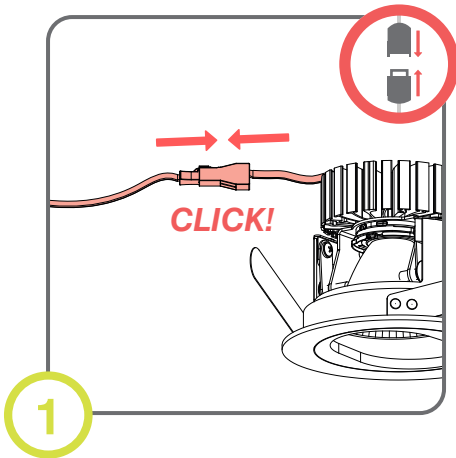


2 Finish ceiling installation. Make sure hole is cut to appropriate size and location. Connect the driver to the line voltage and ground to enclosure.



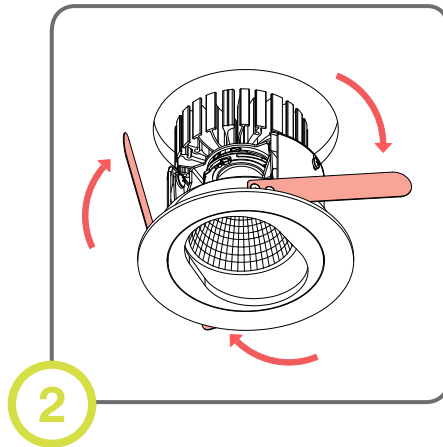
3 Push driver into ceiling.

LETO 8



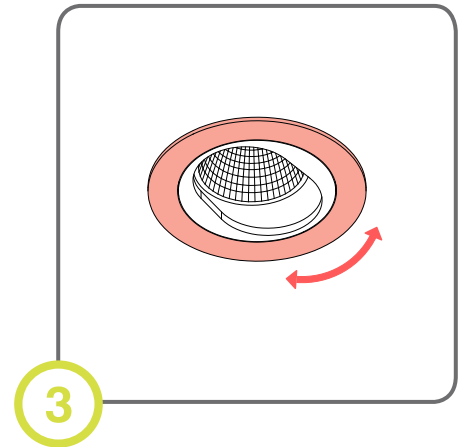
1

Ensure power is off. Lower quick connect wire from ceiling and connect to fixture until you hear a click.



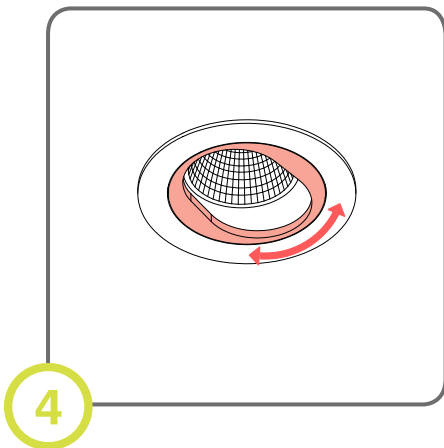
2

Compress the 3 springs inward until they clear the hole in ceiling.



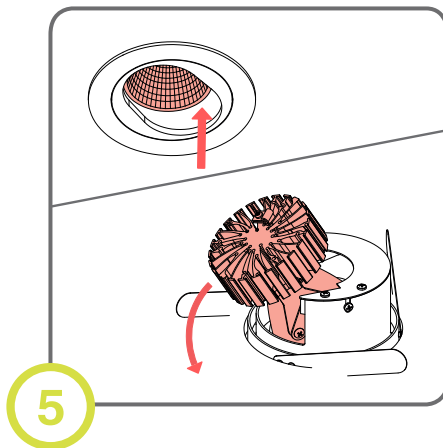
3

Rotate fixture to desired orientation. Push it into hole until springs release and fixture is flush with ceiling.



4

Rotate baffle to fine tune angle.



5

Press against the reflector to adjust angle. (MAX 30°)



Do not scale this when printing this template.
Ne l'augmentez pas lorsque vous imprimez ce modèle.

