

LETO 44 P A SML

ASYMMETRIC LED PENDANT DOWNLIGHT



Leto 44 P A SML - Asymmetric LED Pendant Downlight. Leto 44 P A SML is the asymmetric version of Leto 44 P SML. As a perfect cube, Leto 44 P A SML can be used as both a standalone figure as well as in an array with other Leto 44 P A SML fixtures.

Ordering Code

| | | | | | | | | |
|---------|-------------|---|---|---|---|---|----|----|
| Fixture | 700A | | | | | | | |
| | 1 | 2 | 3 | 4 | 5 | 6 | 7 | 8 |
| Driver | | | | | | | -- | -- |
| | 1 | 2 | 3 | 4 | 5 | 6 | 7 | 8 |

Product Specifications

SAMPLE: Fixture **700A - A90 - 615 - 27 - 07 - DL - 08 - 01** | Driver **952 - 08 - 02 - 01 - STD - 120 - A90 - 07**

| 1 - Model | 2 - LED | 3 - Optic | 4 - CCT | 5 - Lumen | 6 - Accessory | | |
|---|---|---|--|---------------------------|---|---|---|
| 700A · Leto 44 Small Asymmetric Pendant | A90 · 93+ CRI Accuracy | <i>Leto 44 A is equipped with a fixed beam spread. For other optics please contact SENS0.</i> | 25 · 2500K 27 · 2700K 30 · 3000K 35 · 3500K 40 · 4000K 65 · 6500K | 07 · 700 (6.1W) | DL · Diffusing Lens | | |
| 7 - Body Color | 8 - Baffle Color | 1 - Canopy Style | 2 - Canopy Color | 3 - Suspension (6' incl.) | | | |
| <i>Standard</i> 01 · White 02 · Black 08 · Silver | <i>Premium</i> 52 · Mocha 53 · Charcoal 54 · Cerulean 55 · Firebrick XX · RAL | <i>Standard</i> 01 · White 02 · Black 08 · Silver | <i>Premium</i> 52 · Mocha 53 · Charcoal 54 · Cerulean 55 · Firebrick XX · RAL | 956 · Square | <i>Standard</i> 01 · White 02 · Black 08 · Silver | <i>Premium</i> 52 · Mocha 53 · Charcoal 54 · Cerulean 55 · Firebrick XX · RAL | 02 · 2 Aircraft + Feed Cable 03 · Solid Stem (6' MAX) 04 · Hang Straight Solid Stem 05 · 2 Powered Aircraft* <i>Contact Senso for specific length</i> |
| 4 - Suspension Color | 5 - Driver | Dim Level | Dim Level | 6 - Voltage | 7 - LED | 8 - Lumen | |
| 00 · None*1 01 · White 02 · Black 03 · Clear XX · Custom | STD · Non Dimming LCS · 0 - 10 Volt Protocol DIM · Phase*2 ELDOLC · EldoLED 0 - 10 Volt DALI · Dali Protocol | N/A 1% 1% 0.1% 0.1% | LUTES · Hilume Ecodigital LUT2W · 2 Wire for phase*2 DMX · Senso*3 EMG · Emergency Driver*3/4 CSMB · Casambi Wireless Control*3/4 | 1% 1% | 120 · 120V 277 · 277V 347 · 347V*3/5 | Same as Fixture | Same as Fixture |

*1 no suspension color option for **05** - 2 Powered Aircraft

*2 120V only

*3 remote mount

*4 second driver required

*5 not available with ELDO, Lutron or DMX

LETO 44 P A SML

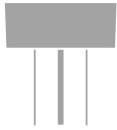
ASYMMETRIC LED PENDANT DOWNLIGHT

Canopy

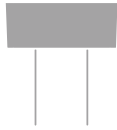
Square Canopy: W/L - 5.67" [144mm] / H - 2.28" [58mm]

Drivers mounted in the Square Canopy: **STD, LCS, DIM, ELDOLC, DALI, LUTES**
Drivers remote mounted: **DMX, EMG, CSMB**

2 Aircraft Cable
w/ Feed Cable



2 Powered
Aircraft Cable



Solid Stem

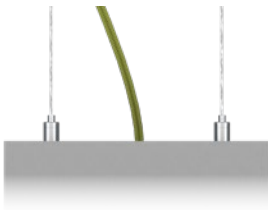


Hang Straight
Solid Stem



Suspension

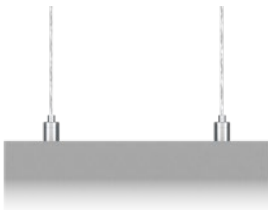
2 Aircraft Cable
w/ Feed Cable



Solid Stem



2 Powered Aircraft



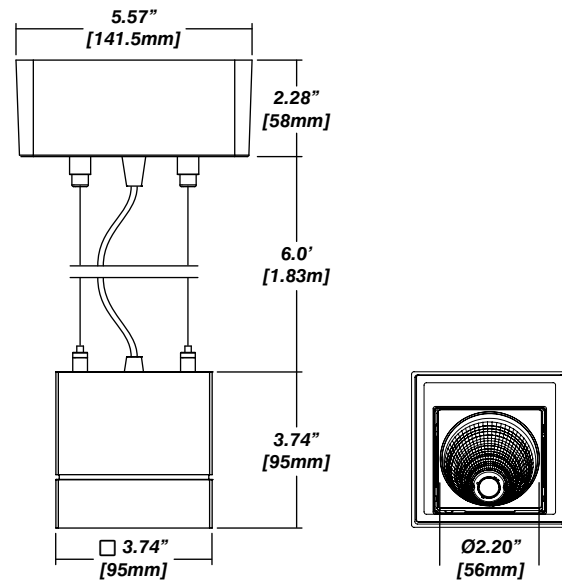
Installation

- The included canopy fits on a standard junction box
- Height adjustable aircraft cable, feed cable or solid stem suspension (specify height) included
- Electrical feed cable included

Construction / Finish

- High quality, scratch resistant powder coated finish in standard, premium or custom colors
- Aluminum extruded Body
- Made in Canada

Dimensions



Accessories

Diffusing Lens



Reflector

Senso metal spun faceted reflectors are specifically designed to retain as much light as possible. This results in a more power efficient fixture with a higher delivered lumen.



LETO 44 P A SML

ASYMMETRIC LED PENDANT DOWNLIGHT



Photometrics

Senso's in-house photometric testing ensures that our lighting design can match your needs precisely. Our Goniophotometer and testing lab produces on-demand photometry files based on any specified fixture, including LM-79 Test reports, IES Files, and CRI/CCT measurements. See Sensolighting.com for more information.

**Full photometric Reports and IES files available for every configuration*

LED Module Performance

Output: Up to 113 lumen/Watt

Efficacy: Color consistency within a 3-MacAdam Ellipse

CCT: 2500K - 6500K

Color Rendering: 93+ CRI

Min. R Values: R⁹ - 60 R^r - 90 R^g - 100

Driver and Power Consumption

Dimming: 1% dimming standard with 0.1% option
Casambi wireless control available

Ripple: Industry leading Low ripple

Efficiency: Power Factor >0.9

Efficiency over 85%

Class 2 output for safety

Installation: Canopy or remote mounted

| Lumen Option | Fixture Wattage | Delivered Lumen |
|--------------|-----------------|-----------------|
| 700lm | 6.1W | 691lm |

Color Metrics

TM 30-15

Our clients deserve the best information possible about their lighting choices. That's why Senso has invested in the Illuminating Engineering Society (IES) TM 30-15, a new system that measures an LED light source's color rendering properties. Using Senso's state-of-the-art goniophotometer, this method identifies the optimal light source for your project and helps evaluate the trade-offs between efficacy and color rendering. Senso can provide TM 30-15 data for all of our products.

**Full Color Metric Info Available at Sensolighting.com*