

LETO 44 PLUS S A MID

SURFACE MOUNT ASYMMETRIC LED DOWNLIGHT



Leto 44 Plus S A MID - Surface LED Light. The Leto 44 Plus S A MID is an asymmetric square column, a variant on the Leto 44 Plus S that works well for general lighting and can also be used in other applications.

Ordering Code

| | | | | | | | | |
|---------|-------------|---|----|----|---|---|---|---|
| Fixture | 708A | | -- | | | | | |
| | 1 | 2 | 3 | 4 | 5 | 6 | 7 | 8 |
| Driver | | | -- | -- | | | | |
| | 1 | 2 | 3 | 4 | | | | |

Product Specifications

SAMPLE: Fixture **708A - A90 - - - 27 - 07 - DL - 08 - 01** | Driver **STD - 120 - A90 - 07**

| 1 - Model | 2 - LED | 3 - Optic | 4 - CCT | 5 - Lumen | 6 - Accessory |
|--|-------------------------------|--|--|---|----------------------------|
| 708A · Leto 44 Plus Medium Asymmetric Surface Mount | A90 · 93+ CRI Accuracy | <i>Leto 44 Plus A is equipped with a fixed beam spread. For other optics please contact SENSO.</i> | 25 · 2500K 27 · 2700K 30 · 3000K 35 · 3500K 40 · 4000K 65 · 6500K | 07 · 700 (6.1W) 10 · 1000 (9.1W) 15 · 1500 (14W) 20 · 2000 (19.8W) | DL · Diffusing Lens |

| 7 - Body Color | | 8 - Baffle Color | | 1 - Driver | | Dim Level | |
|--------------------|-----------------------|--------------------|-----------------------|-------------------------------------|------|---|----|
| <i>Standard</i> | <i>Premium</i> | <i>Standard</i> | <i>Premium</i> | STD · Non Dimming | N/A | LUTES · Hilume Ecodigital | 1% |
| 01 · White | 52 · Mocha | 01 · White | 52 · Mocha | LCS · 0 - 10 Volt Protocol | 1% | LUT2W · 2 Wire for phase** | 1% |
| 02 · Black | 53 · Charcoal | 02 · Black | 53 · Charcoal | DIM · Phase** | 1% | DMX · Senso | |
| 08 · Silver | 54 · Cerulean | 08 · Silver | 54 · Cerulean | ELDOLC · EldoLED 0 - 10 Volt | 0.1% | EMG · Emergency Driver** ^{2/3} | |
| | 55 · Firebrick | | 55 · Firebrick | DALI · Dali Protocol | 0.1% | CSMB · Casambi Wireless Control** ^{2/3} | |
| | XX · RAL | | XX · RAL | | | | |

| 2 - Voltage | 3 - LED | 4 - Lumen | | |
|--|-----------------|-----------------|---|--|
| 120 · 120V 277 · 277V 347 · 347V ^{2/4} | Same as Fixture | Same as Fixture | *1 120V only *2 remote mount *3 second driver required *4 not available with ELDO, Lutron or DMX | Project : _____ Quantity : _____ Type : _____ Notes : _____ |

LETO 44 PLUS S A MID

SURFACE MOUNT ASYMMETRIC LED DOWNLIGHT

Reflector

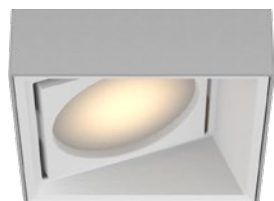
Faceted Reflector

Senso metal spun faceted reflectors are specifically designed to retain as much light as possible. This results in a more power efficient fixture with a higher delivered lumen.



Accessories

Diffusing Lens



Senso's in-house photometric testing ensures that our lighting design can match your needs precisely. Our Goniophotometer and testing lab produces on-demand photometry files based on any specified fixture, including LM-79 Test reports, IES Files, and CRI/CCT measurements. See Sensolighting.com for more information.

**Full photometric Reports and IES files available for every configuration*

Color Metrics

TM 30-15

Our clients deserve the best information possible about their lighting choices. That's why Senso has invested in the Illuminating Engineering Society (IES) TM 30-15, a new system that measures an LED light source's color rendering properties. Using Senso's state-of-the-art goniophotometer, this method identifies the optimal light source for your project and helps evaluate the trade-offs between efficacy and color rendering. Senso can provide TM 30-15 data for all of our products.

**Full Color Metric Info Available at Sensolighting.com*

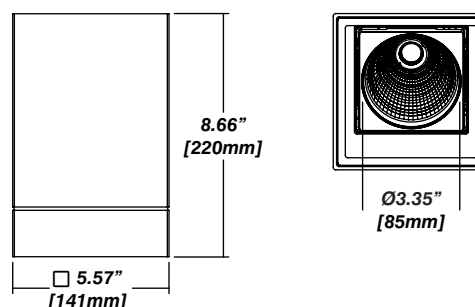
Installation

- Mounting plate included
- Easy, single motion installation method

Construction / Finish

- High quality, scratch resistant powder coated finish in standard, premium or custom colors
- Aluminum extruded Body
- Made in Canada

Dimensions



LED Module Performance

Output: Up to 113 lumen/Watt

Efficacy: Color consistency within a 3-MacAdam Ellipse

CCT: 2500K - 6500K

Color Rendering: 93+ CRI

Min. R Values: R⁹ - 60 R^f - 90 R^a - 100

Driver and Power Consumption

Dimming: 1% dimming standard with 0.1% option
Casambi wireless control available

Ripple: Industry leading Low ripple

Efficiency: Power Factor >0.9

Efficiency over 85%

Class 2 output for safety

Installation: Canopy or remote mounted

| Lumen Option | 700lm | 1000lm | 1500lm | 2000lm |
|-----------------|-------|--------|--------|--------|
| Fixture Wattage | 6.1W | 9.1W | 14W | 19.8W |
| Delivered Lumen | 656lm | 1035lm | 1539lm | 1917lm |