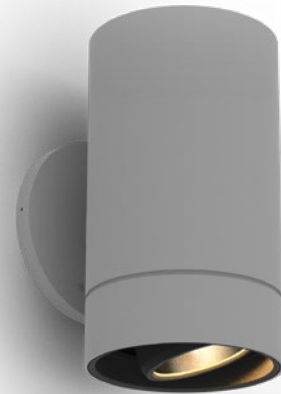


LETO 11 WM UD Adjustable

WALL MOUNT LED UPLIGHT AND ADJUSTABLE DOWNLIGHT



Leto 11 WM UD Adjustable - Wall Mount LED Uplight and Adjustable Downlight. Leto 11 Adjustable is a large cylinder surface mount LED with an adjustable optic. It is the perfect pendant for placing your light exactly where you need it in your space without distracting from your design. 360 degree rotation and up to 30 degree total tilt gives you the flexibility to customize your space however you want.

Ordering Code

Fixture	849							
	1	2	3	4	5	6	7	8
Driver			--	--				
	1	2	3	4				

Product Specifications

SAMPLE: Fixture **849 - A90 - 610 - 27 - 07 - AR - 08 - 02** | Driver **STD - 120 - A90 - 07**

1 - Model	2 - LED	3 - Optic		4 - CCT	5 - Lumen	6 - Accessory*1
849 · Leto 11 UD Adjustable	A90 · 93+ CRI Accuracy	<i>Down</i>	<i>Up</i>	25 · 2500K 27 · 2700K 30 · 3000K 35 · 3500K 40 · 4000K 65 · 6500K	<i>Direct / Indirect</i> 0707 · 700/700 1010 · 1000/1000 1515 · 1500/1500 <small>For other direct / indirect possibilities please contact factory team</small> <small>Wattage on page 3</small>	00 · No Accessory DL · Diffusing Foil HO · Honeycomb SL · Solite Lens
610 · 10° TIR*1		17 · 17°				
618 · 18°		24 · 24°				
630 · 30°		60 · 60°				
645 · 45°						
660 · 60°						

7 - Body Color		8 - Baffle Color		1 - Driver		Dim Level	
<i>Standard</i>	<i>Premium</i>	<i>Standard</i>	<i>Premium</i>	STD · Non Dimming	N/A	LUTES · Hilume Ecodigital*3	1%
01 · White	52 · Mocha	01 · White	52 · Mocha	LCS · 0 - 10 Volt Protocol	1%	LUT2W · 2 Wire for phase*2/3	1%
02 · Black	53 · Charcoal	02 · Black	53 · Charcoal	DIM · Phase*2	1%	DMX · Senso*3	
08 · Silver	54 · Cerulean	08 · Silver	54 · Cerulean	ELDOLC · EldoLED 0 - 10 Volt*3	0.1%	EMG · Emergency Driver*3/4	
	55 · Firebrick		55 · Firebrick	DALI · Dali Protocol*3	0.1%	CSMB · Casambi Wireless Control*3/4	
	XX · RAL		XX · RAL				

2 - Voltage	3 - LED	4 - Lumen
120 · 120V 277 · 277V 347 · 347V*5	Same as Fixture	Same as Fixture

*1 confirm accessories with Senso
*2 120V only
*3 remote mount
*4 second driver required
*6 not available with ELDO, Lutron, EMG or DMX

LETO 11 WM UD Adjustable



WALL MOUNT LED UPLIGHT AND ADJUSTABLE DOWNLIGHT

Reflectors

Senso metal spun faceted reflectors are specifically designed to retain as much light as possible. This results in a more power efficient fixture with a higher delivered lumen.

Faceted Reflector



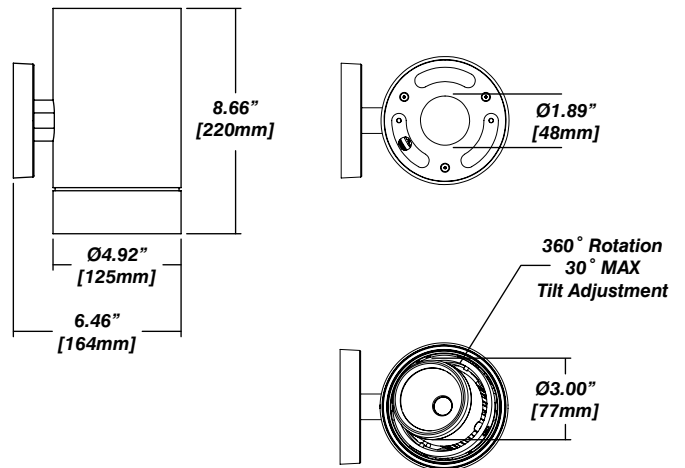
Installation

- Mounting plate included
- Easy, single motion installation method
- 360 degree rotation with up to 30 degrees of tilt

Construction / Finish

- High quality, scratch resistant powder coated finish in standard, premium or custom colors
- Aluminum extruded Body
- Made in Canada

Dimensions



Accessories

Diffusing Lens



Honeycomb Mesh



Solite Lens



LETO 11 WM UD Adjustable



WALL MOUNT LED UPLIGHT AND ADJUSTABLE DOWNLIGHT

Photometrics

Senso's in-house photometric testing ensures that our lighting design can match your needs precisely. Our Goniophotometer and testing lab produces on-demand photometry files based on any specified fixture, including LM-79 Test reports, IES Files, and CRI/CCT measurements. See Sensolighting.com for more information.

**Full photometric Reports and IES files available for every configuration*

Color Metrics

TM 30-15

Our clients deserve the best information possible about their lighting choices. That's why Senso has invested in the Illuminating Engineering Society (IES) TM 30-15, a new system that measures an LED light source's color rendering properties. Using Senso's state-of-the-art goniophotometer, this method identifies the optimal light source for your project and helps evaluate the trade-offs between efficacy and color rendering. Senso can provide TM 30-15 data for all of our products.

**Full Color Metric Info Available at Sensolighting.com*

LED Module Performance

Output: Up to 113 lumen/Watt

Efficacy: Color consistency within a 3-MacAdam Ellipse

CCT: 2500K - 6500K

Color Rendering: 93+ CRI

Min. R Values: R⁹ - 60 R^f - 90 R⁹ - 100

Driver and Power Consumption

Dimming: 1% dimming standard with 0.1% option
Casambi wireless control available

Ripple: Industry leading Low ripple

Efficiency: Power Factor >0.9
Efficiency over 85%
Class 2 output for safety

Installation: Remote mounted

Lumen Option	700/700	1000/1000	1500/1500
Fixture Wattage	12.2W	18.2W	30W
Delivered Lumen	1270lm	1851lm	2810lm

Leto Light Distribution: Reflector

