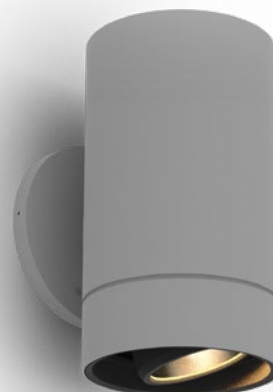


# LETO 11 WM Adjustable

ADJUSTABLE OPTIC WALL MOUNT LED DOWNLIGHT



**Leto 11 WM Adjustable - Adjustable Optic Wall Mount LED.** Leto 11 Adjustable is a large cylinder surface mount LED with an adjustable optic. It is the perfect pendant for placing your light exactly where you need it in your space without distracting from your design. 360 degree rotation and up to 30 degree total tilt gives you the flexibility to customize your space however you want.

## Ordering Code

Fixture	<b>845</b>							
	1	2	3	4	5	6	7	8
Driver			--	--				
	1	2	3	4				

## Product Specifications

SAMPLE: Fixture **845 - A90 - 610 - 27 - 07 - AR - 08 - 02** | Driver **STD - 120 - A90 - 07**

1 - Model	2 - LED	3 - Optic	4 - CCT	5 - Lumen	6 - Accessory <sup>2</sup>
<b>845</b> · Leto 11 WM Adjustable	<b>A90</b> · 93+ CRI Accuracy	<b>610</b> · 10° TIR <sup>1</sup> <b>618</b> · 18° <b>630</b> · 30° <b>645</b> · 45° <b>660</b> · 60°	<b>25</b> · 2500K <b>27</b> · 2700K <b>30</b> · 3000K <b>35</b> · 3500K <b>40</b> · 4000K <b>65</b> · 6500K	<b>07</b> · 700 (6.5W) <b>10</b> · 1000 (9.3W) <b>15</b> · 1500 (12.5W) <b>20</b> · 2000 (19.8W) <sup>1</sup> <b>25</b> · 2500 (22W)	<b>00</b> · No Accessory <b>DL</b> · Diffusing Foil <b>HO</b> · Honeycomb <b>SL</b> · Solite Lens

7 - Body Color		8 - Baffle Color		1 - Driver		Dim Level	
<i>Standard</i>	<i>Premium</i>	<i>Standard</i>	<i>Premium</i>	<b>STD</b> · Non Dimming	N/A	<b>LUTES</b> · Hilume Ecodigital <sup>4</sup>	1%
<b>01</b> · White	<b>52</b> · Mocha	<b>01</b> · White	<b>52</b> · Mocha	<b>LCS</b> · 0 - 10 Volt Protocol	1%	<b>LUT2W</b> · 2 Wire for phase <sup>3/4</sup>	1%
<b>02</b> · Black	<b>53</b> · Charcoal	<b>02</b> · Black	<b>53</b> · Charcoal	<b>DIM</b> · Phase <sup>3</sup>	1%	<b>DMX</b> · Senso <sup>4</sup>	
<b>08</b> · Silver	<b>54</b> · Cerulean	<b>08</b> · Silver	<b>54</b> · Cerulean	<b>ELDOLC</b> · EldoLED 0 - 10 Volt <sup>4</sup>	0.1%	<b>EMG</b> · Emergency Driver <sup>4/5</sup>	
	<b>55</b> · Firebrick		<b>55</b> · Firebrick	<b>DALI</b> · Dali Protocol <sup>4</sup>	0.1%	<b>CSMB</b> · Casambi Wireless Control <sup>4/5</sup>	
	<b>XX</b> · RAL		<b>XX</b> · RAL				

2 - Voltage	3 - LED	4 - Lumen
<b>120</b> · 120V <b>277</b> · 277V <b>347</b> · 347V <sup>6</sup>	Same as Fixture	Same as Fixture

\*1 10° TIR 2000lm MAX  
\*2 confirm accessories with Senso  
\*3 120V only  
\*4 remote mount  
\*5 second driver required  
\*6 not available with ELDO, Lutron, EMG or DMX

# LETO 11 WM Adjustable

ADJUSTABLE OPTIC WALL MOUNT LED DOWNLIGHT



## Reflectors

Senso metal spun faceted reflectors are specifically designed to retain as much light as possible. This results in a more power efficient fixture with a higher delivered lumen.

**Faceted Reflector**



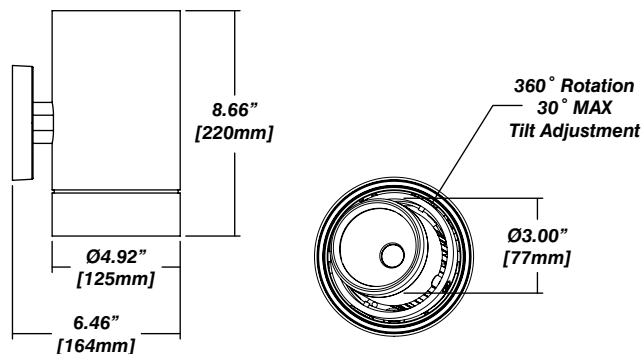
## Installation

- Mounting plate included
- Easy, single motion installation method
- 360 degree rotation with up to 30 degrees of tilt

## Construction / Finish

- High quality, scratch resistant powder coated finish in standard, premium or custom colors
- Aluminum extruded Body
- Made in Canada

## Dimensions



## Accessories

**Diffusing Lens**



**Honeycomb Mesh**



**Solite Lens**



# LETO 11 WM Adjustable



ADJUSTABLE OPTIC WALL MOUNT LED DOWNLIGHT

## Photometrics

Senso's in-house photometric testing ensures that our lighting design can match your needs precisely. Our Goniophotometer and testing lab produces on-demand photometry files based on any specified fixture, including LM-79 Test reports, IES Files, and CRI/CCT measurements. See [Sensolighting.com](http://Sensolighting.com) for more information.

*\*Full photometric Reports and IES files available for every configuration*

## Color Metrics

### TM 30-15

Our clients deserve the best information possible about their lighting choices. That's why Senso has invested in the Illuminating Engineering Society (IES) TM 30-15, a new system that measures an LED light source's color rendering properties. Using Senso's state-of-the-art goniophotometer, this method identifies the optimal light source for your project and helps evaluate the trade-offs between efficacy and color rendering. Senso can provide TM 30-15 data for all of our products.

*\*Full Color Metric Info Available at [Sensolighting.com](http://Sensolighting.com)*

## LED Module Performance

**Output:** Up to 113 lumen/Watt

**Efficacy:** Color consistency within a 3-MacAdam Ellipse

**CCT:** 2500K - 6500K

**Color Rendering:** 93+ CRI

**Min. R Values:** R<sup>9</sup> - 60 R<sup>f</sup> - 90 R<sup>a</sup> - 100

## Driver and Power Consumption

**Dimming:** 1% dimming standard with 0.1% option  
Casambi wireless control available

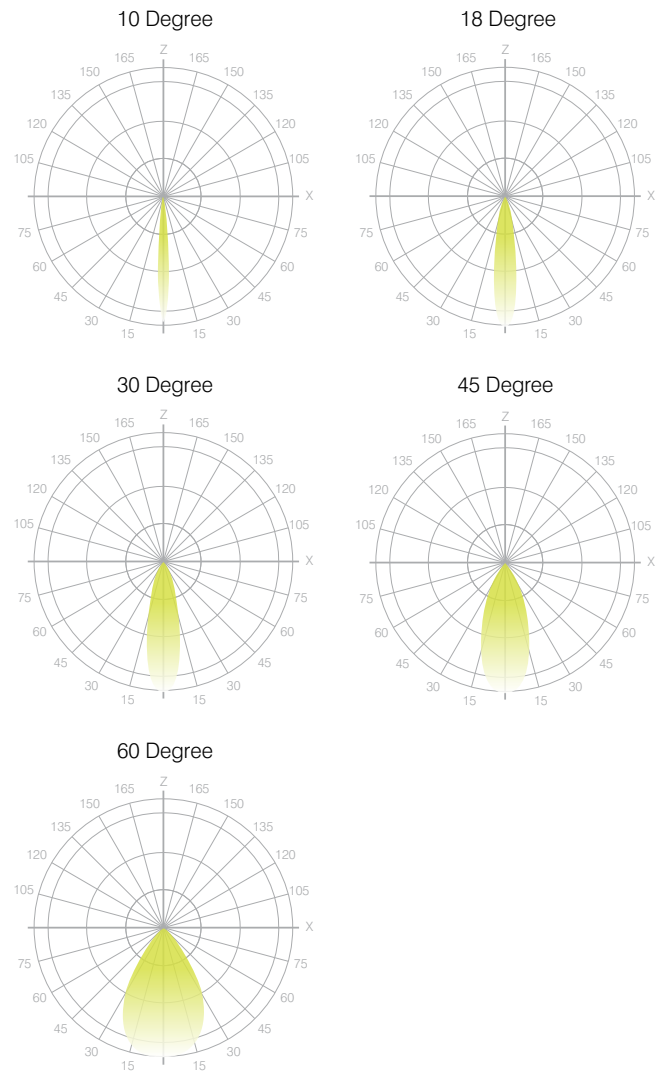
**Ripple:** Industry leading Low ripple

**Efficiency:** Power Factor >0.9  
Efficiency over 85%

Class 2 output for safety

**Installation:** Remote mounted

## Leto Light Distribution: Reflector



Lumen Option	700lm	1000lm	1500lm	2000lm
Fixture Wattage	6.1W	9.1W	14W	19.8W
Delivered Lumen	656lm	1035lm	1539lm	1917lm