

# LETO 11 LB LP

LOW BAY PENDANT LED DOWNLIGHT



**Leto 11 LB LP - Low Bay Pendant LED Downlight.** LETO 11 LB LP is the solution for any low bay lighting application needs. Its ability to evenly light floors and working planes makes it ideal for office spaces, boardrooms and studios.

## Ordering Code

Fixture	<b>795</b>								
	1	2	3	4	5	6	7	8	9
Driver							--	--	
	1	2	3	4	5	6	7	8	

## Product Specifications

**SAMPLE:** Fixture **795 - A90 - 618 - 27 - 07 - CR - 01 - 01 - 00** | Driver **951 - 01 - 00 - 08 - STD - 120 - A90 - 07**

1 - Model	2 - LED	3 - Optic	4 - CCT	5 - Lumen	6 - Accessory	
<b>795</b> · Leto 11 LB LP	<b>A90</b> · 93+ CRI Accuracy	<i>Faceted</i> <b>618</b> · 18° <b>630S</b> · 30° <b>630</b> · 30° <b>645S</b> · 45° <b>645</b> · 45° <b>660</b> · 60°	<b>25</b> · 2500K <b>27</b> · 2700K <b>30</b> · 3000K <b>35</b> · 3500K <b>40</b> · 4000K <b>65</b> · 6500K	<b>07</b> · 700 (7.5W) <b>10</b> · 1000 (10.2W) <b>15</b> · 1500 (16.4W) <b>20</b> · 2000 (24.9W)	<b>CR</b> · Clear Reflector <b>FR</b> · Frosted Reflector <b>MR</b> · Metal Reflector	
7 - Body Color	8 - Baffle Color	9 - Metal Reflector Color*1	1 - Canopy Style	2 - Canopy Color		
<i>Standard</i> <i>Premium</i> <b>01</b> · White <b>52</b> · Mocha <b>02</b> · Black <b>53</b> · Charcoal <b>08</b> · Silver <b>54</b> · Cerulean <b>55</b> · Firebrick <b>XX</b> · RAL	<i>Standard</i> <i>Premium</i> <b>01</b> · White <b>52</b> · Mocha <b>02</b> · Black <b>53</b> · Charcoal <b>08</b> · Silver <b>54</b> · Cerulean <b>55</b> · Firebrick <b>XX</b> · RAL	<i>Standard</i> <i>Premium</i> <b>00</b> · None <b>52</b> · Mocha <b>01</b> · White <b>53</b> · Charcoal <b>02</b> · Black <b>54</b> · Cerulean <b>08</b> · Silver <b>55</b> · Firebrick <b>XX</b> · RAL	<b>951</b> · Round <b>951F</b> · Round Flangeless <b>952</b> · Square	<i>Standard</i> <i>Premium</i> <b>01</b> · White <b>52</b> · Mocha <b>02</b> · Black <b>53</b> · Charcoal <b>08</b> · Silver <b>54</b> · Cerulean <b>55</b> · Firebrick <b>XX</b> · RAL		
3 - Suspension (6' incl.)	4 - Suspension Color	5 - Driver	Dim Level	6 - Voltage	7 - LED	8 - Lumen
<b>00</b> · Feed Cable <b>01</b> · 1 Aircraft + Feed Cable <b>02</b> · 2 Aircraft + Feed Cable <b>03</b> · Solid Stem (6' MAX) <b>04</b> · Hang Straight Solid Stem <b>05</b> · 2 Powered Aircraft*2 Contact <b>SENSO</b> for custom length	<b>00</b> · None*2 <b>01</b> · White <b>02</b> · Black <b>03</b> · Clear <b>XX</b> · Custom	<b>STD</b> · Non Dimming <b>LCS</b> · 0 - 10 Volt Protocol <b>DIM</b> · Phase*3 <b>ELDOLC</b> · EldoLED 0 - 10 Volt*4 <b>DALI</b> · Dali Protocol*4 <b>LUTES</b> · Hilume Ecodigital*4 <b>LUT2W</b> · 2 Wire for phase*3/4 <b>DMX</b> · SENSO*6 <b>EMG</b> · Emergency Driver*6/7 <b>CSMB</b> · Casambi Wireless Control*5/6	N/A 1% 1% 0.1% 0.1% 1% 1%	<b>120</b> · 120V <b>277</b> · 277V <b>347</b> · 347V*5/6	Same as Fixture Same as Fixture	Same as Fixture Same as Fixture

\*1 for **MR** - Metal Reflector only (otherwise select **00**)  
 \*2 no feed cable color option for **05** - 2 Powered Aircraft  
 \*3 120V only  
 \*4 requires square canopy  
 \*5 not available with ELDO, Lutron or DMX  
 \*6 remote mount  
 \*7 second driver required

# LETO 11 LB LP

LOW BAY PENDANT LED DOWNLIGHT

## Canopy / Suspension

**Round Canopy:** W - Ø5.17" [131.24 mm] / H - 2.36" [60mm]

Drivers mounted in the Round Canopy: **STD, LCS, DIM**

Drivers remote mounted: **ELDOLC, DALI, LUTES, LUTW2, DMX, EMG, CSMB**

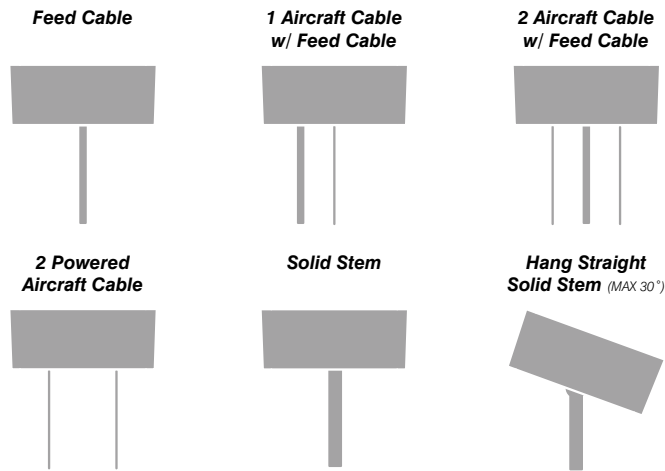
**Square Canopy:** W/L - 5.67" [144mm] / H - 2.28" [58mm]

Drivers mounted in the Square Canopy: **STD, LCS, DIM, ELDOLC, DALI, LUTES**

Drivers remote mounted: **DMX, EMG, CSMB**

**Round Flangless:** W - Ø2.53" [64.25 mm]

All drivers remote mount



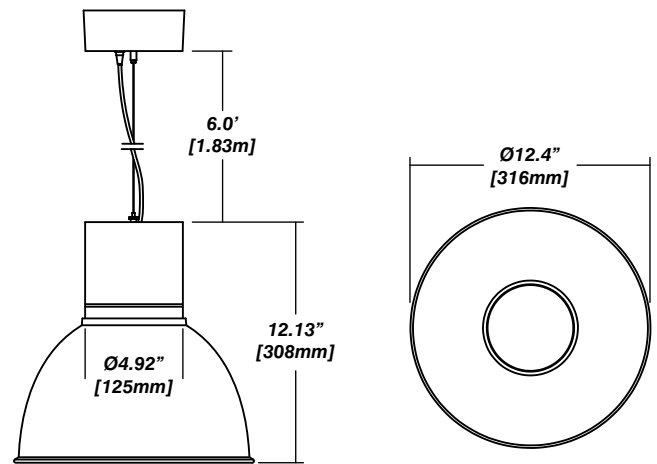
## Installation

- The included canopy fits on a standard junction box
- Height adjustable aircraft cable, feed cable or solid stem suspension (specify height) included
- Electrical feed cable included

## Construction / Finish

- High quality, scratch resistant powder coated finish in standard, premium or custom colors
- Aluminum extruded Body
- Made in Canada

## Dimensions



## Reflectors

Senso metal spun faceted reflectors are specifically designed to retain as much light as possible. This results in a more power efficient fixture with a higher delivered lumen.



# LETO 11 LB LP

LOW BAY PENDANT LED DOWNLIGHT



## Photometrics

Senso's in-house photometric testing ensures that our lighting design can match your needs precisely. Our Goniophotometer and testing lab produces on-demand photometry files based on any specified fixture, including LM-79 Test reports, IES Files, and CRI/CCT measurements. See [Sensolighting.com](http://Sensolighting.com) for more information.

*\*Full photometric Reports and IES files available for every configuration*

## Color Metrics

### TM 30-15

Our clients deserve the best information possible about their lighting choices. That's why Senso has invested in the Illuminating Engineering Society (IES) TM 30-15, a new system that measures an LED light source's color rendering properties. Using Senso's state-of-the-art goniophotometer, this method identifies the optimal light source for your project and helps evaluate the trade-offs between efficacy and color rendering. Senso can provide TM 30-15 data for all of our products.

*\*Full Color Metric Info Available at [Sensolighting.com](http://Sensolighting.com)*

## LED Module Performance

**Output:** Up to 82 lumen/Watt

**Efficacy:** Color consistency within a 3-MacAdam Ellipse

**CCT:** 2500K - 6500K

**Color Rendering:** 93+ CRI

**Min. R Values:** R<sup>9</sup> - 60 R<sup>f</sup> - 90 R<sup>a</sup> - 100

## Driver and Power Consumption

**Dimming:** 1% dimming standard with 0.1% option  
Casambi wireless control available

**Ripple:** Industry leading Low ripple

**Efficiency:** Power Factor >0.9

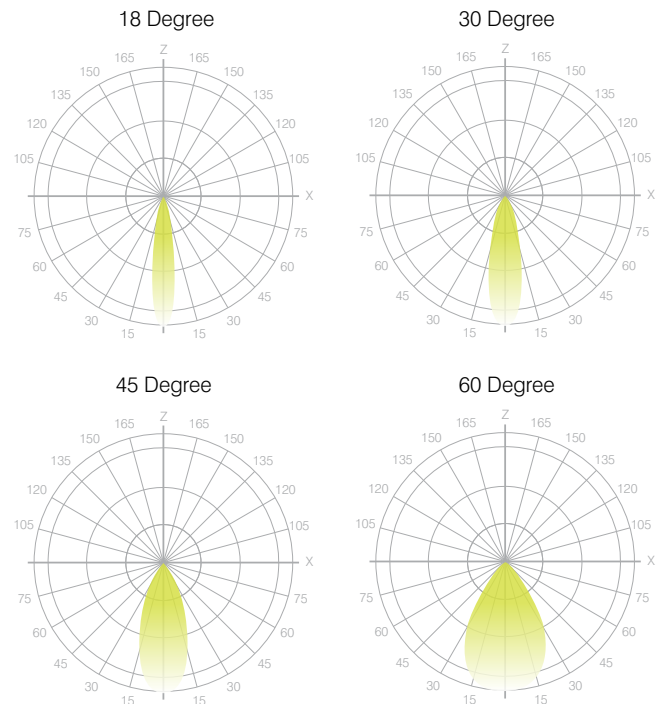
Efficiency over 85%

Class 2 output for safety

**Installation:** Remote mounted

Lumen Option	700lm	1000lm	1500lm	2000lm
Fixture Wattage	7.5W	10.2W	16.4W	24.9W
Delivered Lumen	681lm	956lm	1416lm	1952lm

## Leto Light Distribution: Reflector



# LETO 11 LB LP

LOW BAY PENDANT LED DOWNLIGHT

