

# LATONA 2

RECESSED ADJUSTABLE LED DOWNLIGHT



**Latona 2 - Recessed Adjustable downlight.** The Latona 2, a smaller, stylish recessed fixture, features a 30° adjustable aperture that uses the 93+ CRI Accuracy module as its potent LED power source.

## Ordering Code

Fixture	<b>511</b>							
	1	2	3	4	5	6	7	8
Driver		<b>511</b>	--			--	--	--
	1	2	3	4	5	6	7	8

## Product Specifications

**SAMPLE:** Fixture **511 - FL - 90 - 615 - 27 - 07 - 00 - 01** | Driver **910 - 511 - FL - STD - 120 - 90 - 07 - 01**

1 - Model	2 - Trim	3 - LED	4 - Reflector	5 - CCT	6 - Lumen	7 - Accessory
<b>511</b> · Latona 2	<b>FL</b> · Flanged <b>99</b> · Flangeless	<b>A90</b> · 93+ CRI Accuracy	<b>615</b> · 15° <b>638F</b> · 38° Faceted <b>640</b> · 40° <b>660</b> · 60°	<b>27</b> · 2700K <b>30</b> · 3000K <b>35</b> · 3500K <b>40</b> · 4000K	<b>07</b> · 700 (6.1W) <b>10</b> · 1000 (9.1W) <b>15</b> · 1500 (14W)	<b>00</b> · No Accessory <b>DL</b> · Diffusing Lens

8 - Finish	1 - Housing Style	2 - Model	3 - Trim	4 - Driver	Dim Level	Dim Level
<b>01</b> · White <b>02</b> · Black <b>08</b> · Silver <b>XX</b> · Custom	<b>910</b> · Remote <b>915</b> · New construction <b>920</b> · IC Housing <sup>*1/2/8</sup>	Same as Fixture	Same as Fixture	<b>STD</b> · Non Dimming <b>LCS</b> · 0 - 10 Volt Protocol <b>DIM</b> · Phase <sup>*3</sup> <b>ELDOLC</b> · EldoLED 0 - 10 Volt <sup>*4</sup> <b>DALI</b> · Dali Protocol <sup>*4</sup>	N/A 1% 1% 0.1% 0.1%	<b>LUTES</b> · Hilume Ecodigital <sup>*4</sup> 1% <b>LUT2W</b> · 2 Wire for phase <sup>*3/4</sup> 1% <b>DMX</b> · SENSO <sup>*4</sup> <b>EMG</b> · Emergency Driver <sup>*4/5</sup>

5 - Line Voltage	6 - LED	7 - Lumen	8 - Finish <sup>*7</sup>
<b>120</b> · 120V <b>277</b> · 277V <b>347</b> · 347V <sup>*4/6</sup>	Same as Fixture	Same as Fixture	Same as Fixture <i>Only required with Flangeless Trim</i>

Project : \_\_\_\_\_  
 Quantity : \_\_\_\_\_  
 Type : \_\_\_\_\_  
 Notes : \_\_\_\_\_

\*1 1000lm max  
 \*2 Not available with flangeless trim  
 \*3 120V only  
 \*4 Requires remote housing  
 \*5 Specified separately  
 \*6 Not available with ELDO, Lutron or DMX  
 \*7 Only required with **Flangeless Trim**  
 \*8 JA8 Compliant

# LATONA 2

RECESSED ADJUSTABLE LED DOWNLIGHT

## Light Engine

- Output:** up to 1500lm
- High Efficacy:** up to 97 lumen/Watt
- Color Options (CCT):** 2500K, 2700K, 3000K, 3500K, 4000K or 6500K
- Color Consistency:** Range within a 3-MacAdam Ellipse
- Color rendering (CRI):** 93+ CRI & 50+ R9 Value

## Driver

- Dimming:** 1% dimming standard with 0.1% option
- Ripple:** Industry leading Low ripple
- Efficiency:** Power Factor >0.9  
Efficiency over 85%  
Class 2 output for safety
- Installation:** Small Footprint allows retrofit installations

<b>Lumen Option</b>	700lm	1000lm	1500lm
<b>Delivered Lumen</b>	595lm	882lm	1324lm
<b>Fixture Wattage</b>	6.1W	9.1W	14W

## Installation

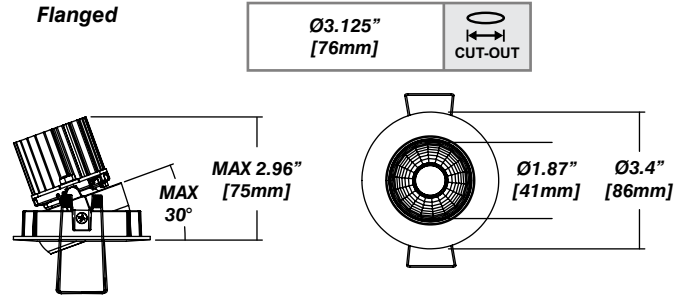
- For new and retrofit installations
- Easy installation with spring loaded tabs
- Simple connection between fixture and driver via quick connect
- 0° to 30° adjustable tilt angle

## Construction/Finish

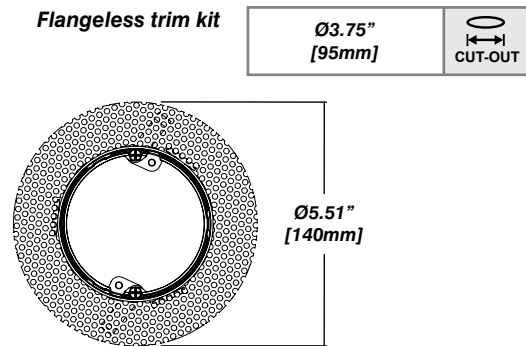
- Powder coated in white, black or silver
- Custom finish are available
- Cast aluminum
- Seismic tether
- Made in Canada

## Dimensions

### Flanged

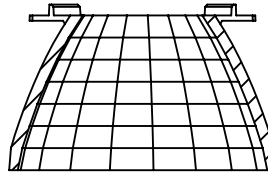


### Flangeless trim kit

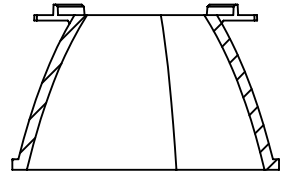


## Reflector

### Faceted Reflector



### Smooth Reflector



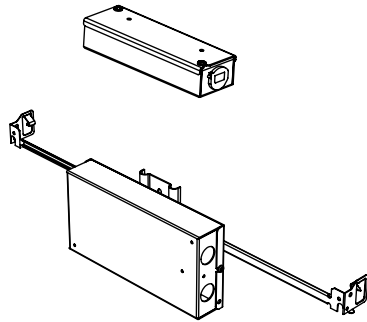
# LATONA 2

RECESSED ADJUSTABLE LED DOWNLIGHT

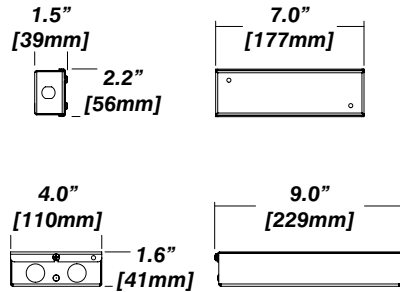


## Housing Options

### Standard Senso Housing - 910



### Dimension



### Included

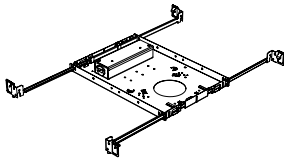
Unless specified otherwise, this is provided as standard

- Bar hanger**
  - Included with large 910 box only
  - Length: from 14-3/16" to 26"
  - Mounting screws not included
- Driver with enclosure**
  - Galvanized steel enclosure
- Security wire**
  - Flexible aircraft cable, 12" long
  - Easy to clip snap body included

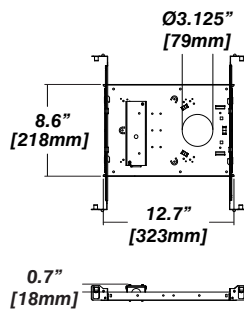
\* driver can be installed either:

- (A) laying on top of ceiling.
- (B) mounted to the bar hanger and fixed to the ceiling.
- (C) remote from the fixture, with the bar hanger still used if desired to secure the fixture

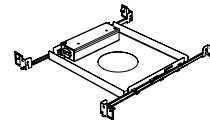
### New Construction - 915 Flanged



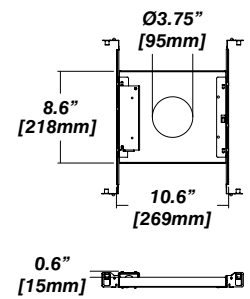
### Dimension



### New Construction - 915 Flangeless



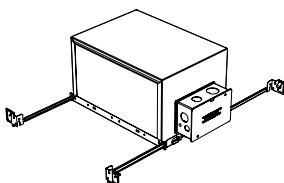
### Dimension



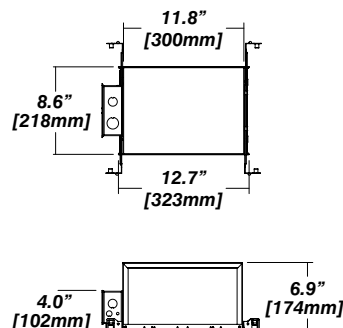
### Included

- Plaster Frame**
  - Galvanized steel construction with cut-out to
- Bar hanger**
  - Length: from 14-3/16" to 26"
- Outlet Box**
  - Standard Senso housing 910 included
- Security wire**
  - Flexible aircraft cable, 12" long
  - Easy to clip snap body included

### IC Housing - 920



### Dimension



### Included

- IC Housing**
  - Galvanized steel construction
  - Airtight
  - Includes gasketed junction box
- Plaster Frame**
  - Galvanized steel construction
- Bar hanger**
  - Length: from 14-3/16" to 26"

**Note:** Lumen output cannot exceed 1000lm  
Not available in flangeless

