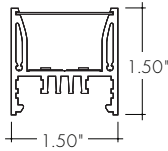




Features

- 24VDC Class 2 fixtures made to order up to 144". Fixtures can be linked up to 24' depending on output
- Suitable surface mount, direct view, and architectural reveal applications
- Approved for closet/storage space installation per NEC 410.16(A)(3) and 410.16(C)(5)
- Class 2 listed for damp locations
- Dot free even illumination with frosted lens
- High Color Quality options offer premium quality and vibrant colors with R9 values up to 97
- High Efficacy options offer best in class output and efficacy with over 1490 lm/ft and up to 105 lm/W
- Proprietary strong bond solder method handles up to 50 lbs of pull force on wire leads and connectors
- 5 Year warranty



Finish Options (see page 2 for additional information)

- Silver Anodized
- White
- Aged Brass
- Black
- Matte Black
- Polished Gold
- Bronze
- Warm Nickel
- Chrome



Technical Information

MODEL	High Color Quality			High Efficacy				High Efficacy
OUTPUT OPTIONS	2x 72SO	2x 72HO	2x 72VHO	2x HE48LO	2x HE48SO	2x HE48MO	2x HE48HO	2x HE64VHO
Lumens Output (3000K) <small>(with a Frosted Lens)</small>	408 lm/ft	663 lm/ft	806 lm/ft	397 lm/ft	550 lm/ft	735 lm/ft	1179 lm/ft	1492 lm/ft
Average Power Consumption <small>(for a 4' section)</small>	5.6 W/ft	9.6 W/ft	12 W/ft	3.8 W/ft	5.6 W/ft	7 W/ft	13 W/ft	15 W/ft
Efficacy	73 lm/W	69 lm/W	67 lm/W	104 lm/W	98 lm/W	105 lm/W	91 lm/W	99 lm/W
Max Run Length <small>(in series)</small>	20 ft	16 ft	11 ft	24 ft	21 ft	17 ft	12 ft	8 ft
Max Ambient Temperature*	50°C [122°F]			50°C [122°F]				45°C [122°F]

*Max Ambient Temperature to maintain L70 of 50k+ hours. Exceeding Max Ambient Temperature may result in decreased life/output. Consult Technical Support for specific inquiries.

High Color Quality (72)

CCT	Multiplier <small>(reference - 3000K)</small>	TM-30			
		CRI	R _f	R _g	R ₉
1900K	0.55	96	94	97	90
2200K	0.70	96	95	101	89
2400K	0.72	98	97	101	91
2700K	0.74	97	96	101	91
3000K	1.00	97	95	104	97
3500K	1.02	97	94	105	97
4100K	1.07	97	90	99	97

High Efficacy (HE48/HE64)

CCT	Multiplier <small>(reference - 3000K)</small>	TM-30			
		CRI	R _f	R _g	R ₉
2200K	0.73	92	91	97	42
2500K	0.81	93	96	96	62
2700K	0.94	92	90	99	58
3000K	1.00	92	89	99	57
3500K	1.02	92	89	99	60
4000K	1.02	92	86	94	71

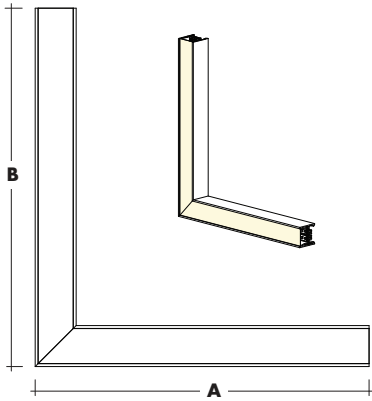
Ordering Code

MODEL	LENGTH ¹	OUTPUT ²	CCT	LENS ³	MOUNTING	FINISH ⁴	LEFT END	RIGHT END	POSITION TYPE	POWER FEED
K-Kilo	12"-144" 1" increments	72SO-Standard 72HO-High 72VHO-Very High	19K-1900K 22K-2200K 24K-2400K 27K-2700K 30K-3000K 35K-3500K 41K-4100K	F-Frosted C-Clear N-No Lens	CB-Concealed Bracket A-Adjustable Hinge Bracket ⁵	SA-Silver Anodized BK-Black BZ-Bronze WH-White MBK-Matte Black WVN-Warm Nickel AB-Aged Brass PG-Polished Gold ⁵ CH-Chrome ⁵	LE-With End Cap LN-Without End Cap	RE-With End Cap RN-Without End Cap	B-Back E-End	1-72" wire leads 2-72" wire leads at both ends 3-Single Quick Connect at other 4-Dual Quick Connect
	12"-144" 2" increments	HE48LO-Low HE48SO-Standard HE48MO-Medium HE48HO-High HE64VHO-Very High	27K-2700K 30K-3000K 35K-3500K 40K-4000K							

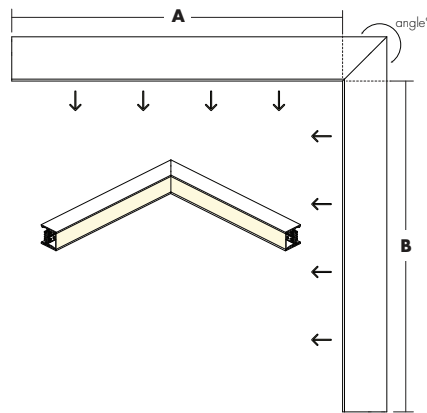
1 - Custom lengths and increments are available, please consult Inside Sales with specific request.
 2 - All High Efficacy options can be used to comply with Title 24 JAB. High Color Quality options can be used to comply with Title 24 JAB depending on Output, CCT, and Lens selections, see multiplier charts to calculate specific efficacies.
 3 - Continuous Lens may be ordered separately for multi-fixture runs to create an even, seamless appearance.
 4 - Non SA finishes have extended lead times. Custom RALs are available, please consult Inside Sales for specific request.
 5 - Polished Gold finishes have a maximum fixture length of 48", and Chrome finishes have a maximum fixture length of 72".
 6 - Adjustable Hinge Bracket not available for System Runs

Kilo Surface Corner Options

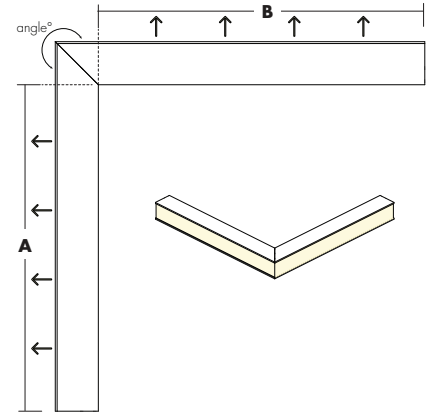
K-FC
Flat Corner



K-IC
Inner Corner



K-OC
Outside Corner



High Color Quality	Actual Length		Total Wattage		
	Corner Type	A	B	72SO	72HO
Flat (K-FC)	11 15/16	13	10.2	17.1	22.6
Outer (K-OC)	11 1/16	11 1/16	10.2	17.1	22.6
Inner (K-IC)	12 5/16	12 5/16	10.2	17.1	22.6

High Efficacy	Actual Length		Total Wattage				Actual Length		Total Wattage	
	Corner Type	A	B	HE48LO	HE48SO	HE48MO	HE48HO	A	B	HE64SO
Flat (K-FC)	12 3/16	13 3/16	6.7	10.2	12.6	23.9	12 8/16	13 8/16	29.5	37.6
Outer (K-OC)	11 5/16	11 5/16	6.7	10.2	12.6	23.9	11 10/16	11 10/16	29.5	37.6
Inner (K-IC)	12 9/16	12 9/16	6.7	10.2	12.6	23.9	12 14/16	12 14/16	29.5	37.6

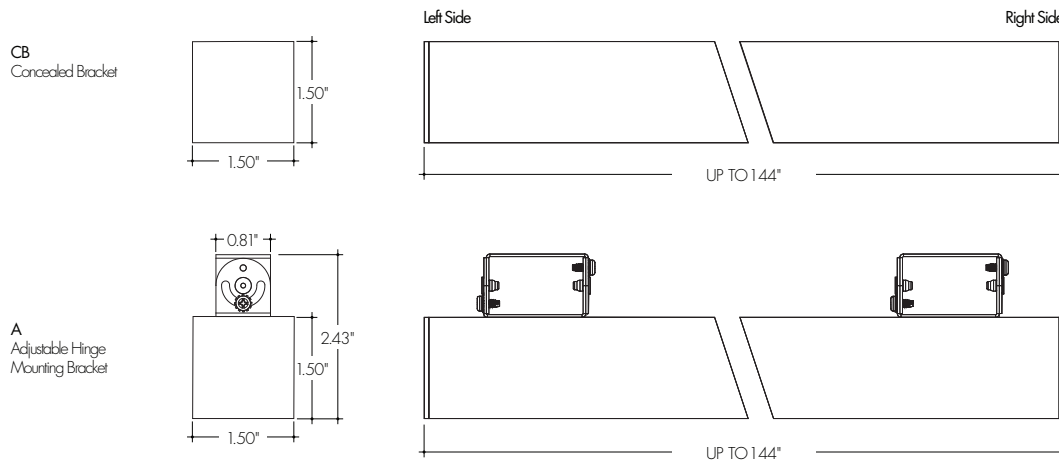
Ordering Code

MODEL	CORNER	ANGLE	OUTPUT ²	CCT	LENS ³	MOUNTING	FINISH ⁴	LEFT END	RIGHT END	POSITION TYPE	POWER FEED
K - Kilo	IC - Inside Corner OC - Outside Corner FC - Flat Corner	90-90° C - Custom Angle Corner ¹	72SO - Standard 72HO - High 72VHO - Very High	19K - 1900K 22K - 2200K 24K - 2400K 27K - 2700K 30K - 3000K 35K - 3500K 41K - 4100K	F - Frosted C - Clear N - None	CB - Concealed Bracket	SA - Silver Anodized BK - Black BZ - Bronze WH - White MBK - Matte Black WN - Warm Nickel AB - Aged Brass PG - Polished Gold ⁵ CH - Chrome ⁵	LE - With End Cap LN - Without End Cap	RE - With End Cap RN - Without End Cap	E - Back B - End	1 - 72" wire leads IX2 - 72" wire leads at both ends 2 - 72" wire leads at one end and Female Quick Connect at other 3 - Single Female Quick Connect 4 - Dual Female Quick Connect
			HE48LO - Low HE48SO - Standard HE48MO - Medium HE48HO - High HE64VHO - Very High	22K - 2200K 25K - 2500K 27K - 2700K 30K - 3000K 35K - 3500K 40K - 4000K							

1 - Custom Angle Corners are available, please consult Inside Sales with specific request.
2 - All High Efficacy options can be used to comply with Title 24 JA8. High Color Quality options can be used to comply with Title 24 JA8 depending on Output, CCT, and lens selections. See multiplier charts to calculate specific efficacies.

3 - Continuous Lens may be ordered separately for multi-fixture runs to create an even, seamless appearance.
4 - Non SA finishes may have extended lead times. Custom RALs are available, please consult Inside Sales with specific request.
5 - Polished Gold finishes have a maximum fixture length of 48", and Chrome finishes have a maximum fixture length of 72"

Product Dimensions

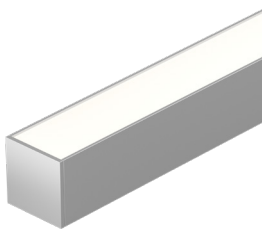


Adjustable Hinge Mounting Bracket is not available on system runs with corners

Finish Options

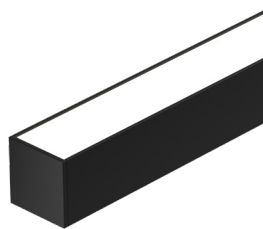
- Finish options are available in a wide variety, allowing for complete customization of style and aesthetic.
- Non Silver Anodized finishes may have extended lead times.
- Polished Gold finishes have a maximum fixture length of 48", and Chrome finishes have a maximum fixture length of 72".
- Custom RALs are available, please consult Inside Sales with specific request.

Silver Anodized



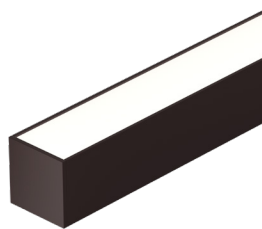
Silver Anodized is a soft silver with a clear finish.

Black



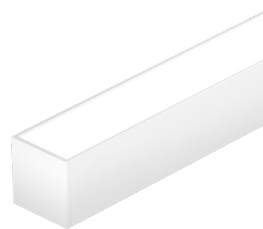
Black is a true deep black with a glossy finish.

Bronze



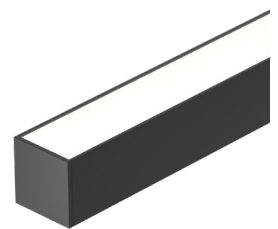
Bronze is a rich, dark brown with a satin finish.

White



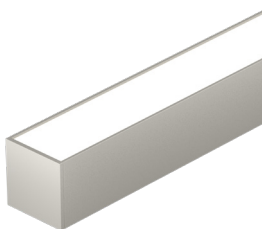
White is a polar bright white and field paintable.

Matte Black



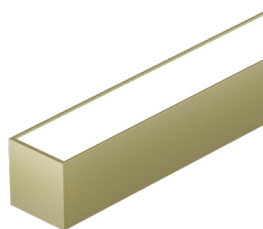
Matte Black is a dark, pitch-black with a soft flat finish.

Warm Nickel



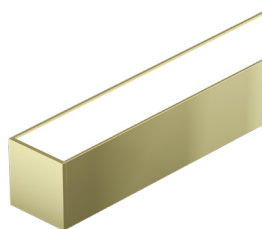
Warm Nickel is a soft, silvery smoke with warm tones and a satin finish.

Aged Brass



Aged Brass is a deep brown shade with slightly golden undertones.

Polished Gold



Polished Gold is bright and radiant for a brilliant finish.

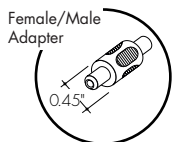
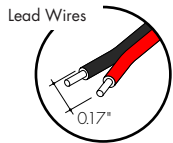
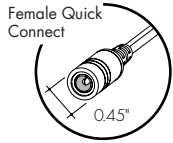
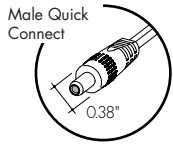
Chrome



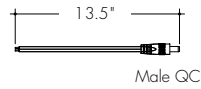
Chrome is a highly reflective silver polish.

Powerfeeds and Connectors

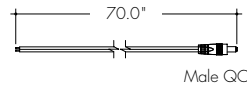
Linking and Extension Cable Options



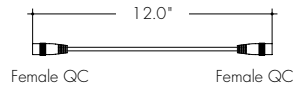
LMC-12
Male quick-connect, 2 pin, 12"



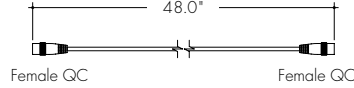
LMC-70
Male quick-connect long, 2 pin, 70"



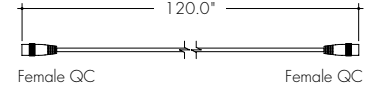
EC-12
Female to Female Extension Cable, 2 pin, 12"



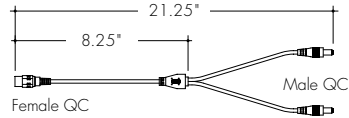
EC-48
Female to Female Extension Cable, 2 pin, 48"



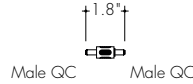
EC-120
Female to Female Extension Cable, 2 pin, 120"



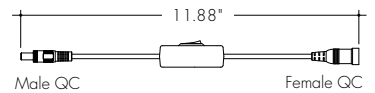
LYC
1 Female to 2 Male Splitter Cable, 2 pin, 12"



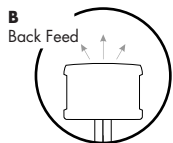
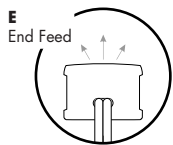
FMA
Female to male adapter



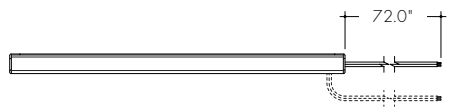
IS-DC
Male to Female Inline DC Switch, 2 pin, 12"



Powerfeeds Position/Type



1
72" wire leads



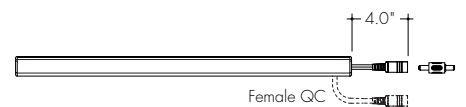
1X2
72" wire leads at both ends



2
72" wire leads at one end and Female Quick Connect at other



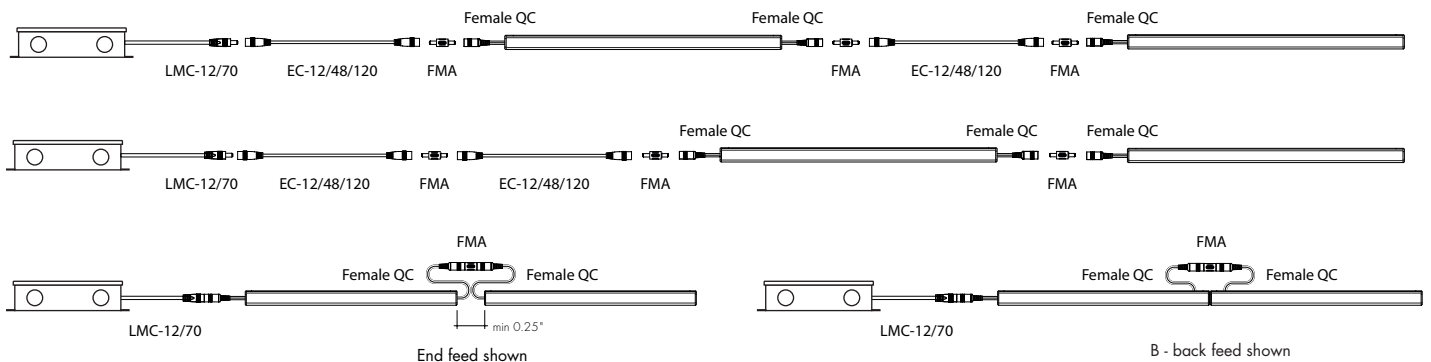
3
Single Female Quick Connect



4
Dual Female Quick Connect

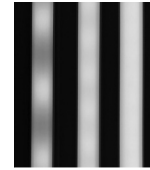


Sample Layout



Light Transmission and Dotting

Output Options	Lens/Accessory	
	Clear Lens	Frosted Lens
72SO	CD	ND
72HO	CD	ND
72VHO	CD	ND
HE48LO	CD	ND
HE48SO	CD	ND
HE48MO	CD	ND
HE48HO	CD	ND
HE64VHO	CD	ND
Transmission Percentage	114%	100%

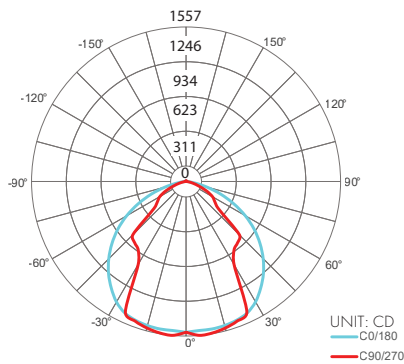


CD SD ND
 CD - Clear Dotting
 SD - Slight Dotting
 ND - No Dotting

Photometry

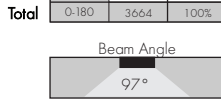
K-48-72VHO-30K-C

Kilo, 4ft, 3000K, VHO, Clear Lens



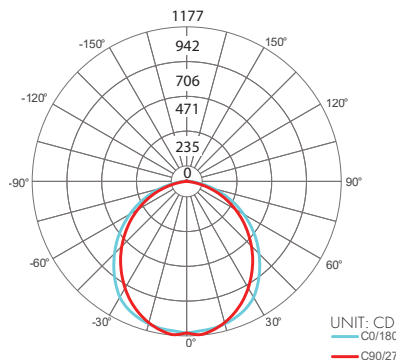
Zonal Lumen Summary 3000K

Zone	Lumen	% Fixture
0-30	1224	33.4%
0-40	1930	52.7%
0-60	3125	85.3%
0-90	3635	99.2%
0-180	3664	100%



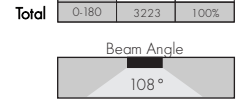
K-48-72VHO-30K-F

Kilo, 4ft, 3000K, VHO, Frosted Lens



Zonal Lumen Summary 3000K

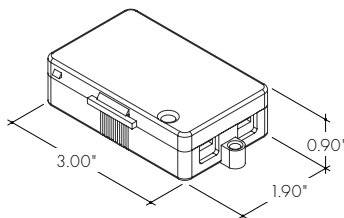
Zone	Lumen	% Fixture
0-30	895	27.8%
0-40	1459	45.3%
0-60	2552	79.2%
0-90	3196	99.2%
0-180	3223	100%



Accessory Options

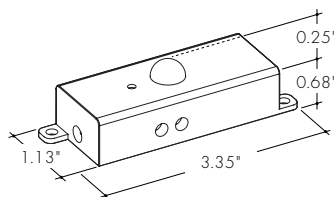
LVSP-4T-BK

Low Voltage, 4 Terminal Splice Box, Black



OS-DC-F4-BK

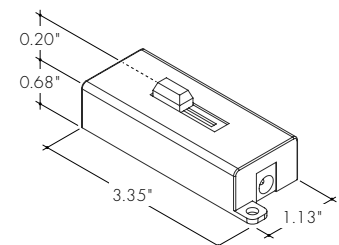
Occupancy Sensor



Male Quick Connect, FMA, LMC, LYC, or IS-DC are required for input and output.

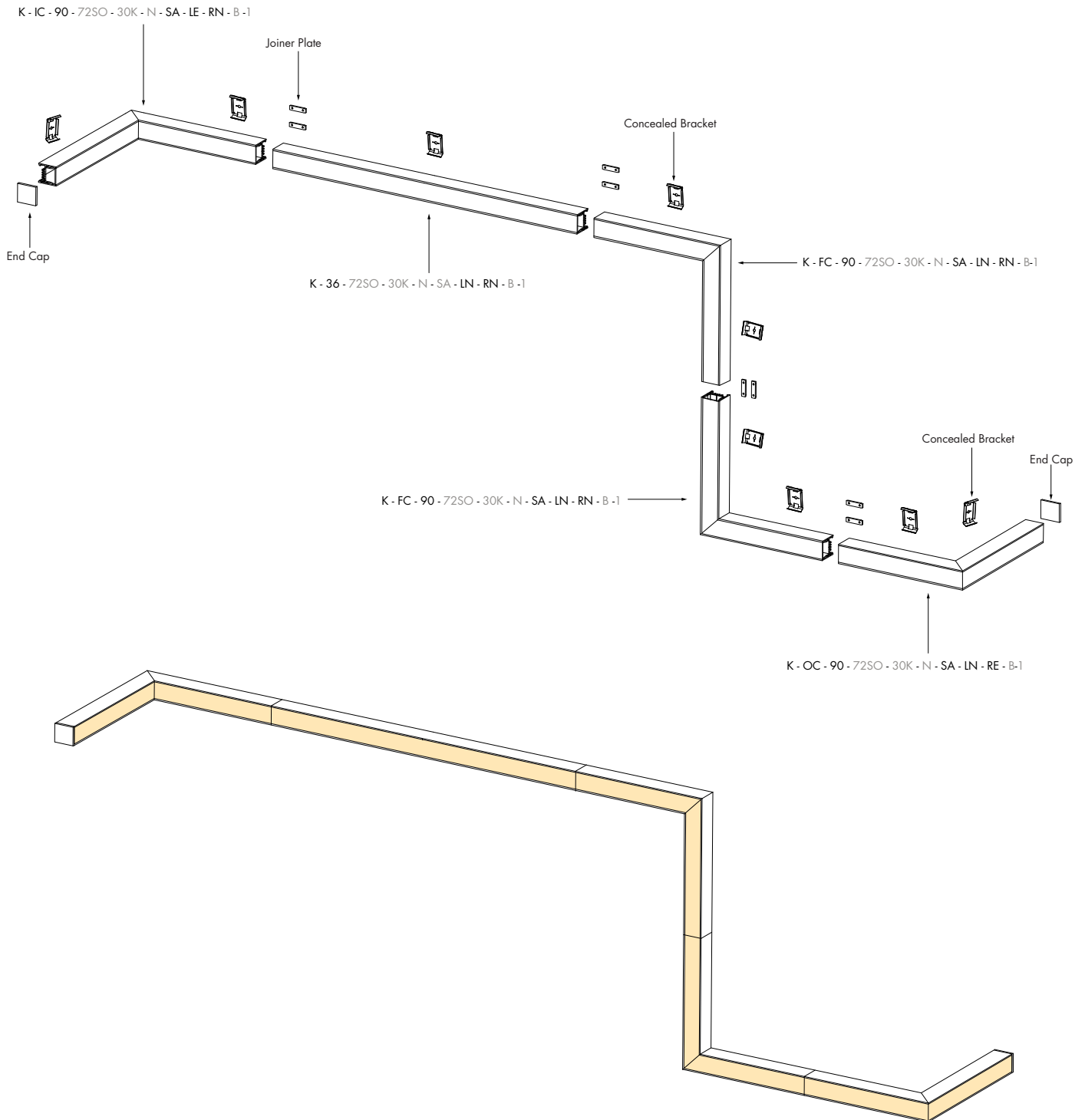
DIM-DC-F4-BK

24VDC Low Voltage In-line Dimmer Module



Male Quick Connect, FMA, LMC, LYC, or IS-DC are required for input and output.

Layout Example



Power Consumption

Tested at Full Power with PDC Series power supplies.

*For Back Feed add 4/16" (1/4") to Actual Length. Standard Nominal Lengths offered provide minimal shadowing. For alternate lengths, please consult Inside Sales with specific request.

High Color Quality (2x 72)

Nominal Length (in)	End Feed Actual Length*	Watts			Nominal Length (in)	End Feed Actual Length*	Watts			Nominal Length (in)	End Feed Actual Length*	Watts			Nominal Length (in)	End Feed Actual Length*	Watts		
		SO	HO	VHO			SO	HO	VHO			SO	HO	VHO			SO	HO	VHO
12	11 5/16	5.1	8.6	11.5	47	46 1/16	20.6	32.9	42.3	82	81 15/16	34.7	53.6	68.8	117	116 11/16	47.3	70.1	88.4
13	12 8/16	5.6	9.4	12.6	48	47 4/16	21.3	33.9	43.4	83	-	-	-	-	118	117 14/16	47.7	70.6	88.8
14	13 10/16	6.2	10.5	14.1	49	48 6/16	21.8	34.6	44.2	84	83 2/16	35.2	54.4	70.7	119	-	-	-	-
15	14 13/16	6.7	11.2	15.0	50	49 9/16	22.2	35.2	45.0	85	84 5/16	35.5	54.9	72.0	120	119	48.0	71.0	89.3
16	15 15/16	7.1	12.0	16.0	51	50 11/16	22.7	36.2	46.3	86	85 7/16	35.9	55.4	72.4	121	120 3/16	48.5	71.7	90.0
17	-	-	-	-	52	51 14/16	23.1	36.8	47.1	87	86 10/16	36.5	56.1	73.1	122	121 5/16	48.7	72.2	90.4
18	17 2/16	7.8	13.1	17.4	53	-	-	-	-	88	87 12/16	36.9	56.6	73.5	123	122 8/16	48.9	72.6	90.8
19	18 4/16	8.2	13.8	18.4	54	53	23.5	37.4	48.0	89	88 15/16	37.3	57.1	74.0	124	123 10/16	49.3	73.3	91.5
20	19 7/16	8.7	14.5	19.3	55	54 3/16	24.1	38.4	49.2	90	-	-	-	-	125	124 13/16	49.5	73.8	91.9
21	20 10/16	9.3	15.6	20.7	56	55 5/16	24.5	39.0	50.0	91	90 1/16	37.7	57.6	74.4	126	125 15/16	49.7	74.3	92.3
22	21 12/16	9.8	16.4	21.7	57	56 8/16	25.0	39.6	50.8	92	91 4/16	38.3	58.4	75.3	127	-	-	-	-
23	22 15/16	10.2	17.1	22.6	58	57 10/16	25.6	40.5	52.0	93	92 6/16	38.7	59.0	76.0	128	127 2/16	50.1	74.8	93.0
24	-	-	-	-	59	58 13/16	26.1	41.1	52.8	94	93 9/16	39.1	59.7	76.7	129	128 5/16	50.4	75.1	93.5
25	24 1/16	10.7	17.8	23.5	60	59 15/16	26.5	41.7	53.6	95	94 11/16	39.8	60.6	77.7	130	129 7/16	50.7	75.4	94.1
26	25 4/16	11.4	18.9	24.9	61	-	-	-	-	96	95 14/16	40.2	61.2	78.4	131	130 10/16	51.1	75.8	94.8
27	26 6/16	11.9	19.7	25.7	62	61 2/16	27.1	42.6	54.7	97	-	-	-	-	132	131 12/16	51.4	76.1	95.3
28	27 9/16	12.3	20.5	26.6	63	62 4/16	27.5	43.1	55.4	98	97	40.6	61.7	78.8	133	132 15/16	51.6	76.4	95.8
29	28 11/16	13.1	21.6	27.8	64	63 7/16	27.9	43.7	56.1	99	98 3/16	41.1	62.3	79.2	134	-	-	-	-
30	29 14/16	13.6	22.4	28.7	65	64 10/16	28.5	44.5	57.1	100	99 5/16	41.4	62.7	79.4	135	134 1/16	51.8	76.7	-
31	-	-	-	-	66	65 12/16	28.9	45.0	57.8	101	100 8/16	41.7	63.0	79.6	136	135 4/16	52.1	77.1	-
32	31	14.0	23.1	29.6	67	66 15/16	29.3	45.5	58.4	102	101 10/16	42.2	63.6	80.0	137	136 6/16	52.2	77.4	-
33	32 3/16	14.7	24.1	31.0	68	-	-	-	-	103	102 13/16	42.6	64.0	80.4	138	137 9/16	52.4	77.7	-
34	33 5/16	15.1	24.7	31.9	69	68 1/16	29.6	45.9	59.1	104	103 15/16	43.0	64.5	81.0	139	138 11/16	52.8	78.2	-
35	34 8/16	15.5	25.4	32.8	70	69 4/16	30.2	46.5	60.0	105	-	-	-	-	140	139 14/16	53.3	78.7	-
36	35 10/16	16.2	26.3	34.2	71	70 6/16	30.5	47.0	60.6	106	105 2/16	43.6	65.3	81.9	141	-	-	-	-
37	36 13/16	16.6	26.9	35.1	72	71 9/16	30.8	47.4	61.3	107	106 5/16	44.0	65.7	82.5	142	141	53.8	79.1	-
38	37 15/16	17.1	27.6	35.9	73	72 11/16	31.4	48.1	62.1	108	107 7/16	44.4	66.2	83.1	143	142 3/16	54.5	79.7	-
39	-	-	-	-	74	73 14/16	31.8	48.8	62.5	109	108 10/16	44.9	66.9	84.0	144	143 5/16	54.9	80.2	-
40	39 2/16	17.7	28.5	37.2	75	-	-	-	-	110	109 12/16	45.2	67.3	84.6					
41	40 4/16	18.1	29.2	38.0	76	75	32.1	49.4	62.9	111	110 15/16	45.5	67.7	85.2					
42	41 7/16	18.5	29.8	38.8	77	76 3/16	32.7	50.4	63.5	112	-	-	-	-					
43	42 10/16	19.2	30.8	40.0	78	77 5/16	33.1	51.1	63.9	113	112 1/16	45.8	68.0	85.7					
44	43 12/16	19.6	31.5	40.8	79	78 8/16	33.5	51.7	64.3	114	113 4/16	46.2	68.6	86.6					
45	44 15/16	20.1	32.2	41.5	80	79 10/16	34.0	52.5	66.2	115	114 6/16	46.5	69.0	87.2					
46	-	-	-	-	81	80 13/16	34.3	53.1	67.5	116	115 9/16	46.8	69.5	87.7					

Power Consumption

Tested at Full Power with PDC Series power supplies.

*For Back Feed add 4/16" (1/4") to Actual Length. Standard Nominal Lengths offered provide minimal shadowing. For alternate lengths, please consult Inside Sales with specific request.

High Efficacy (2x HE48)

Nominal Length (in)	End Feed Actual Length*	Watts				Nominal Length (in)	End Feed Actual Length*	Watts				Nominal Length (in)	End Feed Actual Length*	Watts				Nominal Length (in)	End Feed Actual Length*	Watts			
		LO	SO	MO	HO			LO	SO	MO	HO			LO	SO	MO	HO			LO	SO	MO	HO
12	10 12/16	3.0	4.4	5.8	11.7	47	46 3/16	14.0	22.1	26.9	47.0	82	81 10/16	22.4	37.9	47.1	78.1	117	-	-	-	-	
13	12 12/16	3.7	5.4	7.0	14.7	48	-	-	-	-	83	-	-	-	-	-	118	117 1/16	34.3	54.2	66.8	90.6	
14	-	-	-	-	-	49	48 2/16	14.4	22.8	27.8	48.4	84	83 9/16	22.7	38.8	48.2	79.0	119	-	-	-	-	
15	14 11/16	4.4	6.4	8.1	16.8	50	-	-	-	-	85	-	-	-	-	-	120	119	35.1	55.1	67.9	91.1	
16	-	-	-	-	-	51	50 2/16	15.0	23.7	29.0	50.4	86	85 9/16	23.0	39.7	49.3	79.9	121	121	35.8	56.0	69.0	91.5
17	16 11/16	5.0	7.2	9.0	18.5	52	-	-	-	-	87	-	-	-	-	-	122	-	-	-	-	-	
18	-	-	-	-	-	53	52 1/16	15.6	24.6	30.2	52.3	88	87 8/16	23.2	40.6	50.5	80.8	123	122 15/16	36.4	57.2	69.8	92.1
19	18 10/16	5.7	8.2	10.2	20.6	54	-	-	-	-	89	-	-	-	-	-	124	-	-	-	-	-	
20	-	-	-	-	-	55	54 1/16	16.1	25.5	31.3	54.2	90	89 8/16	23.4	41.5	51.6	81.6	125	124 15/16	37.0	58.3	70.6	92.6
21	20 10/16	6.2	9.2	11.4	22.3	56	-	-	-	-	91	-	-	-	-	-	126	-	-	-	-	-	
22	-	-	-	-	-	57	56	16.7	26.4	32.5	56.1	92	91 7/16	23.7	42.4	52.8	82.4	127	126 14/16	37.7	59.4	71.4	93.1
23	22 9/16	6.7	10.2	12.6	23.9	58	58	17.3	27.3	33.7	57.9	93	-	-	-	-	-	128	-	-	-	-	
24	-	-	-	-	-	59	-	-	-	-	94	93 7/16	24.3	43.3	54.0	83.0	129	128 14/16	38.3	60.0	72.1	93.2	
25	24 9/16	7.1	11.2	13.9	25.4	60	59 15/16	17.8	28.1	34.9	59.6	95	-	-	-	-	-	130	-	-	-	-	
26	-	-	-	-	-	61	-	-	-	-	96	95 6/16	24.9	44.3	55.3	83.6	131	130 13/16	38.9	60.7	72.8	93.3	
27	26 8/16	7.7	12.3	15.1	27.4	62	61 15/16	18.3	29.0	36.0	62.1	97	-	-	-	-	-	132	-	-	-	-	
28	-	-	-	-	-	63	-	-	-	-	98	97 6/16	25.6	45.3	56.5	84.3	133	132 13/16	39.5	61.3	73.5	93.5	
29	28 8/16	8.4	13.5	16.4	29.5	64	63 14/16	18.6	29.9	37.2	65.4	99	-	-	-	-	-	134	-	-	-	-	
30	-	-	-	-	-	65	-	-	-	-	100	99 5/16	26.6	46.2	57.5	84.9	135	134 12/16	40.1	62.4	74.2	93.8	
31	30 7/16	9.0	14.6	17.6	31.6	66	65 14/16	18.9	30.8	38.3	68.6	101	-	-	-	-	-	136	-	-	-	-	
32	-	-	-	-	-	67	-	-	-	-	102	101 5/16	27.6	47.2	58.4	85.5	137	136 12/16	40.8	63.4	74.8	94.2	
33	32 6/16	9.7	15.6	18.7	33.7	68	67 13/16	19.3	31.8	39.4	70.7	103	-	-	-	-	-	138	-	-	-	-	
34	-	-	-	-	-	69	-	-	-	-	104	103 4/16	28.5	48.1	59.4	86.2	139	138 11/16	41.4	64.4	75.4	94.5	
35	34 6/16	10.4	16.5	19.8	35.7	70	69 13/16	19.8	32.8	40.6	71.8	105	-	-	-	-	-	140	-	-	-	-	
36	-	-	-	-	-	71	-	-	-	-	106	105 4/16	29.1	49.1	60.5	86.8	141	140 11/16	42.0	65.0	76.1	94.1	
37	36 5/16	11.0	17.4	20.8	37.7	72	71 12/16	20.2	33.9	41.7	72.8	107	-	-	-	-	-	142	-	-	-	-	
38	-	-	-	-	-	73	-	-	-	-	108	107 3/16	29.7	50.1	61.7	87.4	143	142 10/16	42.5	65.4	76.5	93.7	
39	38 5/16	11.6	18.4	22.0	39.6	74	73 12/16	20.7	34.8	42.8	74.0	109	-	-	-	-	-	144	-	-	-	-	
40	-	-	-	-	-	75	-	-	-	-	110	109 3/16	30.4	51.0	62.8	88.1							
41	40 4/16	12.2	19.4	23.3	41.4	76	75 11/16	21.3	35.6	44.0	75.1	111	-	-	-	-	-						
42	-	-	-	-	-	77	-	-	-	-	112	111 2/16	31.3	51.6	63.6	88.6							
43	42 4/16	12.8	20.3	24.5	43.1	78	77 11/16	21.8	36.4	45.1	76.3	113	-	-	-	-	-						
44	-	-	-	-	-	79	-	-	-	-	114	113 2/16	32.4	52.5	64.7	89.4							
45	44 3/16	13.4	21.3	25.7	45.0	80	79 10/16	22.2	37.1	46.0	77.1	115	-	-	-	-	-						
46	-	-	-	-	-	81	-	-	-	-	116	115 1/16	33.6	53.3	65.8	90.2							

Power Consumption

Tested at Full Power with PDC Series power supplies.

*For Back Feed add 4/16" (1/4") to Actual Length. Standard Nominal Lengths offered provide minimal shadowing. For alternate lengths, please consult Inside Sales with specific request.

High Efficacy (2x HE64)

Nominal Length (in)	End Feed Actual Length*	Watts	Nominal Length (in)	End Feed Actual Length*	Watts	Nominal Length (in)	End Feed Actual Length*	Watts
		VHO			VHO			VHO
12	11 8/16	14.5	47	46 5/16	58.2	82	81 3/16	91.5
13	–	–	48	47 14/16	60.1	83	82 11/16	92.1
14	13	16.4	49	–	–	84	–	–
15	14 9/16	18.2	50	49 6/16	62.0	85	84 3/16	92.7
16	–	–	51	50 14/16	63.8	86	85 11/16	93.3
17	16 1/16	20.1	52	–	–	87	–	–
18	17 9/16	22.0	53	52 6/16	65.6	88	87 4/16	94.0
19	–	–	54	53 15/16	67.4	89	88 12/16	94.6
20	19 1/16	23.9	55	–	–	90	–	–
21	20 10/16	25.7	56	55 7/16	69.6	91	90 4/16	95.2
22	–	–	57	56 15/16	71.2	92	91 12/16	95.8
23	22 2/16	27.6	58	–	–	93	–	–
24	23 10/16	29.5	59	58 7/16	72.8	94	93 4/16	–
25	–	–	60	59 15/16	74.4	95	94 13/16	–
26	25 2/16	31.4	61	–	–	96	–	–
27	26 10/16	33.3	62	61 8/16	75.6	97	96 5/16	–
28	–	–	63	63	76.8	98	97 13/16	–
29	28 3/16	35.2	64	–	–	99	–	–
30	29 11/16	37.2	65	64 8/16	78.0	100	99 5/16	–
31	–	–	66	–	–	101	100 14/16	–
32	31 3/16	39.1	67	66	79.2	102	–	–
33	32 11/16	41.0	68	67 9/16	80.3	103	102 6/16	–
34	–	–	69	–	–	104	103 14/16	–
35	34 4/16	42.9	70	69 1/16	81.3	105	–	–
36	35 12/16	44.9	71	70 9/16	82.4	106	105 6/16	–
37	–	–	72	–	–	107	106 15/16	–
38	37 4/16	46.7	73	72 1/16	83.4	108	–	–
39	38 12/16	48.6	74	73 9/16	85.1	109	108 7/16	–
40	–	–	75	–	–	110	109 15/16	–
41	40 4/16	50.4	76	75 2/16	86.8	111	–	–
42	41 13/16	52.3	77	76 10/16	88.5	112	111 7/16	–
43	–	–	78	–	–	113	112 15/16	–
44	43 5/16	54.2	79	78 2/16	90.2	114	–	–
45	44 13/16	56.2	80	79 10/16	90.8	115	114 8/16	–
46	–	–	81	–	–	116	116	–

Voltage Drop Calculator

The below chart assumes nominal voltage of 24 Volts and a Voltage Drop Allowance of 3% through the wire

Wattage [W]	Wire Length From Power Supply to Start of Run [ft]						
	12 AWG	14 AWG	16 AWG	18 AWG	20 AWG	22 AWG	24 AWG
5	1088.2	684.4	430.3	270.6	170.2	107.1	67.3
10	544.1	342.2	215.1	135.3	85.1	53.5	33.7
15	362.7	228.1	143.4	90.2	56.7	35.7	22.4
20	272.0	171.1	107.6	67.7	42.6	26.8	16.8
25	217.6	136.9	86.1	54.1	34.0	21.4	13.5
30	181.4	114.1	71.7	45.1	28.4	17.8	11.2
35	155.5	97.8	61.5	38.7	24.3	15.3	9.6
40	136.0	85.5	53.8	33.8	21.3	13.4	8.4
45	120.9	76.0	47.8	30.1	18.9	11.9	7.5
50	108.8	68.4	43.0	27.1	17.0	10.7	6.7
55	98.9	62.2	39.1	24.6	15.5	9.7	6.1
60	90.7	57.0	35.9	22.6	14.2	8.9	5.6
65	83.7	52.6	33.1	20.8	13.1	8.2	5.2
70	77.7	48.9	30.7	19.3	12.2	7.6	4.8
75	72.5	45.6	28.7	18.0	11.3	7.1	4.5
80	68.0	42.8	26.9	16.9	10.6	6.7	4.2
85	64.0	40.3	25.3	15.9	10.0	6.3	4.0
90	60.5	38.0	23.9	15.0	9.5	5.9	3.7
96	56.7	35.6	22.4	14.1	8.9	5.6	3.5

Power Supplies

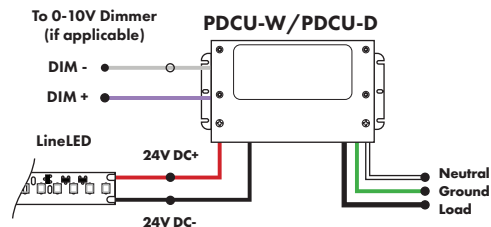
See Power Supply instructions and spec sheet for wiring information. For a complete list of compatible dimmers, see Compatible Dimming Chart on the Resources page.

Universal Power Supply 1% 120VAC - 277VAC

MODEL	POWER	OUTPUT
PDCU-D - IP20 Dry Series	30 - 30 W 60 - 60 W 96 - 96 W 3X96 - 3X96 W	24 - 24 VDC

PDCU-W - IP66 Wet Series	96 - 96 W 3X96 - 3X96 W	
--------------------------	----------------------------	--

0-10V dims down to 1%, MLV/ELV/TRIAC dims down to 1%.
For a complete list of compatible dimmers, see [Compatible Dimming Chart](#) on the Resources page.

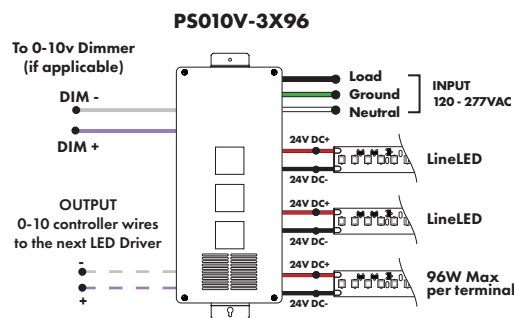
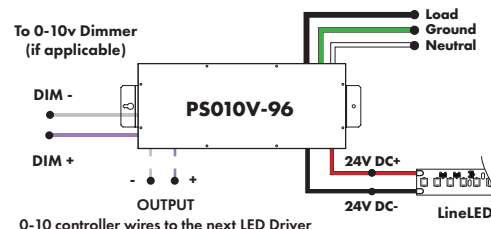


MODELS	PDCU-W 96W	PDCU-W 3X96W	PDCU-D 30W	PDCU-D 60W	PDCU-D 96W	PDCU-D 3X96W
Length	8.66"	11.85"	6.10"	7.93"	8.25"	9.57"
Width	3.73"	4.32"	3.35"	3.35"	4.10"	5.94"
Depth	1.61"	1.81"	1.33"	1.32"	1.56"	1.13"

0-10V Dimming Power Supplies 0.1% 120VAC - 277VAC

MODEL	POWER	OUTPUT	DIMMING
PS010V - 0-10V Power Supply dims down to 0.1%	96 - 96 Watt 3X96 - 3 X 96 Watt	24 - 24 VDC	LIN - Linear LOG - Logarithmic

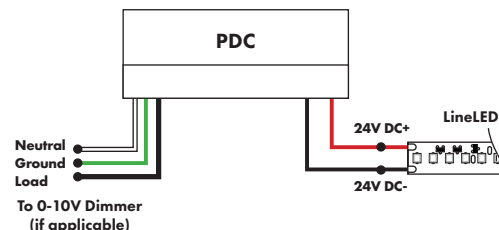
MODELS	96W	3X96
Length	14.40"	15.75"
Width	5.20"	6.62"
Depth	2.60"	4.95"



Triac, MLV, & ELV Compatible Dimmers

MODEL	POWER	OUTPUT
PDC - (IP20) Power Supply	96 - 96 Watts	24 - 24 VDC

MODELS	96W
Length	8.25"
Width	4.10"
Depth	1.56"



Power Supplies

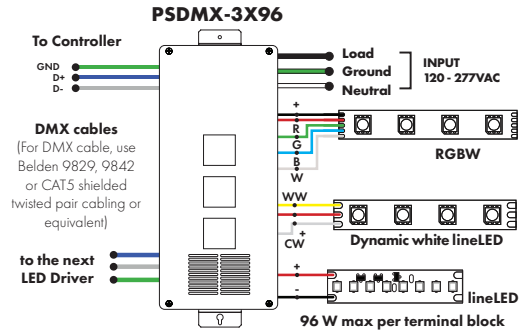
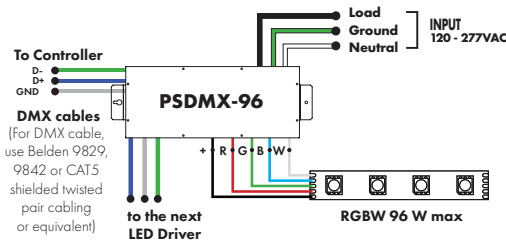
See Power Supply instructions and spec sheet for wiring information. For a complete list of compatible dimmers, see Compatible Dimming Chart on the Resources page.

DMX Dimming Power Supplies 120VAC - 277VAC

MODEL	POWER	OUTPUT
PSDMX - DMX Power Supply dims down to 0%	96 - 96 Watt 3X96 - 3 X 96 Watt	24 - 24 VDC

Features eldoLED's LINEARdrive configurable dimmable drivers

MODELS	96W	3X96
Length	14.40"	15.75"
Width	5.20"	6.62"
Depth	2.60"	4.95"

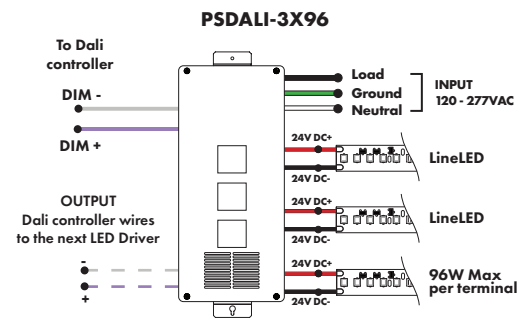
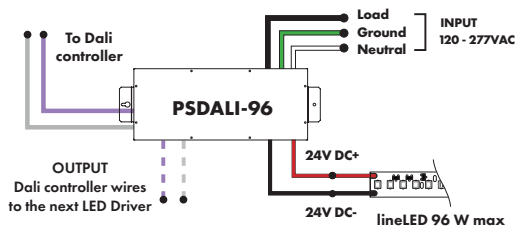


DALI 0% Dimming Power Supplies 120VAC - 277VAC

MODEL	POWER	OUTPUT
PSDALI - DALI Power Supply dims down to 0%	96 - 96 Watt 3X96 - 3 X 96 Watt	24 - 24 VDC

Features eldoLED's LINEARdrive configurable dimmable drivers

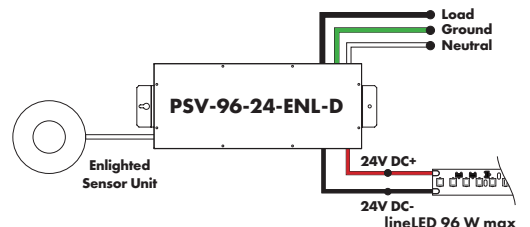
Model	96W	3X96
Length	14.40"	15.75"
Width	5.20"	6.62"
Depth	2.60"	4.95"



Enlighted Enabled Dimming Power Supplies 120VAC - 277VAC

MODEL	POWER	OUTPUT	DIMMING	LOCATION
PSV - PSV Series	96 - 96 Watt	24 - 24 VDC	ENL - Enlighted Dimming dims down to 0%	D - Damp

Model	96W
Length	14.40"
Width	5.20"
Depth	2.60"



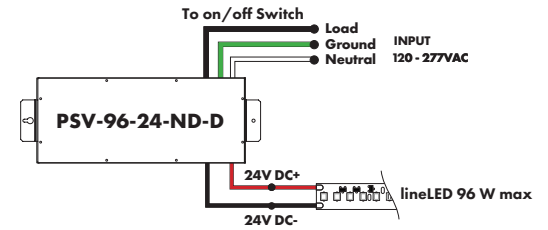
Power Supplies

See Power Supply instructions and spec sheet for wiring information. For a complete list of compatible dimmers, see Compatible Dimming Chart on the Resources page.

Non-Dimming Power Supply 120VAC - 277VAC

MODEL	POWER	OUTPUT	DIMMING	LOCATION
PSV - PSV Series	96 - 96 Watt	24 - 24 VDC	ND - Non Dimming	D - Damp

MODELS	96W
Length	14.40"
Width	5.20"
Depth	2.60"



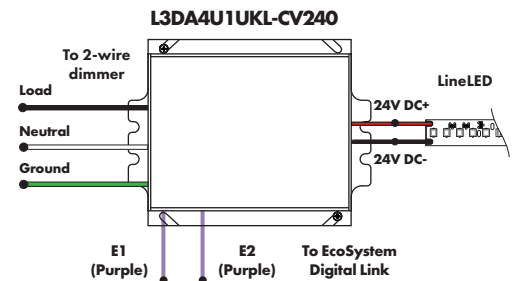
Luminii is a Lutron OEM Advantage Partner

Lutron Power Supplies 1%

MODEL
L3DA4U1UKL-CV240

HiLume™ 1% EcoSystem Voltage LED driver
40W max

MODELS	L3DA4U1UKL-CV240
Length	4.98"
Width	4.00"
Depth	2.62"



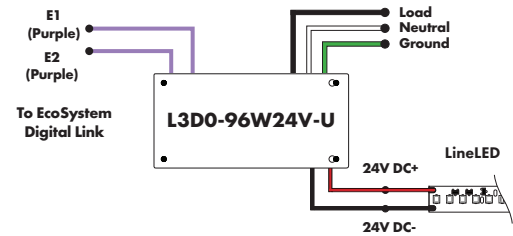
Luminii is a Lutron OEM Advantage Partner

Lutron Power Supplies 0.1%

MODEL
L3D0-96W24V-U

HiLume™ 0.1% EcoSystem Voltage LED Driver with Soft-On, Fade-to-Black™
96W max

MODELS	L3D0
Length	10.50"
Width	5.50"
Depth	2.00"



In-Ground Power Supplies

MODEL	POWER	OUTPUT	INPUT
IG - In ground CVE Series CVE - ELV Dimming DALI - eldoLED Dali dimming Both dims down to 0%	96X2 - 2 X 96 Watt	24 - 24 VDC	Blank - 120 V 277 - 240/277 V

MODELS	Dual Circuit
Length	8.40"
Width	8.30"
Depth	8.10"

