

# Kendo M Wet, Kendo S Wet, Kendo L Wet, & Kendo XL Wet - Installation Instructions

Models KMW-XX, KSW-XX, KLW-XX, & KXLW-X



**Please read all instructions prior to installation and keep for future reference!**

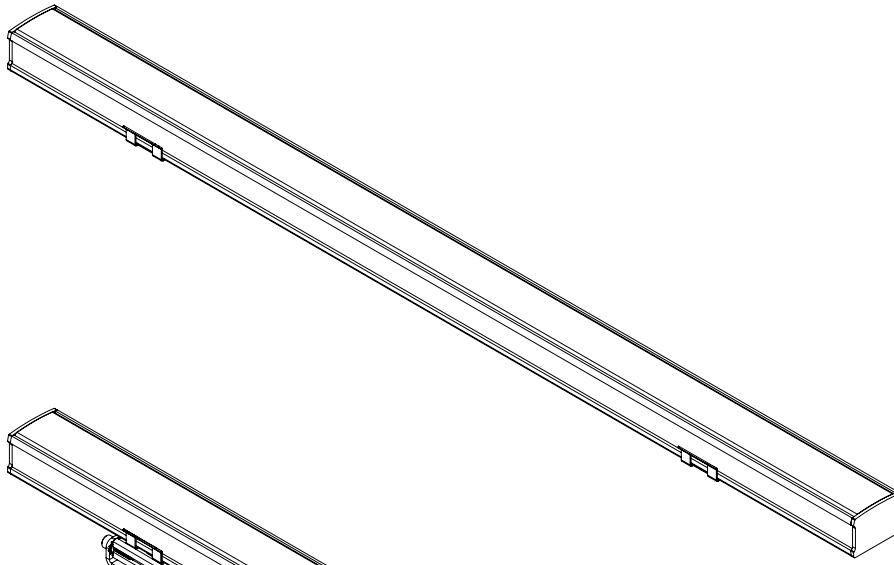
- |  |   |
|--|---|
| 1. PRODUCT TO BE INSTALLED BY A QUALIFIED ELECTRICIAN. | 4. SUITABLE FOR WET LOCATIONS                                 |
| 2. USE ONLY WITH CLASS 2 POWER UNIT                    | 5. SURFACE MOUNT ONLY   |
| 3. 24 VOLTS DC   | 6. SUITABLE FOR INSTALLATION WITHIN THE CLOSET STORAGE SPACE. |

PLENUM FOR SUCH USE IN ACCORDANCE WITH UL2043

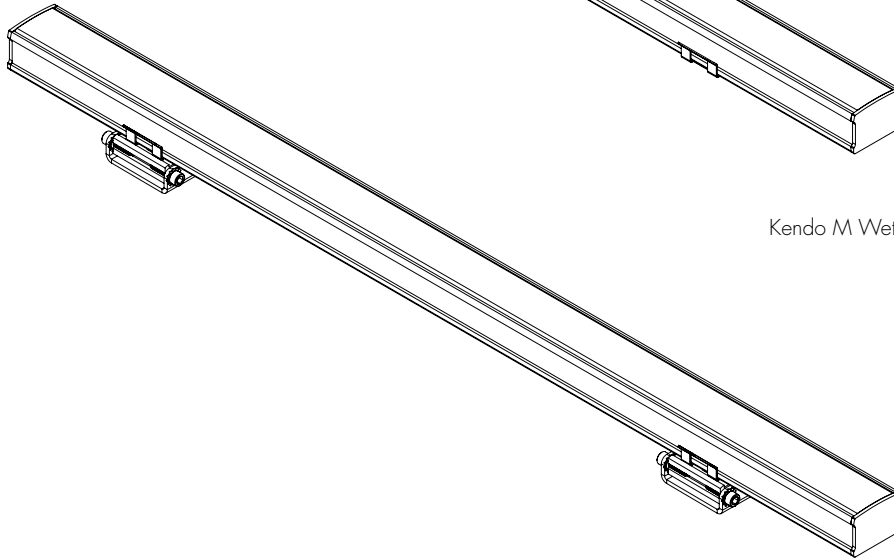
REVO.7  
06212023

7777 Merrimac Ave  
Niles, IL 60714  
T 224.333.6033  
F 224.757.7557  
info@luminii.com  
www.luminii.com

1 / 5



Kendo M Wet with fixed clip mounting



Kendo M Wet with fixed clip mounting

# Kendo M Wet, Kendo S Wet, Kendo L Wet, & Kendo XL Wet - Installation Instructions

Models KMW-XX, KSW-XX, KLW-XX, & KXLW-X



7777 Merrimac Ave  
Niles, IL 60714  
T 224.333.6033  
F 224.757.7557  
info@luminii.com  
www.luminii.com

Please read all instructions prior to installation and keep for future reference!

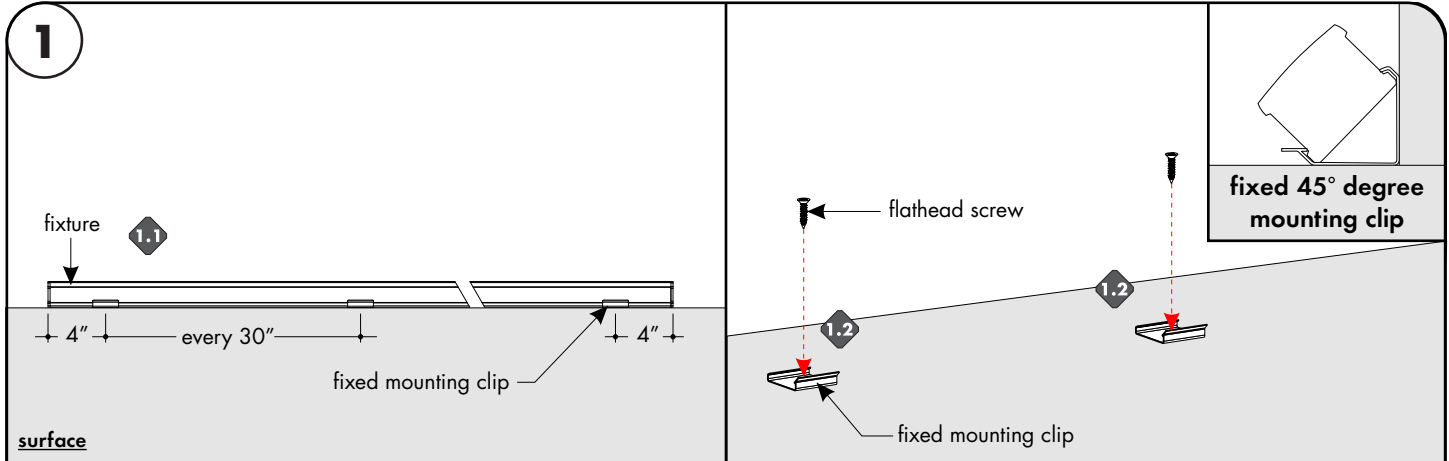
- |  |   |
|--|---|
| 1. PRODUCT TO BE INSTALLED BY A QUALIFIED ELECTRICIAN. | 4. SUITABLE FOR WET LOCATIONS                                 |
| 2. USE ONLY WITH CLASS 2 POWER UNIT                    | 5. SURFACE MOUNT ONLY   |
| 3. 24 VOLTS DC   | 6. SUITABLE FOR INSTALLATION WITHIN THE CLOSET STORAGE SPACE. |

PLENUM FOR SUCH USE IN ACCORDANCE WITH UL2043

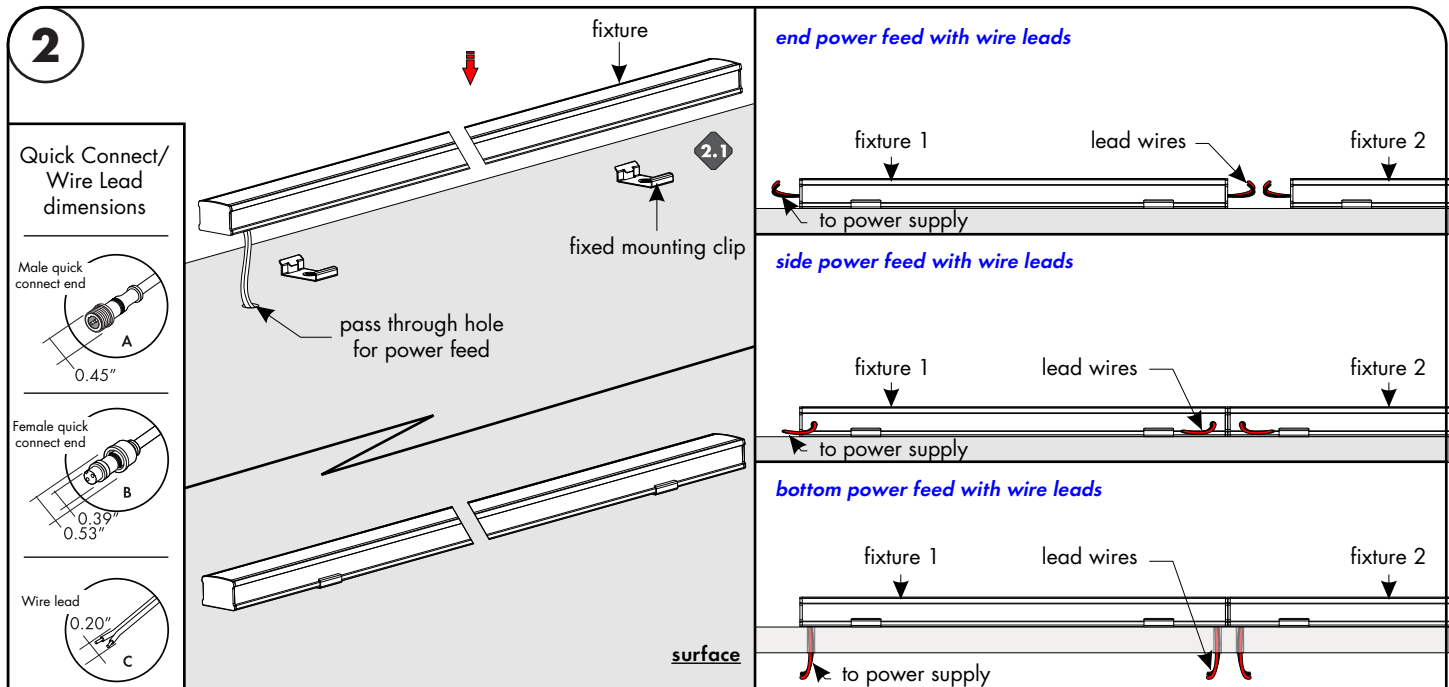
REVO.7  
06212023

2 / 5

## Fixed mounting clip installation



- 1.1** Determine the location of where the fixture(s) will be installed. Lay the fixture(s) on the surface, and make any necessary reference marks for the fixed mounting clips (or if using the fixed 45° degree mounting clip). Make marks 4" from each end of the fixture(s) and also every 30" in between.
- 1.2** Lay the fixed clip onto the reference mark points and secure using the provided hardware.



- 2.1** If necessary make any pass through holes for wire lead/connector to the surface, depending on the power feed option. Then snap the fixture into the fixed mounting clip to secure in place. Diagram on the right side illustrates the common way of connecting multiple fixtures to each other, depending on the location of the power feed wires.

# Kendo M Wet, Kendo S Wet, Kendo L Wet, & Kendo XL Wet - Installation Instructions

Models KMW-XX, KSW-XX, KLW-XX, & KXLW-X



7777 Merrimac Ave  
Niles, IL 60714  
T 224.333.6033  
F 224.757.7557  
info@luminii.com  
www.luminii.com

Please read all instructions prior to installation and keep for future reference!

1. PRODUCT TO BE INSTALLED BY A QUALIFIED ELECTRICIAN.
2. USE ONLY WITH CLASS 2 POWER UNIT 3.24 VOLTS DC
4. SUITABLE FOR WET LOCATIONS
5. SURFACE MOUNT ONLY
6. SUITABLE FOR INSTALLATION WITHIN THE CLOSET STORAGE SPACE.

PLENUM FOR SUCH USE IN ACCORDANCE WITH UL2043

REVO.7  
06212023

3 / 5

## Adjustable hinge mounting clip installation

### 1

fixture 1.1

4" every 30" 4"

adjustable hinge mounting clip

### 1.2

loosen screws

flathead screw

**1.1** Determine the location of where the fixture(s) will be installed. Lay the fixture(s) on the surface, and make reference marks for the mounting clips. Make marks 4" from each end of the fixture(s) and also every 30" in between.

**1.2** Slightly loosen the 2 screws on the side on adjustable bracket. Lay the bracket onto the reference mark points and secure using the provided hardware.

### 2

Quick Connect/  
Wire Lead  
dimensions

Male quick connect end A 0.45"

Female quick connect end B 0.39" 0.53"

Wire lead C 0.20"

fixture

adjustable hinge bracket

bottom power feed 2.1

surface

**end power feed with wire leads**

fixture 1 lead wires fixture 2

to power supply

**side power feed with wire leads**

fixture 1 lead wires fixture 2

to power supply

**bottom power feed with wire leads**

fixture 1 lead wires fixture 2

to power supply

**2.1** If necessary make any pass through holes for wire lead/connector to the surface, depending on the power feed option. Then rotate fixture to the appropriate degree, followed by tightening the screws on the side. Then snap the fixture into the fixed mounting clip to secure in place. Diagram on the right side illustrates the common way of connecting multiple fixtures to each other, depending on the location of the power feed wires.

# Kendo M Wet, Kendo S Wet, Kendo L Wet, & Kendo XL Wet - Installation Instructions

Models KMW-XX, KSW-XX, KLW-XX, & KXLW-X



7777 Merrimac Ave  
Niles, IL 60714  
T 224.333.6033  
F 224.757.7557  
info@luminii.com  
www.luminii.com

Please read all instructions prior to installation and keep for future reference!

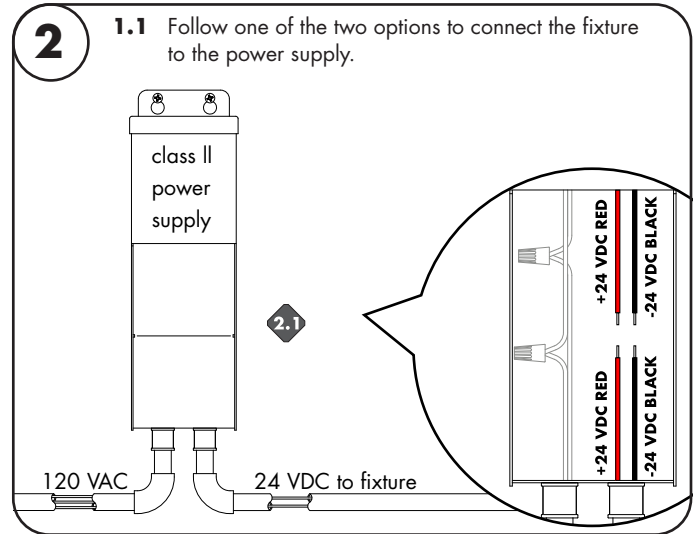
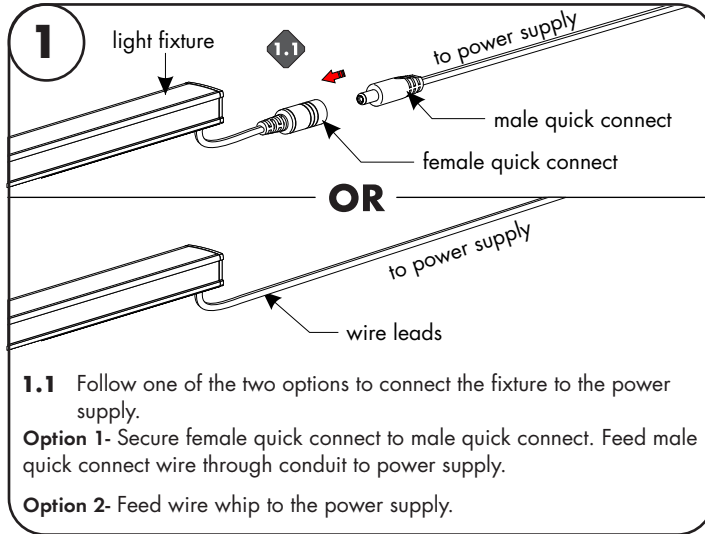
1. PRODUCT TO BE INSTALLED BY A QUALIFIED ELECTRICIAN.
2. USE ONLY WITH CLASS 2 POWER UNIT
3. 24 VOLTS DC
4. SUITABLE FOR WET LOCATIONS
5. SURFACE MOUNT ONLY
6. SUITABLE FOR INSTALLATION WITHIN THE CLOSET STORAGE SPACE.

PLENUM FOR SUCH USE IN ACCORDANCE WITH UL2043

REVO.7  
06212023

4 / 5

## Connect to power



# Kendo M Wet, Kendo S Wet, Kendo L Wet, & Kendo XL Wet - Installation Instructions

Models KMW-XX, KSW-XX, KLW-XX, & KXLW-X



7777 Merrimac Ave  
Niles, IL 60714  
T 224.333.6033  
F 224.757.7557  
info@luminii.com  
www.luminii.com

Please read all instructions prior to installation and keep for future reference!

1. PRODUCT TO BE INSTALLED BY A QUALIFIED ELECTRICIAN.
2. USE ONLY WITH CLASS 2 POWER UNIT
3. 24 VOLTS DC
4. SUITABLE FOR WET LOCATIONS
5. SURFACE MOUNT ONLY
6. SUITABLE FOR INSTALLATION WITHIN THE CLOSET STORAGE SPACE.

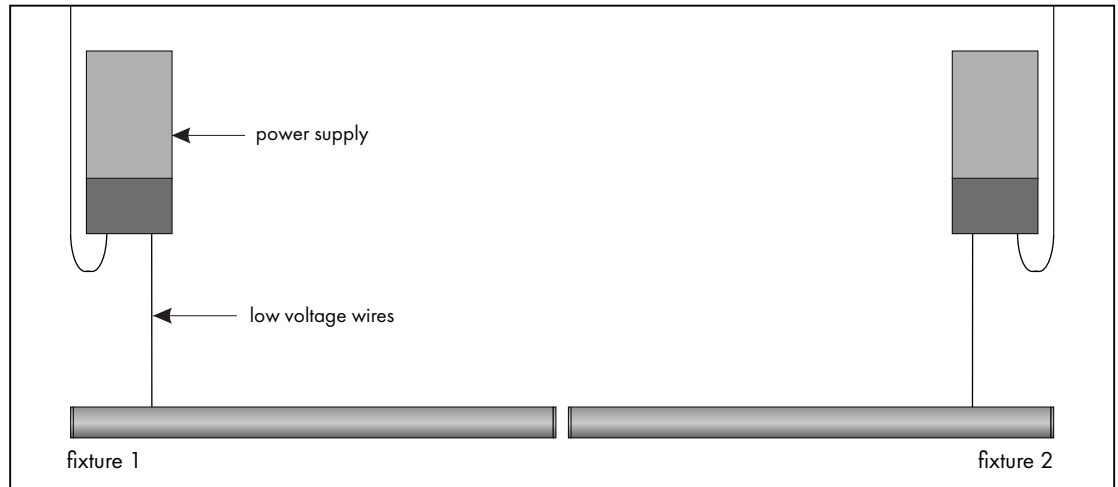
PLENUM FOR SUCH USE IN ACCORDANCE WITH UL2043

REVO.7  
06212023

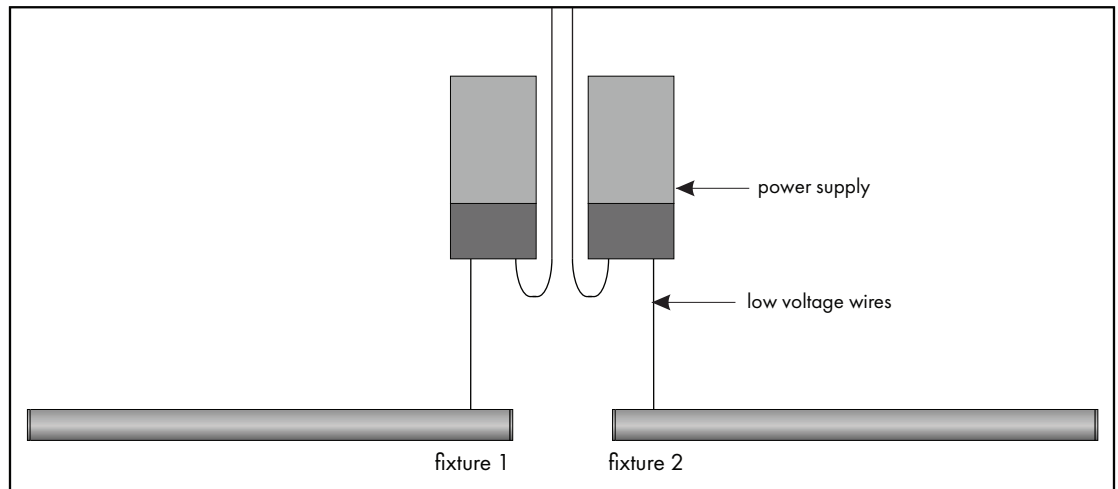
5 / 5

## Multiple powerfeed layouts

### power supplies at the end of the run



### power supplies in the middle of the run



### consecutive layout, NOT RECOMMENDED

