

# EVO S 11 GLARE GUARD

ULTRA NARROW



## TECHNICAL DESCRIPTION

Evo S 11 Glare Guard is a Constant Voltage single source LED spotlight that is machined from aerospace grade aluminium 6063-T6 and comes as standard in white, black and brushed aluminium finishes. It has five site-changeable optics for flexible beam distribution and fully lockable bearing aided pan and tilt. The ultra narrow beam in our 4.90W 415lm module has a peak intensity of 7259cd. An accessory holder is available separately that can accommodate 37mm (1.45") lenses and louvers. The Jack Plug is compatible with Precision Lighting's 24V Jack systems. The onboard 24V DC driver ensures overcurrent protection and is not polarity sensitive. An external AC to 24V DC power supply is required.

## MECHANICAL & ELECTRICAL

**CATEGORY** IP20

**MATERIAL** Machined AL 6063-T6

**PAN** 360°

**TILT** 180°

**LOCKABLE** Pan & Tilt

**WEIGHT** 233g | 0.51lb

**WATTAGE** 4.90W

**FORWARD VOLTAGE** 24V

**SUPPLY TYPE** Constant Voltage

**DRIVER LOCATION** Remote AC to 24VDC

**DIMMING** DALI | 1-10V

## MOUNTING

**MOUNTING** 24V Tracks | 24V Monopoints | Eutrac (Custom)

## FINISHES

**FINISHES** Brushed Aluminium | Black RAL9005 | White RAL9010

\*Premium & custom finishes are built & finished to order. These are subject to an extended lead time & MOQ.

## OPTICAL & STANDARDS

**NOMINAL LUMENS** 415lm

**DELIVERED LUMENS** 396lm

**COLOUR TEMPERATURE** 2700K | 3000K

**ACCESSORY HOLDER** Separate

**ACCESSORIES** Snoots | Louver | Lenses 37mm (1.45")

**TM65** 12.61kgCO2e

**TM66** 2.4

**BEAM ANGLE** 11°

**CRI** 92 TYP

**TM-30** RF: 90 RG: 99

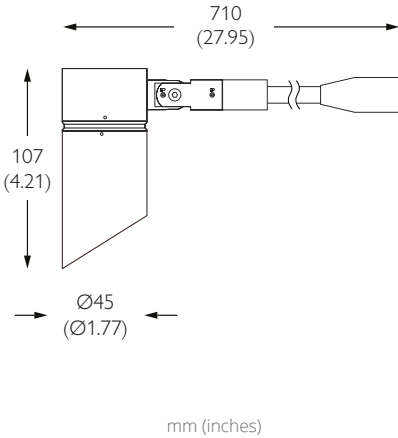
**WARRANTY** 5 Years

**LIFETIME** L90B10 100,000hrs

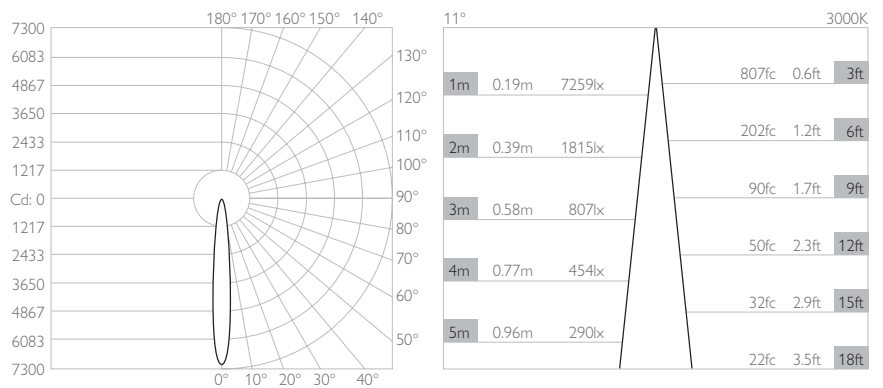
**STANDARDS**



Photometry shown is for 3000K module. Please enquire for other CCT photometry.



mm (inches)



## STANDARD MOUNTING OPTIONS

LUMINAIRE FINISH	STANDARD MOUNTING OPTIONS				
	BASIS TRACK	SURFACE MONOPOINT	TRIMLESS MONOPOINT	NODE MONOPOINT	FLAT MONOPOINT
White 9010		MPZ-441-WH-XX9209	MPS-441-WH-XX9209	MPY-441-WH-XX9209	MPX-441-WH-XX9209
Black 9005		MPZ-441-BK-XX9209	MPS-441-BK-XX9209	MPY-441-BK-XX9209	MPX-441-BK-XX9209
Brushed Aluminium	BT-441-AL-XX9209	MPZ-441-AL-XX9209	MPS-441-AL-XX9209	MPY-441-AL-XX9209	MPX-441-AL-XX9209
Rubbed Bronze*					
Polished Brass*					
Brushed Brass*					

\*All premium & custom finishes are built & finished to order. These are subject to an extended lead time & MOQ

For 3000K Substitute XX with 30

For 2700K Substitute XX with 27

# EVO S 11 GLARE GUARD

NARROW



## TECHNICAL DESCRIPTION

Evo S 11 Glare Guard is a Constant Voltage single source LED spotlight that is machined from aerospace grade aluminium 6063-T6 and comes as standard in white, black and brushed aluminium finishes. It has five site-changeable optics for flexible beam distribution and fully lockable bearing aided pan and tilt. The narrow beam in our 4.90W 415lm module has a peak intensity of 5422cd. An accessory holder is available separately that can accommodate 37mm (1.45") lenses and louvers. The Jack Plug is compatible with Precision Lighting's 24V Jack systems. The onboard 24V DC driver ensures overcurrent protection and is not polarity sensitive. An external AC to 24V DC power supply is required.

## MECHANICAL & ELECTRICAL

<b>CATEGORY</b> IP20	<b>WATTAGE</b> 4.90W
<b>MATERIAL</b> Machined AL 6063-T6	<b>FORWARD VOLTAGE</b> 24V
<b>PAN</b> 360°	<b>SUPPLY TYPE</b> Constant Voltage
<b>TILT</b> 180°	<b>DRIVER LOCATION</b> Remote AC to 24VDC
<b>LOCKABLE</b> Pan & Tilt	<b>DIMMING</b> DALI   1-10V
<b>WEIGHT</b> 233g   0.51lb	

## MOUNTING

**MOUNTING** 24V Tracks | 24V Monopoints | Eutrac (Custom)

## FINISHES

**FINISHES** Brushed Aluminium | Black RAL9005 | White RAL9010

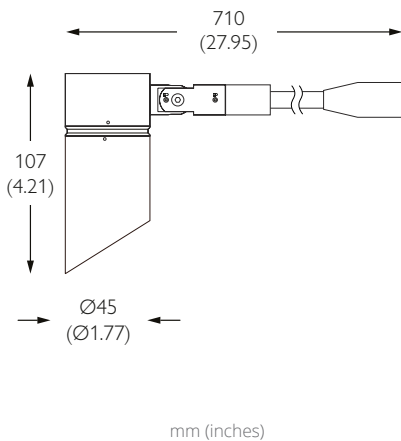
\*Premium & custom finishes are built & finished to order. These are subject to an extended lead time & MOQ.

## OPTICAL & STANDARDS

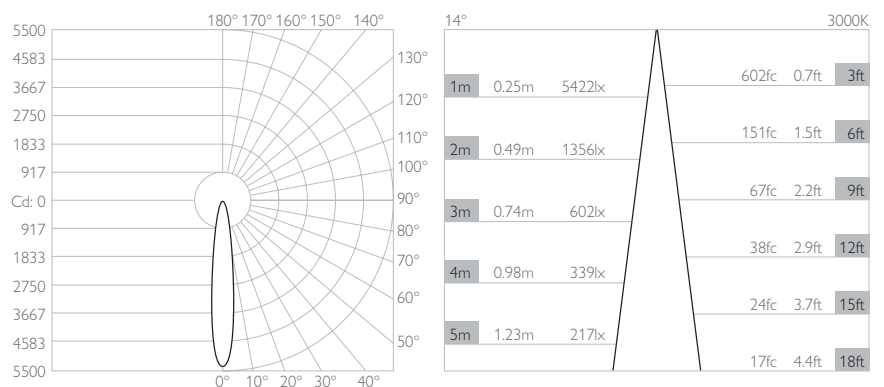
<b>NOMINAL LUMENS</b> 415lm	<b>BEAM ANGLE</b> 14°
<b>DELIVERED LUMENS</b> 413lm	<b>CRI</b> 92 TYP
<b>COLOUR TEMPERATURE</b> 2700K   3000K	<b>TM-30</b> RF: 90 RG: 99
<b>ACCESSORY HOLDER</b> Separate	<b>WARRANTY</b> 5 Years
<b>ACCESSORIES</b> Snoots   Louver   Lenses 37mm (1.45")	<b>LIFETIME</b> L90B10 100,000hrs
<b>TM65</b> 12.61kgCO2e	<b>STANDARDS</b>
<b>TM66</b> 2.4	



Photometry shown is for 3000K module. Please enquire for other CCT photometry.



mm (inches)



## STANDARD MOUNTING OPTIONS

	<b>BASIS TRACK</b>	<b>SURFACE MONOPOINT</b>	<b>TRIMLESS MONOPOINT</b>	<b>NODE MONOPOINT</b>	<b>FLAT MONOPOINT</b>
<b>LUMINAIRE FINISH</b>	White 9010	MPZ-441-WH-XX9211	MPS-441-WH-XX9211	MPY-441-WH-XX9211	MPX-441-WH-XX9211
	Black 9005	MPZ-441-BK-XX9211	MPS-441-BK-XX9211	MPY-441-BK-XX9211	MPX-441-BK-XX9211
	Brushed Aluminium	MPZ-441-AL-XX9211	MPS-441-AL-XX9211	MPY-441-AL-XX9211	MPX-441-AL-XX9211
	Rubbed Bronze*				
	Polished Brass*				
	Brushed Brass*				

\*All premium & custom finishes are built & finished to order. These are subject to an extended lead time & MOQ

For 3000K Substitute XX with 30

For 2700K Substitute XX with 27

# EVO S 11 GLARE GUARD

MEDIUM



## TECHNICAL DESCRIPTION

Evo S 11 Glare Guard is a Constant Voltage single source LED spotlight that is machined from aerospace grade aluminium 6063-T6 and comes as standard in white, black and brushed aluminium finishes. It has five site-changeable optics for flexible beam distribution and fully lockable bearing aided pan and tilt. The medium beam in our 4.90W 415lm module has a peak intensity of 3338cd. An accessory holder is available separately that can accommodate 37mm (1.45") lenses and louvers. The Jack Plug is compatible with Precision Lighting's 24V Jack systems. The onboard 24V DC driver ensures overcurrent protection and is not polarity sensitive. An external AC to 24V DC power supply is required.

## MECHANICAL & ELECTRICAL

**CATEGORY** IP20

**MATERIAL** Machined AL 6063-T6

**PAN** 360°

**TILT** 180°

**LOCKABLE** Pan & Tilt

**WEIGHT** 233g | 0.51lb

**WATTAGE** 4.90W

**FORWARD VOLTAGE** 24V

**SUPPLY TYPE** Constant Voltage

**DRIVER LOCATION** Remote AC to 24VDC

**DIMMING** DALI | 1-10V

## MOUNTING

**MOUNTING** 24V Tracks | 24V Monopoints | Eutrac (Custom)

## FINISHES

**FINISHES** Brushed Aluminium | Black RAL9005 | White RAL9010

\*Premium & custom finishes are built & finished to order. These are subject to an extended lead time & MOQ.

## OPTICAL & STANDARDS

**NOMINAL LUMENS** 415lm

**DELIVERED LUMENS** 391lm

**COLOUR TEMPERATURE** 2700K | 3000K

**ACCESSORY HOLDER** Separate

**ACCESSORIES** Snoots | Louver | Lenses 37mm (1.45")

**TM65** 12.61kgCO2e

**TM66** 2.4

**BEAM ANGLE** 18°

**CRI** 92 TYP

**TM-30** RF: 90 RG: 99

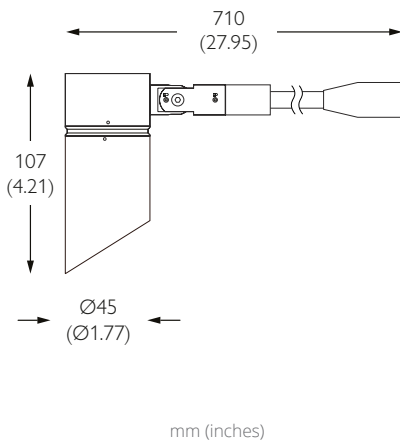
**WARRANTY** 5 Years

**LIFETIME** L90B10 100,000hrs

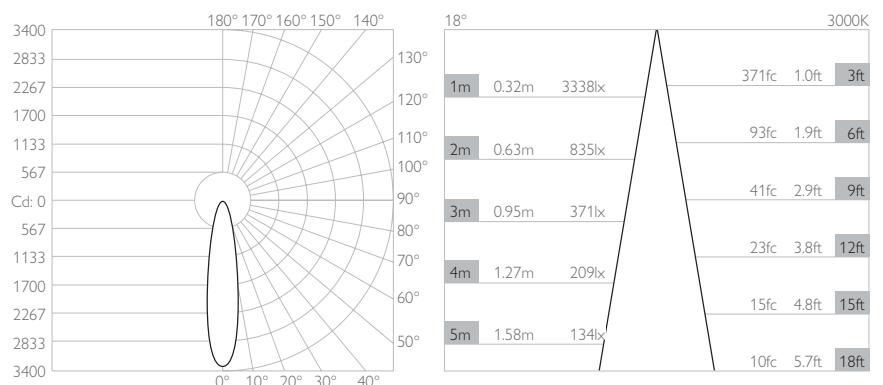
**STANDARDS**



Photometry shown is for 3000K module. Please enquire for other CCT photometry.



mm (inches)



## STANDARD MOUNTING OPTIONS

LUMINAIRE FINISH	BASIS TRACK	SURFACE MONOPOINT	TRIMLESS MONOPOINT	NODE MONOPOINT	FLAT MONOPOINT
	White 9010		MPZ-441-WH-XX9215	MPS-441-WH-XX9215	MPY-441-WH-XX9215
Black 9005		MPZ-441-BK-XX9215	MPS-441-BK-XX9215	MPY-441-BK-XX9215	MPX-441-BK-XX9215
Brushed Aluminium	BT-441-AL-XX9215	MPZ-441-AL-XX9215	MPS-441-AL-XX9215	MPY-441-AL-XX9215	MPX-441-AL-XX9215
Rubbed Bronze*					
Polished Brass*					
Brushed Brass*					

\*All premium & custom finishes are built & finished to order. These are subject to an extended lead time & MOQ

For 3000K Substitute XX with 30

For 2700K Substitute XX with 27

# EVO S 11 GLARE GUARD

## FLOOD



### TECHNICAL DESCRIPTION

Evo S 11 Glare Guard is a Constant Voltage single source LED spotlight that is machined from aerospace grade aluminium 6063-T6 and comes as standard in white, black and brushed aluminium finishes. It has five site-changeable optics for flexible beam distribution and fully lockable bearing aided pan and tilt. The flood beam in our 4.90W 415lm module has a peak intensity of 1052cd. An accessory holder is available separately that can accommodate 37mm (1.45") lenses and louvers. The Jack Plug is compatible with Precision Lighting's 24V Jack systems. The onboard 24V DC driver ensures overcurrent protection and is not polarity sensitive. An external AC to 24V DC power supply is required.

### MECHANICAL & ELECTRICAL

<b>CATEGORY</b> IP20	<b>WATTAGE</b> 4.90W
<b>MATERIAL</b> Machined AL 6063-T6	<b>FORWARD VOLTAGE</b> 24V
<b>PAN</b> 360°	<b>SUPPLY TYPE</b> Constant Voltage
<b>TILT</b> 180°	<b>DRIVER LOCATION</b> Remote AC to 24VDC
<b>LOCKABLE</b> Pan & Tilt	<b>DIMMING</b> DALI   1-10V
<b>WEIGHT</b> 233g   0.51lb	

### MOUNTING

**MOUNTING** 24V Tracks | 24V Monopoints | Eutrac (Custom)

### FINISHES

**FINISHES** Brushed Aluminium | Black RAL9005 | White RAL9010

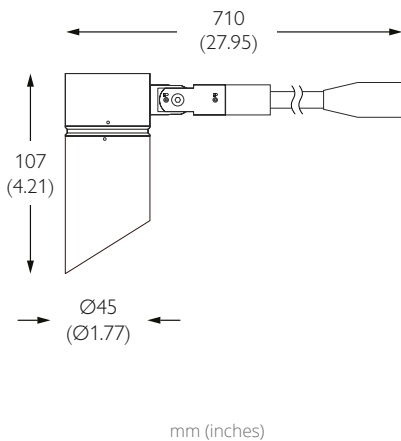
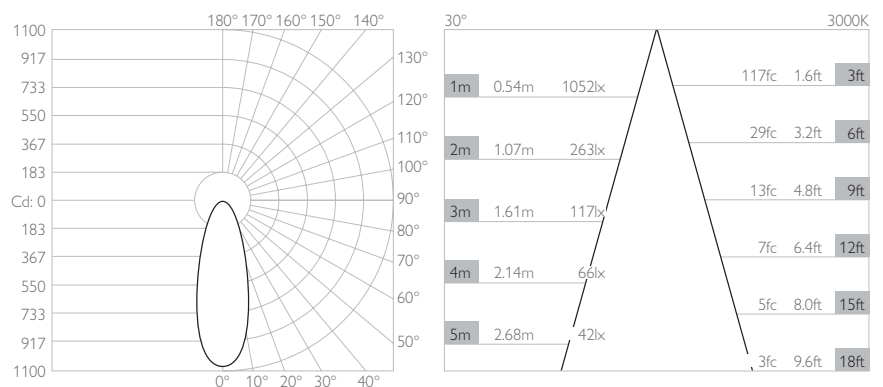
\*Premium & custom finishes are built & finished to order. These are subject to an extended lead time & MOQ.

### OPTICAL & STANDARDS

<b>NOMINAL LUMENS</b> 415lm	<b>BEAM ANGLE</b> 30°
<b>DELIVERED LUMENS</b> 322lm	<b>CRI</b> 92 TYP
<b>COLOUR TEMPERATURE</b> 2700K   3000K	<b>TM-30</b> RF: 90 RG: 99
<b>ACCESSORY HOLDER</b> Separate	<b>WARRANTY</b> 5 Years
<b>ACCESSORIES</b> Snoots   Louver   Lenses 37mm (1.45")	<b>LIFETIME</b> L90B10 100,000hrs
<b>TM65</b> 12.61kgCO2e	<b>STANDARDS</b>
<b>TM66</b> 2.4	



Photometry shown is for 3000K module. Please enquire for other CCT photometry.



### STANDARD MOUNTING OPTIONS

	<b>BASIS TRACK</b>	<b>SURFACE MONOPOINT</b>	<b>TRIMLESS MONOPOINT</b>	<b>NODE MONOPOINT</b>	<b>FLAT MONOPOINT</b>
<b>LUMINAIRE FINISH</b>	White 9010	MPZ-441-WH-XX9225	MPS-441-WH-XX9225	MPY-441-WH-XX9225	MPX-441-WH-XX9225
	Black 9005	MPZ-441-BK-XX9225	MPS-441-BK-XX9225	MPY-441-BK-XX9225	MPX-441-BK-XX9225
	Brushed Aluminium	MPZ-441-AL-XX9225	MPS-441-AL-XX9225	MPY-441-AL-XX9225	MPX-441-AL-XX9225
	Rubbed Bronze*				
	Polished Brass*				
	BT-441-AL-XX9225				

\*All premium & custom finishes are built & finished to order. These are subject to an extended lead time & MOQ

For 3000K Substitute XX with 30

For 2700K Substitute XX with 27

# EVO S 11 GLARE GUARD

## WIDE FLOOD



### TECHNICAL DESCRIPTION

Evo S 11 Glare Guard is a Constant Voltage single source LED spotlight that is machined from aerospace grade aluminium 6063-T6 and comes as standard in white, black and brushed aluminium finishes. It has five site-changeable optics for flexible beam distribution and fully lockable bearing aided pan and tilt. The wide flood beam in our 4.90W 415lm module has a peak intensity of 383cd. An accessory holder is available separately that can accommodate 37mm (1.45") lenses and louvers. The Jack Plug is compatible with Precision Lighting's 24V Jack systems. The onboard 24V DC driver ensures overcurrent protection and is not polarity sensitive. An external AC to 24V DC power supply is required.

### MECHANICAL & ELECTRICAL

<b>CATEGORY</b> IP20	<b>WATTAGE</b> 4.90W
<b>MATERIAL</b> Machined AL 6063-T6	<b>FORWARD VOLTAGE</b> 24V
<b>PAN</b> 360°	<b>SUPPLY TYPE</b> Constant Voltage
<b>TILT</b> 180°	<b>DRIVER LOCATION</b> Remote AC to 24VDC
<b>LOCKABLE</b> Pan & Tilt	<b>DIMMING</b> DALI   1-10V
<b>WEIGHT</b> 233g   0.51lb	

### MOUNTING

**MOUNTING** 24V Tracks | 24V Monopoints | Eutrac (Custom)

### FINISHES

**FINISHES** Brushed Aluminium | Black RAL9005 | White RAL9010

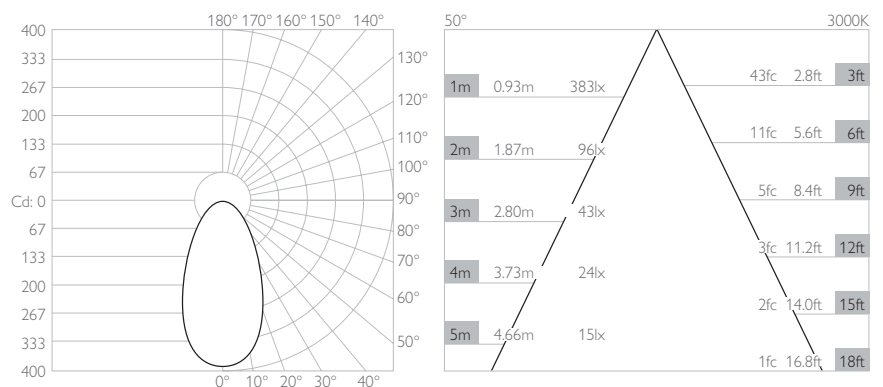
\*Premium & custom finishes are built & finished to order. These are subject to an extended lead time & MOQ.

### OPTICAL & STANDARDS

<b>NOMINAL LUMENS</b> 415lm	<b>BEAM ANGLE</b> 50°
<b>DELIVERED LUMENS</b> 317lm	<b>CRI</b> 92 TYP
<b>COLOUR TEMPERATURE</b> 2700K   3000K	<b>TM-30</b> RF: 90 RG: 99
<b>ACCESSORY HOLDER</b> Separate	<b>WARRANTY</b> 5 Years
<b>ACCESSORIES</b> Snoots   Louver   Lenses 37mm (1.45")	<b>LIFETIME</b> L90B10 100,000hrs
<b>TM65</b> 12.61kgCO2e	<b>STANDARDS</b>
<b>TM66</b> 2.4	



Photometry shown is for 3000K module. Please enquire for other CCT photometry.



### STANDARD MOUNTING OPTIONS

	<b>BASIS TRACK</b>	<b>SURFACE MONOPOINT</b>	<b>TRIMLESS MONOPOINT</b>	<b>NODE MONOPOINT</b>	<b>FLAT MONOPOINT</b>
<b>LUMINAIRE FINISH</b>	White 9010	MPZ-441-WH-XX9245	MPS-441-WH-XX9245	MPY-441-WH-XX9245	MPX-441-WH-XX9245
	Black 9005	MPZ-441-BK-XX9245	MPS-441-BK-XX9245	MPY-441-BK-XX9245	MPX-441-BK-XX9245
	Brushed Aluminium	MPZ-441-AL-XX9245	MPS-441-AL-XX9245	MPY-441-AL-XX9245	MPX-441-AL-XX9245
	Rubbed Bronze*				
	Polished Brass*				
	Brushed Brass*				

\*All premium & custom finishes are built & finished to order. These are subject to an extended lead time & MOQ

For 3000K Substitute XX with 30

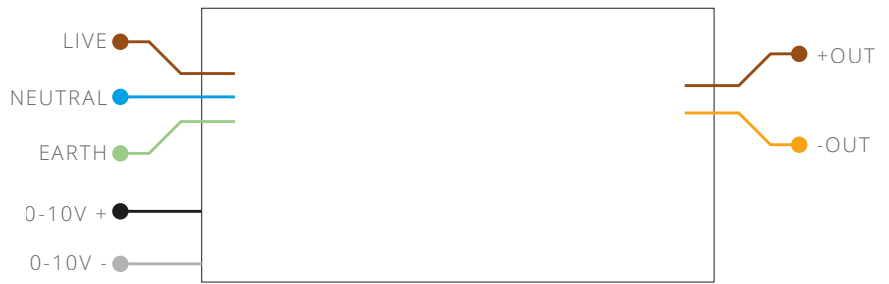
For 2700K Substitute XX with 27

## 24V CONSTANT VOLTAGE 16 SERIES

### DRIVER COMPATIBILITY

#### 100W | DIMMING: 1-10V

NO. OF LIGHTS PER DRIVER 1 to 9  
 VOLTAGE REGION 230V  
 FOR NORTH AMERICA No  
 WATTAGE 100W  
 OUTPUT VOLTAGE 24V  
 SUPPLY TYPE Constant Voltage  
 DRIVER LOCATION Remote



ORDER CODE PSCV-100-24-A-OS

LENGTH 240mm (9.44") WIDTH 50mm (1.96") HEIGHT 34mm (1.34")



#### 130W | DIMMING: 1-10V

NO. OF LIGHTS PER DRIVER 1 to 12  
 VOLTAGE REGION 230V  
 FOR NORTH AMERICA No  
 WATTAGE 130W  
 OUTPUT VOLTAGE 24V  
 SUPPLY TYPE Constant Voltage  
 DRIVER LOCATION Remote



ORDER CODE PSCV-130-24-A-OS

LENGTH 240mm (9.44") WIDTH 63mm (2.48") HEIGHT 37mm (1.46")



#### 100W | DIMMING: DALI

NO. OF LIGHTS PER DRIVER 1 to 10  
 VOLTAGE REGION 230V  
 FOR NORTH AMERICA No  
 WATTAGE 130W  
 OUTPUT VOLTAGE 24V  
 SUPPLY TYPE Constant Voltage  
 DRIVER LOCATION Remote



ORDER CODE PSCV-100-24-D-EL

LENGTH 388mm (15.2") WIDTH 42mm (1.65") HEIGHT 30mm (1.18")

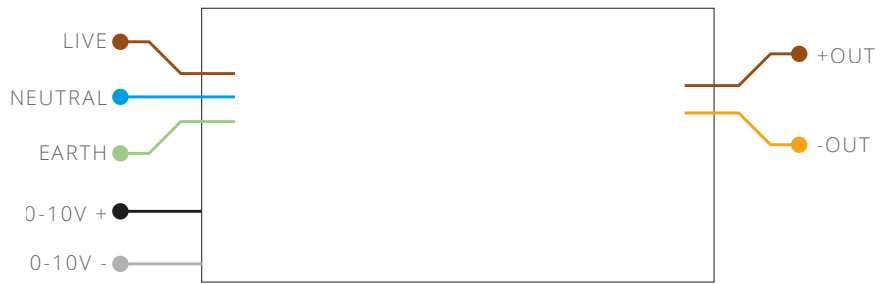


## 24V CONSTANT VOLTAGE 16 SERIES

### DRIVER COMPATIBILITY

#### 100W | DIMMING: 1-10V

NO. OF LIGHTS PER DRIVER 1 to 9  
 VOLTAGE REGION 120V  
 FOR NORTH AMERICA Yes  
 WATTAGE 100W  
 OUTPUT VOLTAGE 24V  
 SUPPLY TYPE Constant Voltage  
 DRIVER LOCATION Remote



ORDER CODE USCV-100-24-A-MW-ENC

LENGTH 550mm (21.6") WIDTH 65mm (2.60") HEIGHT 57mm (2.25")



#### 96W | DIMMING: PHASE

NO. OF LIGHTS PER DRIVER 1 to 8  
 VOLTAGE REGION 120V  
 FOR NORTH AMERICA Yes  
 WATTAGE 96W  
 OUTPUT VOLTAGE 24V  
 SUPPLY TYPE Constant Voltage  
 DRIVER LOCATION Remote



ORDER CODE USCV-96-24-P-LU

LENGTH 380mm (14.9") WIDTH 77mm (3.03") HEIGHT 57mm (2.24")



#### 100W | DIMMING: DALI

NO. OF LIGHTS PER DRIVER 1 to 8  
 VOLTAGE REGION 120V  
 FOR NORTH AMERICA Yes  
 WATTAGE 100W  
 OUTPUT VOLTAGE 24V  
 SUPPLY TYPE Constant Voltage  
 DRIVER LOCATION Remote



ORDER CODE USCV-100-24-D-EL-ENC

LENGTH 550mm (21.6") WIDTH 65mm (2.60") HEIGHT 57mm (2.25")

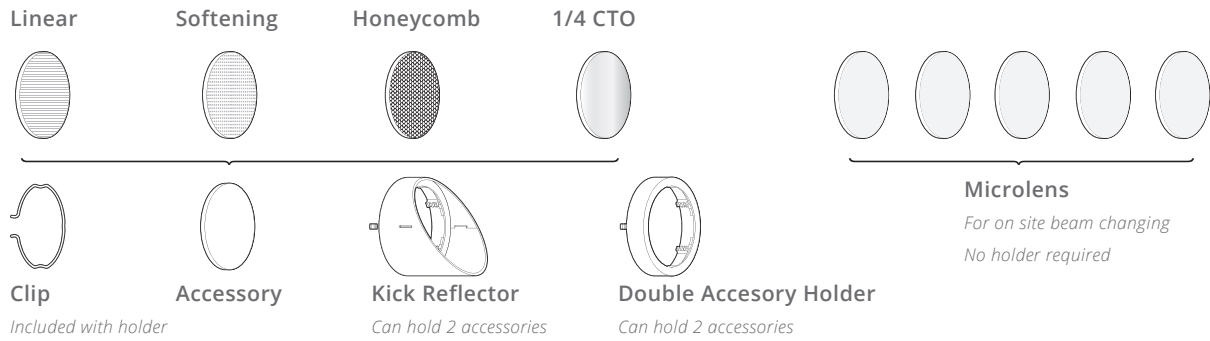


# 11 SERIES SPOTLIGHT ACCESSORIES

FOR USE WITH EVO 11 | RETRO 11 | MICROSPOT 11

## ACCESSORIES

The 11 series track and surface spotlights can accommodate accessories with snap in accessory holders.



### Double Accessory Holder

Can hold 2 accessories

HEIGHT 13mm (0.512")  
DAIMETER 43mm (1.693")



PART CODE 244-BK

### Kick Reflector Accessory Holder

Use only with the Glare Guard Snoot

HEIGHT 40mm (1.575")  
DAIMETER 43mm (1.693")

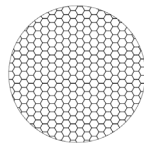


PART CODE 245-BK

### Honeycomb Louvre

Enhances glare control

THICKNESS 3.2mm (0.126")  
DAIMETER 37mm (1.260")



PART CODE 995-37-BK

### 1/4 CTO Dichroic

CCT warming - approx 300K

THICKNESS 1.8mm (0.071")  
DAIMETER 37mm (1.260")

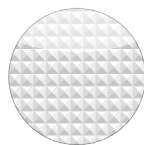


PART CODE 997-1/4CTO-37

### Softening Lens

Heavy Diffusion of beam

THICKNESS 3.2mm (0.126")  
DAIMETER 37mm (1.260")



PART CODE 991-37

### Linear Lens

Elongates beam

THICKNESS 3.9mm (0.154")  
DAIMETER 37mm (1.260")

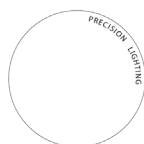


PART CODE 992-37

### Microlens

For on site beam angle changes. No holder required.

THICKNESS 1.0mm (0.039")  
DAIMETER 29.5mm (1.14")



PART CODE 911-01 Ultra Narrow  
911-02 Narrow  
911-03 Medium  
911-04 Flood  
911-05 Wide Flood