

# DOMINO 2 RECESSED TRIMLESS

## 12° NARROW BEAM



### TECHNICAL DESCRIPTION

Domino 2 Recessed Trimless is a Constant Current multi source LED spotlight that is machined from aerospace grade aluminium 6063-T6 and comes as standard in white, black and brushed aluminium. It has five site-changeable beam distributions including elliptical beams. The narrow beam in our 4.48W 360lm module has a peak intensity of 3132cd.

### MECHANICAL & ELECTRICAL

**CATEGORY** IP20

**MATERIAL** Machined AL 6063-T6

**PAN** N/A

**TILT** N/A

**LOCKABLE** N/A

**WEIGHT** 104g | 0.23lb

**WATTAGE** 4.48W

**FORWARD VOLTAGE** 6.4V

**DRIVE CURRENT** 700mA

**SUPPLY TYPE** Constant Current

**DRIVER LOCATION** Remote

**DIMMING** DALI | 0-10V | 1-10V | Casambi

### MOUNTING

**MOUNTING** Recessed

**CEILING THICKNESS** 5-25mm (0.20-0.98")

**CUTOUT** ø44mm x 22mm (1.73" x 0.86")

**MIN CEILING VOID** 20mm (0.79") clearance above

### FINISHES

**FINISHES** Brushed Aluminium | Black RAL9005 Visible

\*Premium & custom finishes are built & finished to order. These are subject to an extended lead time & MOQ.

### OPTICAL & STANDARDS

**NOMINAL LUMENS** 360lm

**DELIVERED LUMENS** 328lm

**COLOUR TEMPERATURE** 2700K | 3000K

**ACCESSORY HOLDER** N/A

**ACCESSORIES** N/A

**TM65** 8.83kgCO2e

**TM66** 2.2

**BEAM ANGLE** 12°

**CRI** 95 TYP

**TM-30** RF: 93 RG: 99

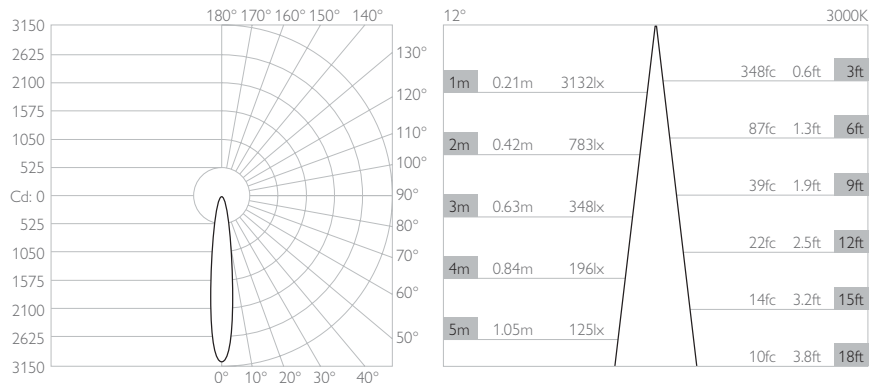
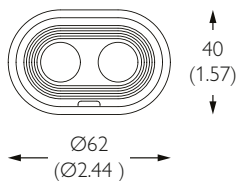
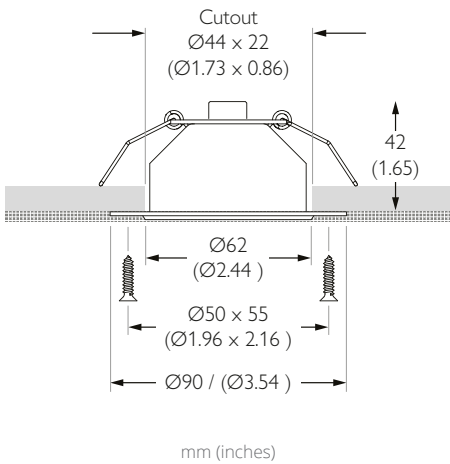
**WARRANTY** 5 Years

**LIFETIME** L90B10 100,000hrs

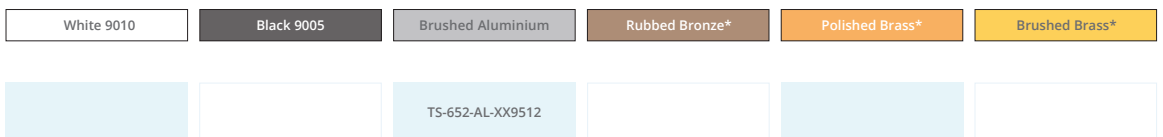
**STANDARDS**



Photometry shown is for 3000K module. Please enquire for other CCT photometry.



### LUMINAIRE FINISH



\*All premium & custom finishes are built & finished to order. These are subject to an extended lead time & MOQ

For 3000K Substitute XX with 30

For 2700K Substitute XX with 27

DOMINO 2 RECESSED TRIMLESS

30° FLOOD BEAM



TECHNICAL DESCRIPTION

Domino 2 Recessed Trimless is a Constant Current multi source LED spotlight that is machined from aerospace grade aluminium 6063-T6 and comes as standard in white, black and brushed aluminium. It has five site-changeable beam distributions including elliptical beams. The flood beam in our 4.48W 360lm module has a peak intensity of 940cd.

MECHANICAL & ELECTRICAL

<b>CATEGORY</b> IP20	<b>WATTAGE</b> 4.48W
<b>MATERIAL</b> Machined AL 6063-T6	<b>FORWARD VOLTAGE</b> 6.4V
<b>PAN</b> N/A	<b>DRIVE CURRENT</b> 700mA
<b>TILT</b> N/A	<b>SUPPLY TYPE</b> Constant Current
<b>LOCKABLE</b> N/A	<b>DRIVER LOCATION</b> Remote
<b>WEIGHT</b> 104g   0.23lb	<b>DIMMING</b> DALI   0-10V   1-10V   Casambi

MOUNTING

<b>MOUNTING</b> Recessed	<b>CUTOUT</b> ø44mm x 22mm (1.73" x 0.86")
<b>CEILING THICKNESS</b> 5-25mm (0.20-0.98")	<b>MIN CEILING VOID</b> 20mm (0.79") clearance above

FINISHES

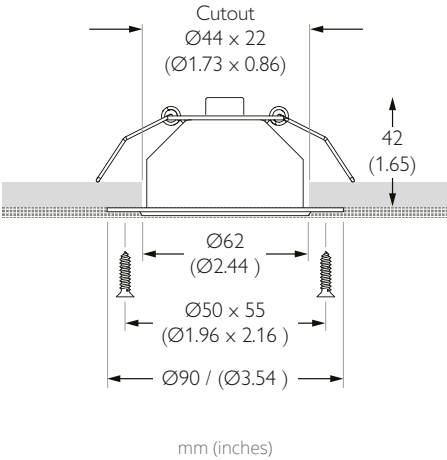
FINISHES Brushed Aluminium | Black RAL9005 Visible

\*Premium & custom finishes are built & finished to order. These are subject to an extended lead time & MOQ.

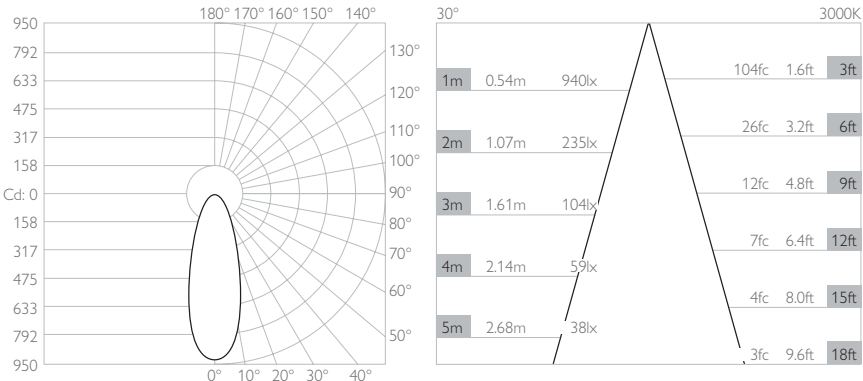
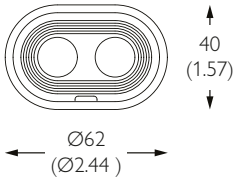
OPTICAL & STANDARDS

<b>NOMINAL LUMENS</b> 360lm	<b>BEAM ANGLE</b> 30°
<b>DELIVERED LUMENS</b> 300lm	<b>CRI</b> 95 TYP
<b>COLOUR TEMPERATURE</b> 2700K   3000K	<b>TM-30</b> RF: 93 RG: 99
<b>ACCESSORY HOLDER</b> N/A	<b>WARRANTY</b> 5 Years
<b>ACCESSORIES</b> N/A	<b>LIFETIME</b> L90B10 100,000hrs
<b>TM65</b> 8.83kgCO2e	<b>STANDARDS</b>
<b>TM66</b> 2.2	   

Photometry shown is for 3000K module. Please enquire for other CCT photometry.



mm (inches)



LUMINAIRE FINISH

White 9010	Black 9005	Brushed Aluminium	Rubbed Bronze*	Polished Brass*	Brushed Brass*
		TS-652-AL-XX9530			

\*All premium & custom finishes are built & finished to order. These are subject to an extended lead time & MOQ

For 3000K Substitute XX with 30

For 2700K Substitute XX with 27

# DOMINO 2 RECESSED TRIMLESS

## 60° WIDE FLOOD BEAM



### TECHNICAL DESCRIPTION

Domino 2 Recessed Trimless is a Constant Current multi source LED spotlight that is machined from aerospace grade aluminium 6063-T6 and comes as standard in white, black and brushed aluminium. It has five site-changeable beam distributions including elliptical beams. The wide flood beam in our 4.48W 360lm module has a peak intensity of 326cd.

### MECHANICAL & ELECTRICAL

**CATEGORY** IP20

**MATERIAL** Machined AL 6063-T6

**PAN** N/A

**TILT** N/A

**LOCKABLE** N/A

**WEIGHT** 104g | 0.23lb

**WATTAGE** 4.48W

**FORWARD VOLTAGE** 6.4V

**DRIVE CURRENT** 700mA

**SUPPLY TYPE** Constant Current

**DRIVER LOCATION** Remote

**DIMMING** DALI | 0-10V | 1-10V | Casambi

### MOUNTING

**MOUNTING** Recessed

**CEILING THICKNESS** 5-25mm (0.20-0.98")

**CUTOUT** ø44mm x 22mm (1.73" x 0.86")

**MIN CEILING VOID** 20mm (0.79") clearance above

### FINISHES

**FINISHES** Brushed Aluminium | Black RAL9005 Visible

\*Premium & custom finishes are built & finished to order. These are subject to an extended lead time & MOQ.

### OPTICAL & STANDARDS

**NOMINAL LUMENS** 360lm

**DELIVERED LUMENS** 326lm

**COLOUR TEMPERATURE** 2700K | 3000K

**ACCESSORY HOLDER** N/A

**ACCESSORIES** N/A

**TM65** 8.83kgCO2e

**TM66** 2.2

**BEAM ANGLE** 60°

**CRI** 95 TYP

**TM-30** RF: 93 RG: 99

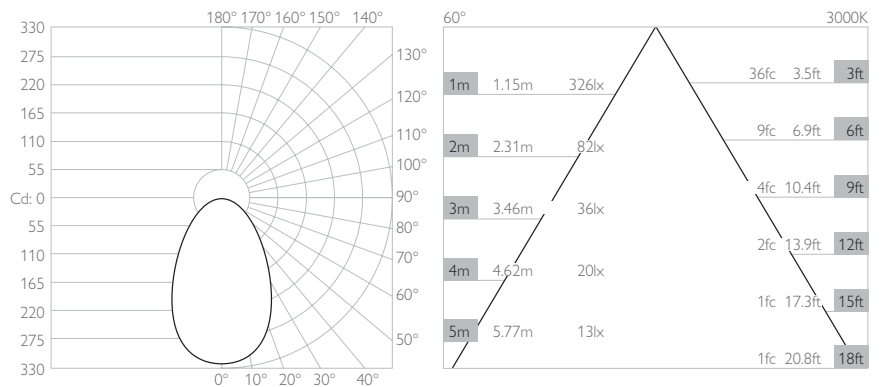
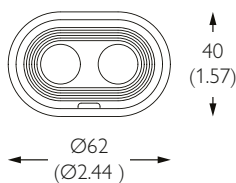
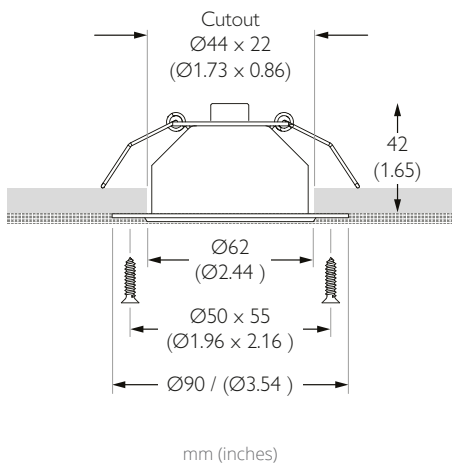
**WARRANTY** 5 Years

**LIFETIME** L90B10 100,000hrs

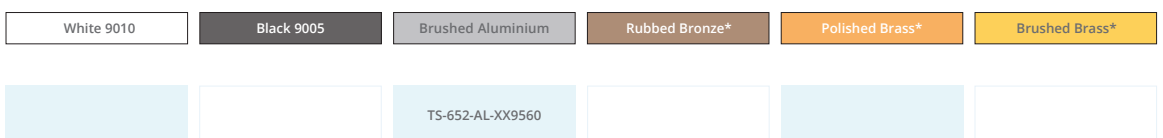
**STANDARDS**



Photometry shown is for 3000K module. Please enquire for other CCT photometry.



### LUMINAIRE FINISH



\*All premium & custom finishes are built & finished to order. These are subject to an extended lead time & MOQ

For 3000K Substitute XX with 30

For 2700K Substitute XX with 27

# DOMINO 2 RECESSED TRIMLESS

## 12X35° ELLIPSE BEAM



### TECHNICAL DESCRIPTION

Domino 2 Recessed Trimless is a Constant Current multi source LED spotlight that is machined from aerospace grade aluminium 6063-T6 and comes as standard in white, black and brushed aluminium. It has five site-changeable beam distributions including elliptical beams. The ellipse beam in our 4.48W 360lm module has a peak intensity of 1944cd.

### MECHANICAL & ELECTRICAL

**CATEGORY** IP20

**MATERIAL** Machined AL 6063-T6

**PAN** N/A

**TILT** N/A

**LOCKABLE** N/A

**WEIGHT** 104g | 0.23lb

**WATTAGE** 4.48W

**FORWARD VOLTAGE** 6.4V

**DRIVE CURRENT** 700mA

**SUPPLY TYPE** Constant Current

**DRIVER LOCATION** Remote

**DIMMING** DALI | 0-10V | 1-10V | Casambi

### MOUNTING

**MOUNTING** Recessed

**CEILING THICKNESS** 5-25mm (0.20-0.98")

**CUTOUT** ø44mm x 22mm (1.73" x 0.86")

**MIN CEILING VOID** 20mm (0.79") clearance above

### FINISHES

**FINISHES** Brushed Aluminium | Black RAL9005 Visible

\*Premium & custom finishes are built & finished to order. These are subject to an extended lead time & MOQ.

### OPTICAL & STANDARDS

**NOMINAL LUMENS** 360lm

**DELIVERED LUMENS** 328lm

**COLOUR TEMPERATURE** 2700K | 3000K

**ACCESSORY HOLDER** N/A

**ACCESSORIES** N/A

**TM65** 8.83kgCO2e

**TM66** 2.2

**BEAM ANGLE** 12x35°

**CRI** 95 TYP

**TM-30** RF: 93 RG: 99

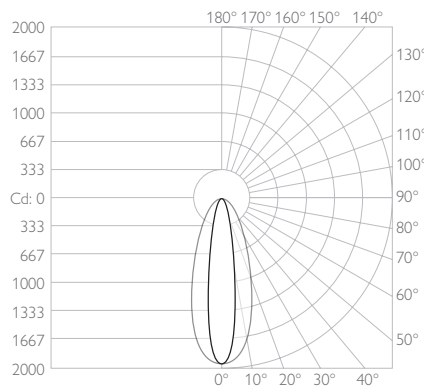
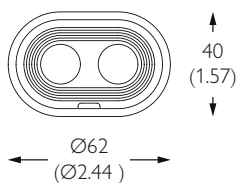
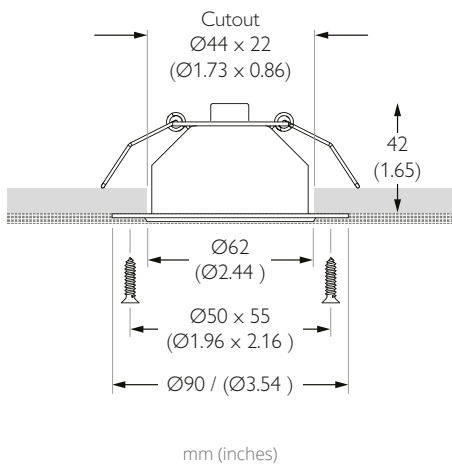
**WARRANTY** 5 Years

**LIFETIME** L90B10 100,000hrs

**STANDARDS**

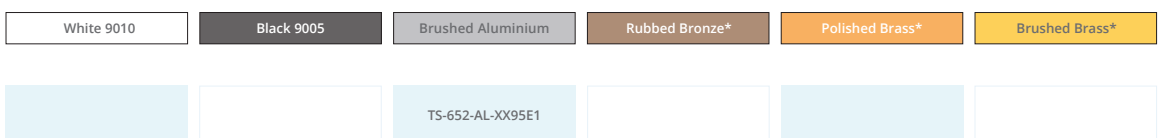


Photometry shown is for 3000K module. Please enquire for other CCT photometry.



Distance (m)	Distance (ft)	Beam Diameter (m)	Beam Diameter (ft)	Beam Diameter (in)
0.21m	0.6ft	0.63m	1.9ft	3ft
0.42m	1.3ft	1.26m	3.8ft	6ft
0.63m	1.9ft	1.89m	5.7ft	9ft
0.84m	2.5ft	2.52m	7.6ft	12ft
1.05m	3.2ft	3.15m	9.5ft	15ft
1.26m	3.8ft	3.78m	11.4ft	18ft

### LUMINAIRE FINISH



\*All premium & custom finishes are built & finished to order. These are subject to an extended lead time & MOQ

For 3000K Substitute XX with 30

For 2700K Substitute XX with 27

# DOMINO 2 RECESSED TRIMLESS

## 35X12° VERTICAL ELLIPSE BEAM



### TECHNICAL DESCRIPTION

Domino 2 Recessed Trimless is a Constant Current multi source LED spotlight that is machined from aerospace grade aluminium 6063-T6 and comes as standard in white, black and brushed aluminium. It has five site-changeable beam distributions including elliptical beams. The vertical ellipse beam in our 4.48W 360lm module has a peak intensity of 1944cd.

### MECHANICAL & ELECTRICAL

**CATEGORY** IP20

**MATERIAL** Machined AL 6063-T6

**PAN** N/A

**TILT** N/A

**LOCKABLE** N/A

**WEIGHT** 104g | 0.23lb

**WATTAGE** 4.48W

**FORWARD VOLTAGE** 6.4V

**DRIVE CURRENT** 700mA

**SUPPLY TYPE** Constant Current

**DRIVER LOCATION** Remote

**DIMMING** DALI | 0-10V | 1-10V | Casambi

### MOUNTING

**MOUNTING** Recessed

**CEILING THICKNESS** 5-25mm (0.20-0.98")

**CUTOUT** ø44mm x 22mm (1.73" x 0.86")

**MIN CEILING VOID** 20mm (0.79") clearance above

### FINISHES

**FINISHES** Brushed Aluminium | Black RAL9005 Visible

\*Premium & custom finishes are built & finished to order. These are subject to an extended lead time & MOQ.

### OPTICAL & STANDARDS

**NOMINAL LUMENS** 360lm

**DELIVERED LUMENS** 328lm

**COLOUR TEMPERATURE** 2700K | 3000K

**ACCESSORY HOLDER** N/A

**ACCESSORIES** N/A

**TM65** 8.83kgCO2e

**TM66** 2.2

**BEAM ANGLE** 35x12°

**CRI** 95 TYP

**TM-30** RF: 93 RG: 99

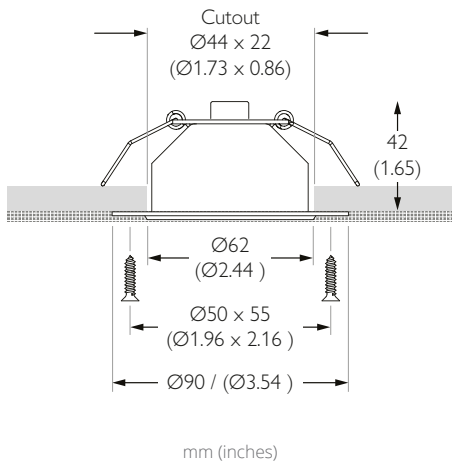
**WARRANTY** 5 Years

**LIFETIME** L90B10 100,000hrs

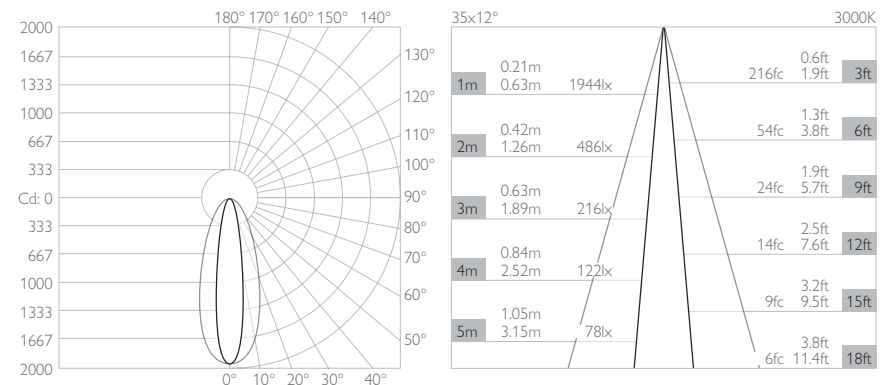
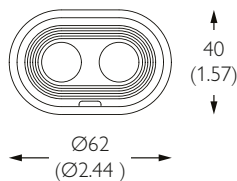
**STANDARDS**



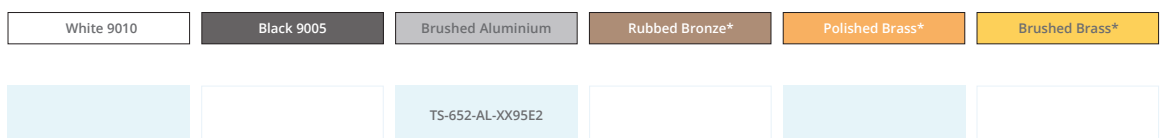
Photometry shown is for 3000K module. Please enquire for other CCT photometry.



mm (inches)



### LUMINAIRE FINISH



\*All premium & custom finishes are built & finished to order. These are subject to an extended lead time & MOQ

For 3000K Substitute XX with 30

For 2700K Substitute XX with 27

## DOMINO 2

### DRIVER COMPATIBILITY

#### 20W | DIMMING: DALI OR 0-10V

NO. OF LIGHTS PER DRIVER 1 to 4 in series

MIN DIM LEVEL 0.1%

VOLTAGE REGION 230V

FOR NORTH AMERICA No

WATTAGE 20W

SUPPLY TYPE Constant Current

DRIVER LOCATION Remote

MANUFACTURER Eldoled



DALI CODE PSCC-20-700-D-EL

0-10V CODE PSCC-20-700-A-EL

LENGTH 160mm (6.30") WIDTH 41mm (1.63") HEIGHT 30mm (1.18")



#### 30W | DIMMING: DALI OR 0-10V

NO. OF LIGHTS PER DRIVER 1 to 6 in series

MIN DIM LEVEL 0.1%

VOLTAGE REGION 120V

FOR NORTH AMERICA Yes

WATTAGE 30W

SUPPLY TYPE Constant Current

DRIVER LOCATION Remote

MANUFACTURER Eldoled



DALI CODE USCC-30-700-D-EL-ENC

0-10V CODE USCC-30-700-A-EL-ENC

LENGTH 348mm (13.7") WIDTH 65mm (2.6") HEIGHT 47mm (1.9")



#### 12W | DIMMING: PHASE

NO. OF LIGHTS PER DRIVER 1 to 2 in series

MIN DIM LEVEL 1%

VOLTAGE REGION 120V

FOR NORTH AMERICA Yes

WATTAGE 12W

SUPPLY TYPE Constant Current

DRIVER LOCATION Remote

MANUFACTURER Hatch



PHASE CODE USCC-12-700-P-HT-ENC

LENGTH 247mm (9.7") WIDTH 65mm (2.6") HEIGHT 47mm (1.9")

