

DAGGER

SURFACE MOUNT



Dagger - Linear LED system. Wherever a technically straightforward, economic linear lighting is needed, DAGGER is the ideal solution. The flexible LED modules are available in per-assembled configurations in defined lengths and can be built to any special length for the clients requirements. This not only offers tremendous advantages for installation but also ensures the look you designed the linear lighting into the space.

Ordering Code



Product Specifications

SAMPLE : Fixture 565 - 135 - 500 - LO - 27 - 02 - E36 - 6'

| 1 - Type | 2 - Model | 3 - Lens | 4 - LED Style ^{*1} | |
|--|--|--|---|---|
| 565 · Profile | 135 · Dagger | 500 · Frosted 502 · Clear 512 · Black | Static White LO1W · LLHE48LO-1W 1 Watt LO · LLHE48LO Low Output SO · LLHE48SO Standard Output MO · LLHE48MO Medium Output HO · LLHE48HO High Output VHO · LLHE64MO Very High Output XHO · LLHE64HO Max Output 271 · 271 Style LED Strip ^{*5} | Dynamic Color ^{*2} DWSO · LLDW68SO Dynamic White Standard Output DWHO · LLDW68HO Dynamic White High Output RGBSO · LLRGB42SO Color changing Standard Output RGBHO · LLRGB42HO Color changing High Output RGBWSO · LL-RGBW36-SO Color changing Standard Output RGBWHO · LL-RGBW36-HO Color changing High Output |
| 5 - CCT | 6 - Finish | 7 - Feed Point | 8 - Fixture Length ^{*1} | |
| Static White 22 · 2200K 25 · 2500K 27 · 2700K 30 · 3000K 35 · 3500K 40 · 4000K | Dynamic Color ^{*2} 1935 · 1900K - 3500K ^{*4} 98 · RGB Color changing 99 · RGB+W Color changing | 01 · White 02 · Black ^{*3} 08 · Silver ^{*3} XX · Custom | B36 · 36" Back Fed E36 · 36" End Fed BXX · Custom Back Fed EXX · Custom End Fed | XX · Custom (XX.XX) <i>Continuous runs will be made in equal sections no more than 8' long</i> NOTE: For Channels and Lenses over 90", incremental shipping charges will apply |

*1 Refer to page 2 for LED cut length intervals and available CCT
 *2 DMX driver required
 *3 Anodized finish
 *4 Please ask about different CCT ranges
 *5 Only available in 3500K

LED Technical Information

| | STYLE | WATT/FT | DELIVERED LM/FT CLEAR | DELIVERED LM/FT FROSTED | DELIVERED LM/FT BLACK | CRI | MAX. LENGTH | Color TEMPERATURE |
|----------------------|----------------------|---------|--------------------------|----------------------------|--------------------------|-----|----------------|---|
| Static White | LLHE48LO-1W | 1.0 | 98 | 88 | 25 | 92 | 60' | 2200K, 2500K, 2700K, 3000K, 3500K, 4000K |
| | LLHE48LO | 1.9 | 198 | 176 | 49 | 92 | 48' | |
| | LLHE48SO | 2.8 | 282 | 252 | 70 | 92 | 42' | |
| | LLHE48MO | 3.5 | 377 | 336 | 94 | 92 | 33' | |
| | LLHE48HO | 7.3 | 604 | 539 | 151 | 92 | 21' | |
| | LLHE64VHO | 7.5 | 893 | 799 | 247 | 92 | 15' | |
| | LLHE64XHO | 9.6 | 1078 | 956 | 295 | 92 | 13' | |
| | 271 | 7.3 | 686 | 612 | 171 | 90 | 9.8' | |
| Dynamic Color | LLDW68SO-1935 | 4.1 | 258 | 230 | 64 | 95 | 32' | 1900K - 3500K |
| | LLDW68HO-1935 | 5.2 | 326 | 291 | 81 | 96 | 32' | |
| | LLRGB42SO | 4.4 | 156 | 139 | 39 | --- | 28' | Red/Green/Blue |
| | LLRGB42HO | 7.7 | 242 | 216 | 60 | --- | 28' | |
| | LLRGBW36SO | 4.1 | 165 | 147 | 41 | 97 | 26' | Red/Green/Blue White LED 97 CRI / 3000K |
| | LLRGBW36HO | 7.6 | 295 | 263 | 73 | 97 | 26' | |

* Lumen output calculations based on 3500K.
For LED strip information, See the page for:

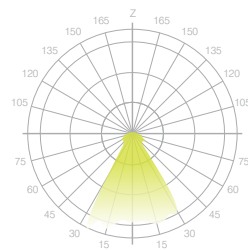
LLHE48 & 64 [HERE](#)
LLDW68 [HERE](#)
LLRGB42 [HERE](#)
LLRGBW36 [HERE](#)

Lens/Light Distribution

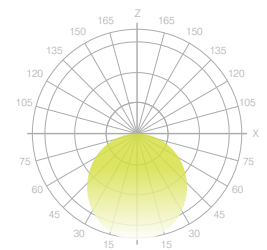
part number **500** (frosted 65% transparent)
502 (clear 95% transparent)

- PMMA construction
- Easily clipped in profile
- Comes precut to match profile length
- Flush

Clear Lens



Frosted Lens



DAGGER

SURFACE MOUNT

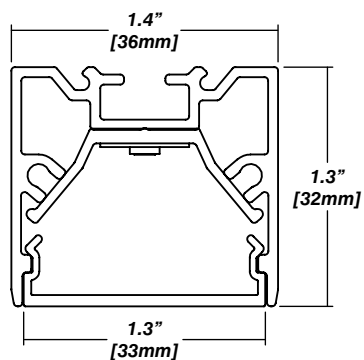
Construction

- Housing: Aluminum extrusion
- Made in Canada

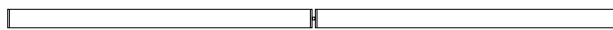
Installation

- Factory assembled for easy and fast installation
- Electrical wire included

Dimensions

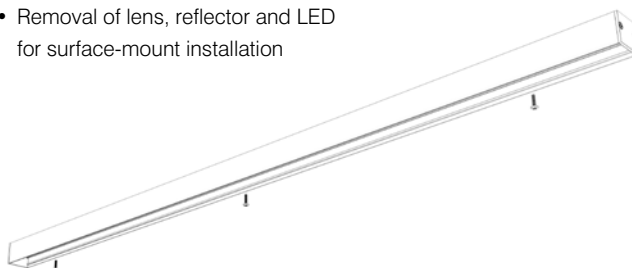


Joining Sections



Mounting

- Removal of lens, reflector and LED for surface-mount installation



Universal Power Supply 1% 120VAC - 277VAC

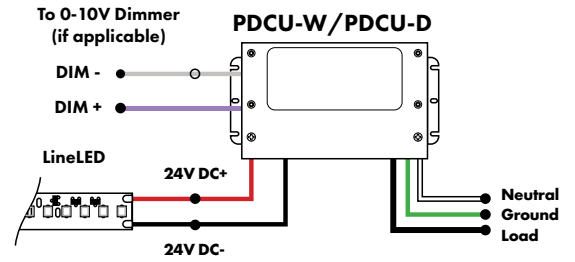
Universal Power Supply 1% 120VAC - 277VAC

| MODEL | POWER | OUTPUT |
|--------------------------|-------------------------------------|-------------|
| PDCU-D - IP20 Dry Series | 30 - 30 W 60 - 60 W 96 - 96 W | 24 - 24 VDC |

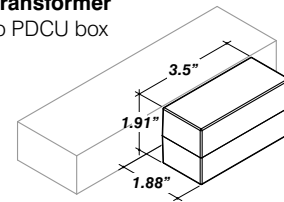
PDCU-W - IP66 Wet Series 96 - 96 W

0-10V dims down to 1%, MLV/ELV/TRIAC dims down to 1%.
Contact Senso to specify 347V transformer.
For a complete details on the Universal Power Supply, see Spec Sheet, Compatible Dimming and Install Guide on the [Resources page](#).

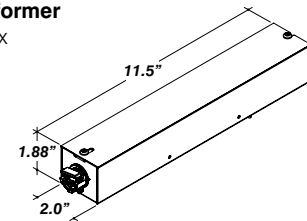
| MODELS | PDCU-W 96W | PDCU-D 30W | PDCU-D 60W | PDCU-D 96W |
|--------|------------|------------|------------|------------|
| Length | 8.66" | 6.10" | 7.93" | 8.25" |
| Width | 3.73" | 3.35" | 3.35" | 4.10" |
| Depth | 1.61" | 1.33" | 1.32" | 1.56" |



30W/60W 347V Transformer
attaches directly to PDCU box



96W 347V Transformer
wired to PDCU box



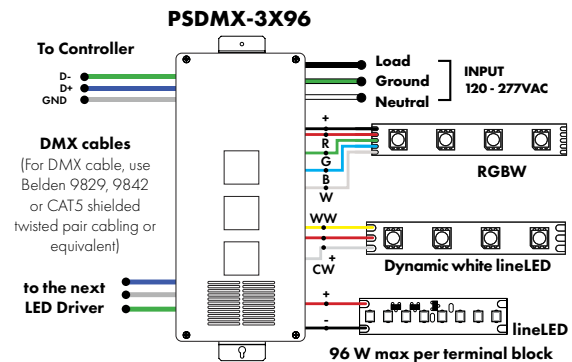
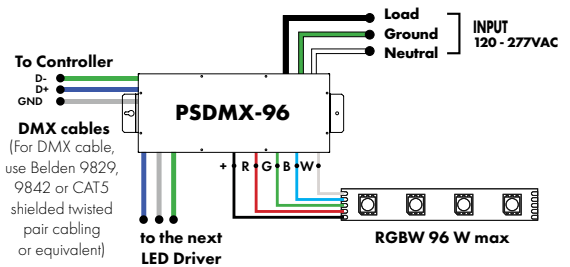
DMX Dimming Power Supply 120VAC - 277VAC

DMX Dimming Power Supplies 120VAC - 277VAC

| MODEL | POWER | OUTPUT |
|--|------------------------------------|-------------|
| PSDMX - DMX Power Supply dims down to 0% | 96 - 96 Watt 3X96 - 3 X 96 Watt | 24 - 24 VDC |

Features eldoLED's LINEARdrive configurable dimmable drivers. For a complete details on the DMX Dimming Power Supply, see Spec Sheet on the [Resources page](#).

| MODELS | 96W | 3X96 |
|--------|--------|--------|
| Length | 14.40" | 15.75" |
| Width | 5.20" | 6.62" |
| Depth | 2.60" | 4.95" |



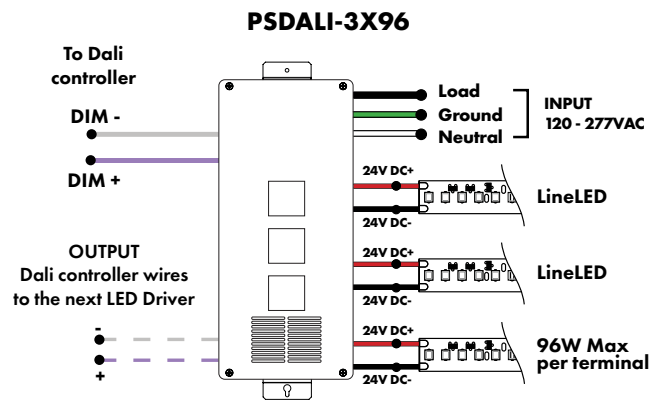
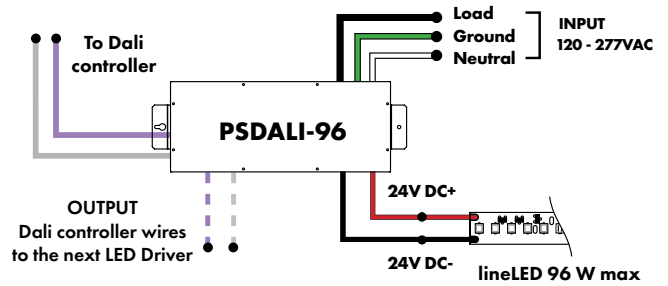
DALI 0% Dimming Power Supplies 120VAC - 277VAC

DALI 0% Dimming Power Supplies 120VAC - 277VAC

| MODEL | POWER | OUTPUT |
|---|------------------------------------|-------------|
| PSDALI - DALI Power Supply dims down to 0% | 96 - 96 Watt 3X96 - 3 X 96 Watt | 24 - 24 VDC |

Features eldoLED's LINEARdrive configurable dimmable drivers

| | | |
|--------|--------|--------|
| Model | 96W | 3X96 |
| Length | 14.40" | 15.75" |
| Width | 5.20" | 6.62" |
| Depth | 2.60" | 4.95" |



LUTRON®

Luminii is a Lutron OEM Advantage Partner

Lutron Power Supplies 1%

MODEL

LTEA4U1UKL-CV240

Lutron - Hi-lume™ 1% 2-wire LED Driver
40W max

(120V forward phase only)

MODEL

L3DA4U1UKL-CV240

Hi-lume™ 1% EcoSystem Voltage LED driver
40W max

| MODELS | LTEA4U1UKL-CV240 | L3DA4U1UKL-CV240 |
|--------|------------------|------------------|
| Length | 4.89" | 4.98" |
| Width | 4.00" | 4.00" |
| Depth | 2.62" | 2.62" |

For a complete details on the Lutron Power Supply, see Spec Sheet and Install Guide on the [Resources page](#).

LUTRON®

Luminii is a Lutron OEM Advantage Partner

Lutron Power Supplies 0.1%

MODEL

L3D0-96W24V-U

Hi-lume™ 0.1% EcoSystem Voltage LED Driver with Soft-On, Fade-to-Black™
96W max

| MODELS | L3D0 |
|--------|--------|
| Length | 10.50" |
| Width | 5.50" |
| Depth | 2.00" |

