

ATTO
NARROW



TECHNICAL DESCRIPTION

Atto is a Constant Current single source LED spotlight that is machined from aerospace grade aluminium 6063-T6 and comes as standard in white, black and brushed aluminium along with three premium brass finishes. It has four site-changeable optics for flexible beam distribution and is fully adjustable with lockable 360° pan and 180° tilt. The narrow beam in our 1.12W 102lm module has a peak intensity of 794cd. A snoot and accessory holder is available separately.

MECHANICAL & ELECTRICAL

CATEGORY IP20

MATERIAL Machined AL 6063-T6 | Machined Brass

PAN 360°

TILT 180°

LOCKABLE Pan & Tilt

WEIGHT 26g | 0.06lb

WATTAGE 1.12W

FORWARD VOLTAGE 3.2V

DRIVE CURRENT 350mA

SUPPLY TYPE Constant Current

DRIVER LOCATION Remote

DIMMING DALI | 0-10V | 1-10V | Casambi

MOUNTING

MOUNTING M10 / Screw Fixing

CEILING THICKNESS N/A

CUTOUT N/A

MIN CEILING VOID N/A

FINISHES

FINISHES Brushed Aluminium | White RAL9010 | Matte Black Anodised | Rubbed Bronze* | Polished Brass* | Brushed Brass*

*Premium & custom finishes are built & finished to order. These are subject to an extended lead time & MOQ.

OPTICAL & STANDARDS

NOMINAL LUMENS 102lm

DELIVERED LUMENS 94lm

COLOUR TEMPERATURE 2700K | 3000K

ACCESSORY HOLDER N/A

ACCESSORIES Snoots

TM65 6.54kgCO2e

TM66 2.4

BEAM ANGLE 16°

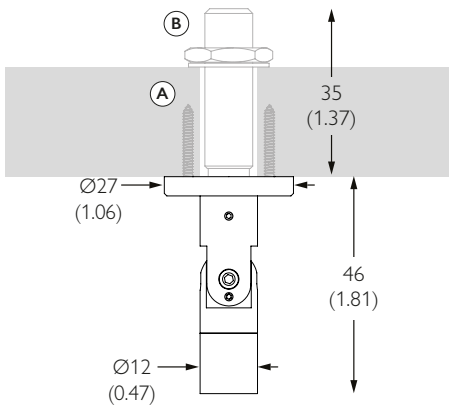
CRI 95 TYP

TM-30 RF: 93 RG: 99

WARRANTY 5 Years

LIFETIME L90B10 100,000hrs

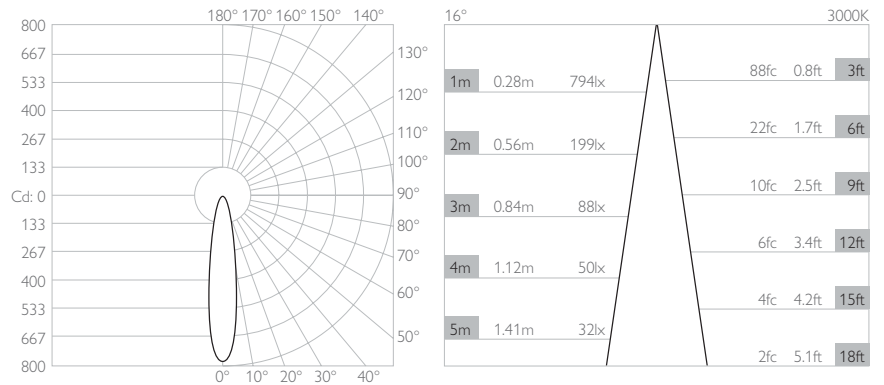
STANDARDS



mm (inches)

threaded stud B can be removed upon request

Photometry shown is for 3000K module. Please enquire for other CCT photometry.



FINISH

LED CCT

BEAM ANGLE

761

WH White 9010

EBA Black 9005

AL Brushed Aluminium

RB Rubbed Bronze*

PB Polished Brass*

SB Brushed Brass*

2795 2700K 95CRI

3095 3000K 95CRI

16 Narrow

23 Medium

45 Flood

90 Wide Flood

Example Code: 761-WH-309516

*Premium & custom finishes are built to order, subject to an extended lead time & MOQ



TECHNICAL DESCRIPTION

Atto is a Constant Current single source LED spotlight that is machined from aerospace grade aluminium 6063-T6 and comes as standard in white, black and brushed aluminium along with three premium brass finishes. It has four site-changeable optics for flexible beam distribution and is fully adjustable with lockable 360° pan and 180° tilt. The medium beam in our 1.12W 102lm module has a peak intensity of 359cd. A snoot and accessory holder is available separately.

MECHANICAL & ELECTRICAL

CATEGORY IP20	WATTAGE 1.12W
MATERIAL Machined AL 6063-T6 Machined Brass	FORWARD VOLTAGE 3.2V
PAN 360°	DRIVE CURRENT 350mA
TILT 180°	SUPPLY TYPE Constant Current
LOCKABLE Pan & Tilt	DRIVER LOCATION Remote
WEIGHT 26g 0.06lb	DIMMING DALI 0-10V 1-10V Casambi

MOUNTING

MOUNTING M10 / Screw Fixing	CUTOUT N/A
CEILING THICKNESS N/A	MIN CEILING VOID N/A

FINISHES

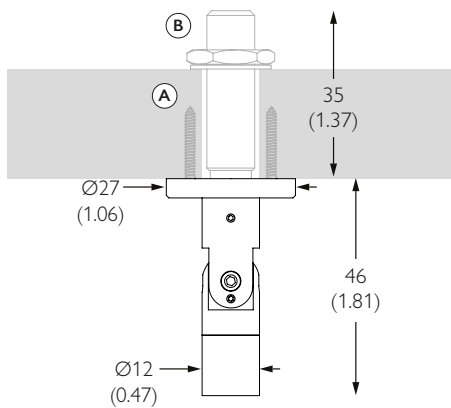
FINISHES Brushed Aluminium | White RAL9010 | Matte Black Anodised | Rubbed Bronze* | Polished Brass* | Brushed Brass*
*Premium & custom finishes are built & finished to order. These are subject to an extended lead time & MOQ.

OPTICAL & STANDARDS

NOMINAL LUMENS 102lm	BEAM ANGLE 23°
DELIVERED LUMENS 92lm	CRI 95 TYP
COLOUR TEMPERATURE 2700K 3000K	TM-30 RF: 93 RG: 99
ACCESSORY HOLDER N/A	WARRANTY 5 Years
ACCESSORIES Snoots	LIFETIME L90B10 100,000hrs
TM65 6.54kgCO2e	STANDARDS
TM66 2.4	

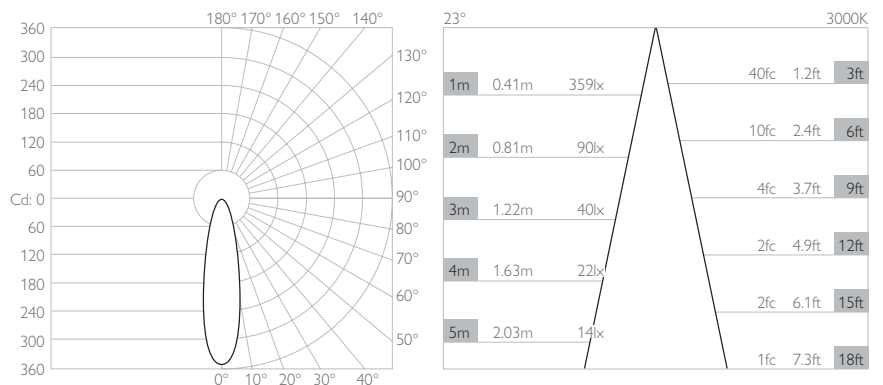


Photometry shown is for 3000K module. Please enquire for other CCT photometry.



mm (inches)

threaded stud B can be removed upon request



FINISH

LED CCT

BEAM ANGLE

761	<ul style="list-style-type: none"> WH White 9010 EBA Black 9005 AL Brushed Aluminium RB Rubbed Bronze* PB Polished Brass* SB Brushed Brass* 	<ul style="list-style-type: none"> 2795 2700K 95CRI 3095 3000K 95CRI 	<ul style="list-style-type: none"> 16 Narrow 23 Medium 45 Flood 90 Wide Flood
-----	---	--	---

Example Code: 761-WH-309523

*Premium & custom finishes are built to order, subject to an extended lead time & MOQ



TECHNICAL DESCRIPTION

Atto is a Constant Current single source LED spotlight that is machined from aerospace grade aluminium 6063-T6 and comes as standard in white, black and brushed aluminium along with three premium brass finishes. It has four site-changeable optics for flexible beam distribution and is fully adjustable with lockable 360° pan and 180° tilt. The flood beam in our 1.12W 102lm module has a peak intensity of 109cd. A snoot and accessory holder is available separately.

MECHANICAL & ELECTRICAL

CATEGORY IP20	WATTAGE 1.12W
MATERIAL Machined AL 6063-T6 Machined Brass	FORWARD VOLTAGE 3.2V
PAN 360°	DRIVE CURRENT 350mA
TILT 180°	SUPPLY TYPE Constant Current
LOCKABLE Pan & Tilt	DRIVER LOCATION Remote
WEIGHT 26g 0.06lb	DIMMING DALI 0-10V 1-10V Casambi

MOUNTING

MOUNTING M10 / Screw Fixing	CUTOUT N/A
CEILING THICKNESS N/A	MIN CEILING VOID N/A

FINISHES

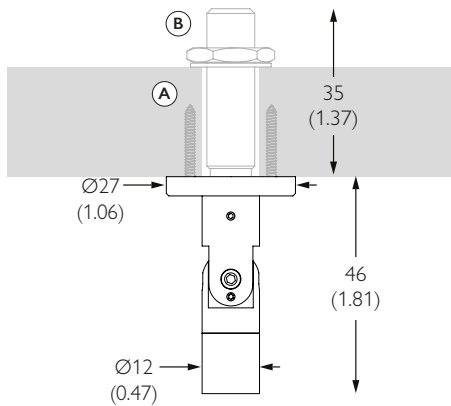
FINISHES Brushed Aluminium | White RAL9010 | Matte Black Anodised | Rubbed Bronze* | Polished Brass* | Brushed Brass*
 *Premium & custom finishes are built & finished to order. These are subject to an extended lead time & MOQ.

OPTICAL & STANDARDS

NOMINAL LUMENS 102lm	BEAM ANGLE 45°
DELIVERED LUMENS 93lm	CRI 95 TYP
COLOUR TEMPERATURE 2700K 3000K	TM-30 RF: 93 RG: 99
ACCESSORY HOLDER N/A	WARRANTY 5 Years
ACCESSORIES Snoots	LIFETIME L90B10 100,000hrs
TM65 6.54kgCO2e	STANDARDS
TM66 2.4	

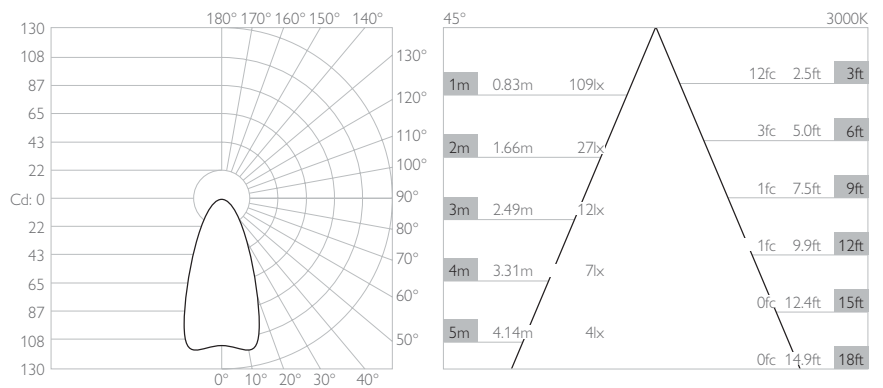


Photometry shown is for 3000K module. Please enquire for other CCT photometry.



mm (inches)

threaded stud B can be removed upon request



FINISH

LED CCT

BEAM ANGLE

761			
	<ul style="list-style-type: none"> WH White 9010 EBA Black 9005 AL Brushed Aluminium RB Rubbed Bronze* PB Polished Brass* SB Brushed Brass* 	<ul style="list-style-type: none"> 2795 2700K 95CRI 3095 3000K 95CRI 	<ul style="list-style-type: none"> 16 Narrow 23 Medium 45 Flood 90 Wide Flood

Example Code: 761-WH-309545

*Premium & custom finishes are built to order, subject to an extended lead time & MOQ

ATTO

WIDE FLOOD



TECHNICAL DESCRIPTION

Atto is a Constant Current single source LED spotlight that is machined from aerospace grade aluminium 6063-T6 and comes as standard in white, black and brushed aluminium along with three premium brass finishes. It has four site-changeable optics for flexible beam distribution and is fully adjustable with lockable 360° pan and 180° tilt. The wide flood beam in our 1.12W 102lm module has a peak intensity of 26cd. A snoot and accessory holder is available separately.

MECHANICAL & ELECTRICAL

CATEGORY IP20	WATTAGE 1.12W
MATERIAL Machined AL 6063-T6 Machined Brass	FORWARD VOLTAGE 3.2V
PAN 360°	DRIVE CURRENT 350mA
TILT 180°	SUPPLY TYPE Constant Current
LOCKABLE Pan & Tilt	DRIVER LOCATION Remote
WEIGHT 26g 0.06lb	DIMMING DALI 0-10V 1-10V Casambi

MOUNTING

MOUNTING M10 / Screw Fixing	CUTOUT N/A
CEILING THICKNESS N/A	MIN CEILING VOID N/A

FINISHES

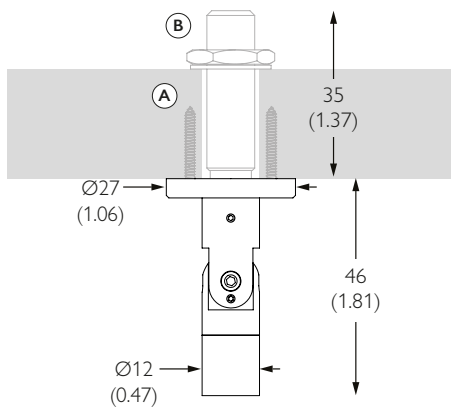
FINISHES Brushed Aluminium | White RAL9010 | Matte Black Anodised | Rubbed Bronze* | Polished Brass* | Brushed Brass*
 *Premium & custom finishes are built & finished to order. These are subject to an extended lead time & MOQ.

OPTICAL & STANDARDS

NOMINAL LUMENS 102lm	BEAM ANGLE 90°
DELIVERED LUMENS 69lm	CRI 95 TYP
COLOUR TEMPERATURE 2700K 3000K	TM-30 RF: 93 RG: 99
ACCESSORY HOLDER N/A	WARRANTY 5 Years
ACCESSORIES Snoots	LIFETIME L90B10 100,000hrs
TM65 6.54kgCO2e	STANDARDS
TM66 2.4	

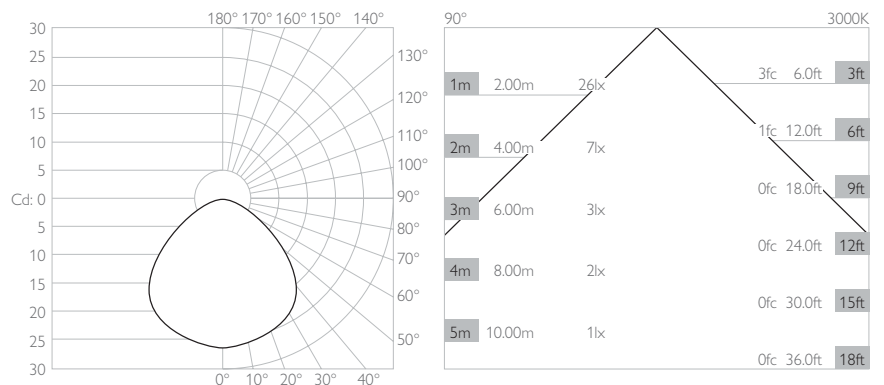


Photometry shown is for 3000K module. Please enquire for other CCT photometry.



mm (inches)

threaded stud B can be removed upon request



FINISH

LED CCT

BEAM ANGLE

761			
	<ul style="list-style-type: none"> WH White 9010 EBA Black 9005 AL Brushed Aluminium RB Rubbed Bronze* PB Polished Brass* SB Brushed Brass* 	<ul style="list-style-type: none"> 2795 2700K 95CRI 3095 3000K 95CRI 	<ul style="list-style-type: none"> 16 Narrow 23 Medium 45 Flood 90 Wide Flood

Example Code: 761-WH-309590

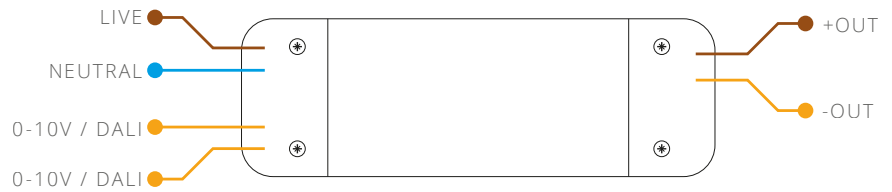
*Premium & custom finishes are built to order, subject to an extended lead time & MOQ

ATTO

DRIVER COMPATIBILITY

20W | DIMMING: DALI OR 0-10V

NO. OF LIGHTS PER DRIVER 1 to 12 in series
MIN DIM LEVEL 0.1%
VOLTAGE REGION 230V
FOR NORTH AMERICA No
WATTAGE 20W
SUPPLY TYPE Constant Current
DRIVER LOCATION Remote
MANUFACTURER Eldoled



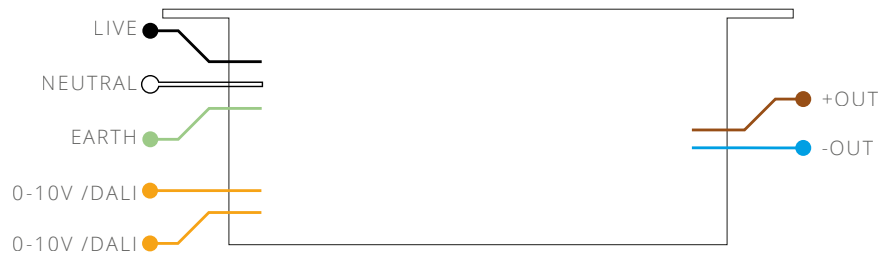
DALI CODE PSCC-20-350-D-EL
0-10V CODE PSCC-20-350-A-EL

LENGTH 160mm (6.30") **WIDTH** 41mm (1.63") **HEIGHT** 30mm (1.18")



30W | DIMMING: DALI OR 0-10V

NO. OF LIGHTS PER DRIVER 1 to 16 in series
MIN DIM LEVEL 0.1%
VOLTAGE REGION 120V
FOR NORTH AMERICA Yes
WATTAGE 30W
SUPPLY TYPE Constant Current
DRIVER LOCATION Remote
MANUFACTURER Eldoled



DALI CODE USCC-30-350-D-EL-ENC
0-10V CODE USCC-30-350-A-EL-ENC

LENGTH 348mm (13.7") **WIDTH** 65mm (2.6") **HEIGHT** 47mm (1.9")



12W | DIMMING: PHASE

NO. OF LIGHTS PER DRIVER 3 to 10 in series
MIN DIM LEVEL 1%
VOLTAGE REGION 120V
FOR NORTH AMERICA Yes
WATTAGE 12W
SUPPLY TYPE Constant Current
DRIVER LOCATION Remote
MANUFACTURER Hatch



PHASE CODE USCC-12-350-P-HT-ENC

LENGTH 247mm (9.7") **WIDTH** 65mm (2.6") **HEIGHT** 47mm (1.9")

