

ATTO T JACK

NARROW



TECHNICAL DESCRIPTION

Atto T Jack is a Constant Current single source LED spotlight that is machined from aerospace grade aluminium 6063-T6 and comes as standard in white, black and brushed aluminium along with three premium brass finishes. It has four site-changeable optics for flexible beam distribution and is fully adjustable with lockable 360° pan and 180° tilt. The narrow beam in our 1.12W 102lm module has a peak intensity of 794cd. A snoot and accessory holder is available separately. The luminaire is compatible with our Minipoint system that enables a plug and play setup where luminaires can be swapped to suit changing lighting requirements.

MECHANICAL & ELECTRICAL

CATEGORY IP20	WATTAGE 1.12W
MATERIAL Machined AL 6063-T6 Machined Brass	FORWARD VOLTAGE 3.2V
PAN 360°	DRIVE CURRENT 350mA
TILT 180°	SUPPLY TYPE Constant Current
LOCKABLE Pan & Tilt	DRIVER LOCATION Remote
WEIGHT 18g 0.04lb	DIMMING DALI 0-10V 1-10V

MOUNTING

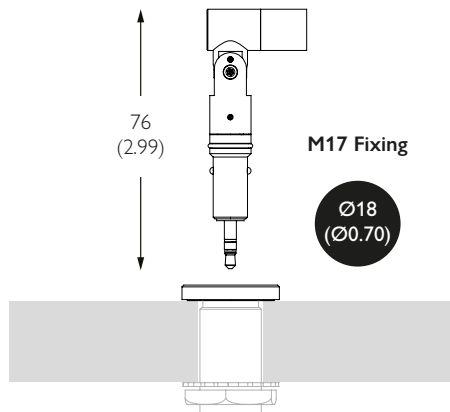
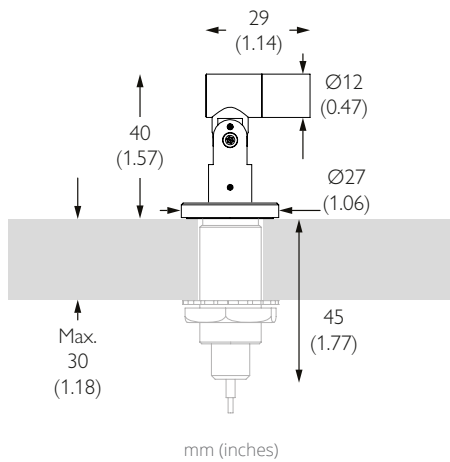
MOUNTING Minipoints	CUTOUT ø18mm (0.71") minipoint
CEILING THICKNESS 30mm (1.18") max	MIN CEILING VOID N/A

FINISHES

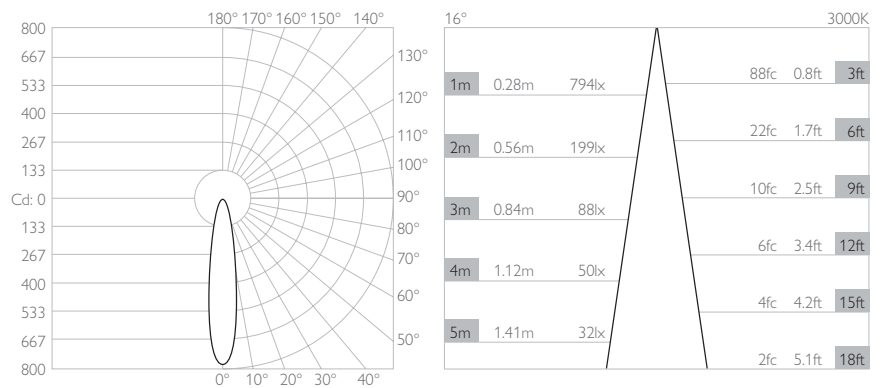
FINISHES Brushed Aluminium | White RAL9010 | Matte Black Anodised | Rubbed Bronze* | Polished Brass* | Brushed Brass*
*Premium & custom finishes are built & finished to order. These are subject to an extended lead time & MOQ.

OPTICAL & STANDARDS

NOMINAL LUMENS 102lm	BEAM ANGLE 16°
DELIVERED LUMENS 94lm	CRI 95 TYP
COLOUR TEMPERATURE 2700K 3000K	TM-30 RF: 93 RG: 99
ACCESSORY HOLDER N/A	WARRANTY 5 Years
ACCESSORIES Snoots	STANDARDS



Photometry shown is for 3000K module. Please enquire for other CCT photometry. L90 50,000 hours.



LUMINAIRE FINISH

	White 9010	Matt Anodised Black	Brushed Aluminium	Rubbed Bronze*	Polished Brass*	Brushed Brass*
Without Minipoint	772-WH-XX9516	772-EBA-XX9516	772-AL-XX9516	772-RB-XX9516	772-PB-XX9516	772-SB-XX9516
With Minipoint	M-A-772-WH-XX9516	M-A-772-EBA-XX9516	M-A-772-AL-XX9516	M-A-772-RB-XX9516	M-A-772-PB-XX9516	M-A-772-SB-XX9516

*All premium & custom finishes are built & finished to order. These are subject to an extended lead time & MOQ

For 3000K Substitute XX with 30

For 2700K Substitute XX with 27

MEDIUM



TECHNICAL DESCRIPTION

Atto T Jack is a Constant Current single source LED spotlight that is machined from aerospace grade aluminium 6063-T6 and comes as standard in white, black and brushed aluminium along with three premium brass finishes. It has four site-changeable optics for flexible beam distribution and is fully adjustable with lockable 360° pan and 180° tilt. The medium beam in our 1.12W 102lm module has a peak intensity of 359cd. A snoot and accessory holder is available separately. The luminaire is compatible with our Minipoint system that enables a plug and play setup where luminaires can be swapped to suit changing lighting requirements.

MECHANICAL & ELECTRICAL

CATEGORY IP20	WATTAGE 1.12W
MATERIAL Machined AL 6063-T6 Machined Brass	FORWARD VOLTAGE 3.2V
PAN 360°	DRIVE CURRENT 350mA
TILT 180°	SUPPLY TYPE Constant Current
LOCKABLE Pan & Tilt	DRIVER LOCATION Remote
WEIGHT 18g 0.04lb	DIMMING DALI 0-10V 1-10V

MOUNTING

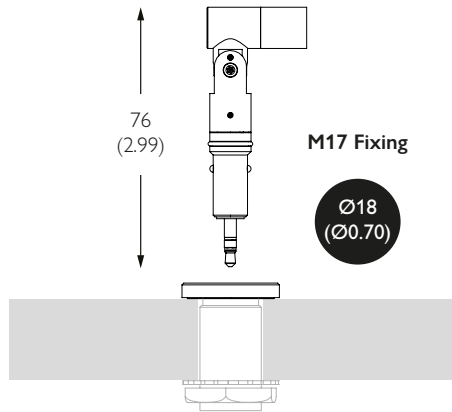
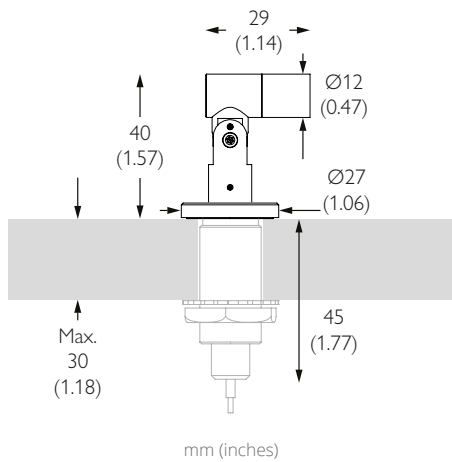
MOUNTING Minipoints	CUTOUT ø18mm (0.71") minipoint
CEILING THICKNESS 30mm (1.18") max	MIN CEILING VOID N/A

FINISHES

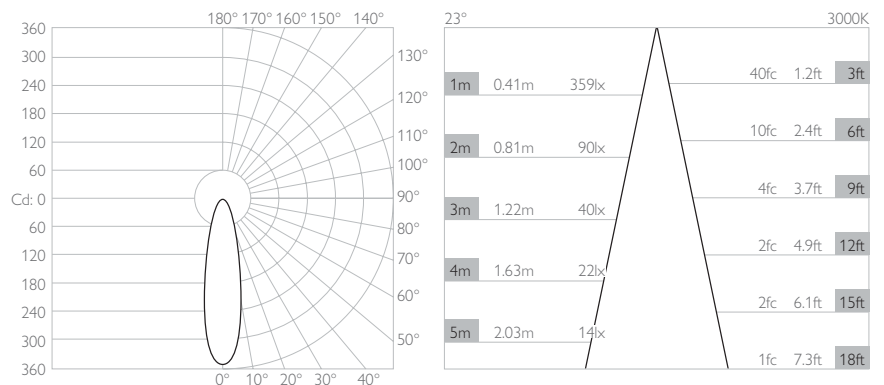
FINISHES Brushed Aluminium | White RAL9010 | Matte Black Anodised | Rubbed Bronze* | Polished Brass* | Brushed Brass*
*Premium & custom finishes are built & finished to order. These are subject to an extended lead time & MOQ.

OPTICAL & STANDARDS

NOMINAL LUMENS 102lm	BEAM ANGLE 23°
DELIVERED LUMENS 92lm	CRI 95 TYP
COLOUR TEMPERATURE 2700K 3000K	TM-30 RF: 93 RG: 99
ACCESSORY HOLDER N/A	WARRANTY 5 Years
ACCESSORIES Snoots	STANDARDS



Photometry shown is for 3000K module. Please enquire for other CCT photometry. L90 50,000 hours.



LUMINAIRE FINISH

	White 9010	Matt Anodised Black	Brushed Aluminium	Rubbed Bronze*	Polished Brass*	Brushed Brass*
Without Minipoint	772-WH-XX9523	772-EBA-XX9523	772-AL-XX9523	772-RB-XX9523	772-PB-XX9523	772-SB-XX9523
With Minipoint	M-A-772-WH-XX9523	M-A-772-EBA-XX9523	M-A-772-AL-XX9523	M-A-772-RB-XX9523	M-A-772-PB-XX9523	M-A-772-SB-XX9523

*All premium & custom finishes are built & finished to order. These are subject to an extended lead time & MOQ

For 3000K Substitute XX with 30

For 2700K Substitute XX with 27

ATTO T JACK

FLOOD



TECHNICAL DESCRIPTION

Atto T Jack is a Constant Current single source LED spotlight that is machined from aerospace grade aluminium 6063-T6 and comes as standard in white, black and brushed aluminium along with three premium brass finishes. It has four site-changeable optics for flexible beam distribution and is fully adjustable with lockable 360° pan and 180° tilt. The flood beam in our 1.12W 102lm module has a peak intensity of 109cd. A snoot and accessory holder is available separately. The luminaire is compatible with our Minipoint system that enables a plug and play setup where luminaires can be swapped to suit changing lighting requirements.

MECHANICAL & ELECTRICAL

CATEGORY IP20	WATTAGE 1.12W
MATERIAL Machined AL 6063-T6 Machined Brass	FORWARD VOLTAGE 3.2V
PAN 360°	DRIVE CURRENT 350mA
TILT 180°	SUPPLY TYPE Constant Current
LOCKABLE Pan & Tilt	DRIVER LOCATION Remote
WEIGHT 18g 0.04lb	DIMMING DALI 0-10V 1-10V

MOUNTING

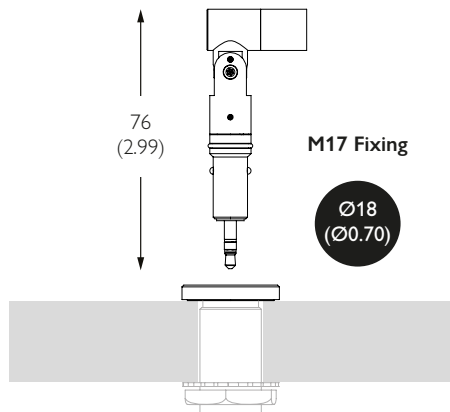
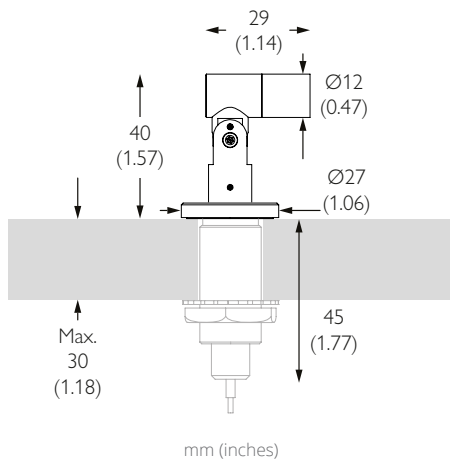
MOUNTING Minipoints	CUTOUT ø18mm (0.71") minipoint
CEILING THICKNESS 30mm (1.18") max	MIN CEILING VOID N/A

FINISHES

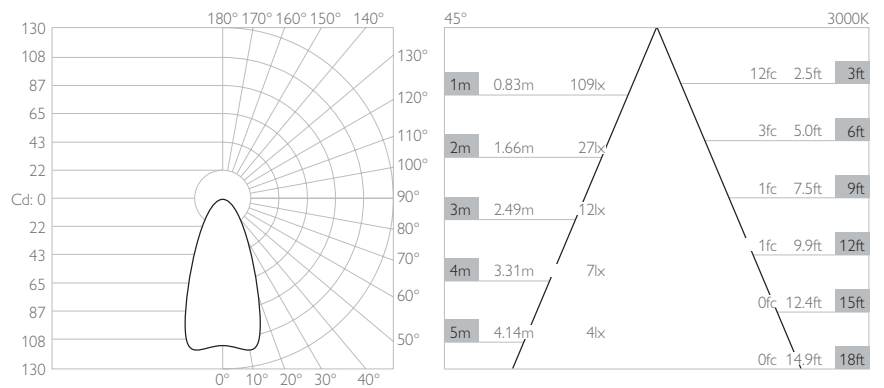
FINISHES Brushed Aluminium | White RAL9010 | Matte Black Anodised | Rubbed Bronze* | Polished Brass* | Brushed Brass*
*Premium & custom finishes are built & finished to order. These are subject to an extended lead time & MOQ.

OPTICAL & STANDARDS

NOMINAL LUMENS 102lm	BEAM ANGLE 45°
DELIVERED LUMENS 93lm	CRI 95 TYP
COLOUR TEMPERATURE 2700K 3000K	TM-30 RF: 93 RG: 99
ACCESSORY HOLDER N/A	WARRANTY 5 Years
ACCESSORIES Snoots	STANDARDS



Photometry shown is for 3000K module. Please enquire for other CCT photometry. L90 50,000 hours.



LUMINAIRE FINISH

	White 9010	Matt Anodised Black	Brushed Aluminium	Rubbed Bronze*	Polished Brass*	Brushed Brass*
Without Minipoint	772-WH-XX9545	772-EBA-XX9545	772-AL-XX9545	772-RB-XX9545	772-PB-XX9545	772-SB-XX9545
With Minipoint	M-A-772-WH-XX9545	M-A-772-EBA-XX9545	M-A-772-AL-XX9545	M-A-772-RB-XX9545	M-A-772-PB-XX9545	M-A-772-SB-XX9545

*All premium & custom finishes are built & finished to order. These are subject to an extended lead time & MOQ

For 3000K Substitute XX with 30

For 2700K Substitute XX with 27

ATTO T JACK

WIDE FLOOD



TECHNICAL DESCRIPTION

Atto T Jack is a Constant Current single source LED spotlight that is machined from aerospace grade aluminium 6063-T6 and comes as standard in white, black and brushed aluminium along with three premium brass finishes. It has four site-changeable optics for flexible beam distribution and is fully adjustable with lockable 360° pan and 180° tilt. The wide flood beam in our 1.12W 102lm module has a peak intensity of 26cd. A snoot and accessory holder is available separately. The luminaire is compatible with our Minipoint system that enables a plug and play setup where luminaires can be swapped to suit changing lighting requirements.

MECHANICAL & ELECTRICAL

CATEGORY IP20	WATTAGE 1.12W
MATERIAL Machined AL 6063-T6 Machined Brass	FORWARD VOLTAGE 3.2V
PAN 360°	DRIVE CURRENT 350mA
TILT 180°	SUPPLY TYPE Constant Current
LOCKABLE Pan & Tilt	DRIVER LOCATION Remote
WEIGHT 18g 0.04lb	DIMMING DALI 0-10V 1-10V

MOUNTING

MOUNTING Minipoints	CUTOUT ø18mm (0.71") minipoint
CEILING THICKNESS 30mm (1.18") max	MIN CEILING VOID N/A

FINISHES

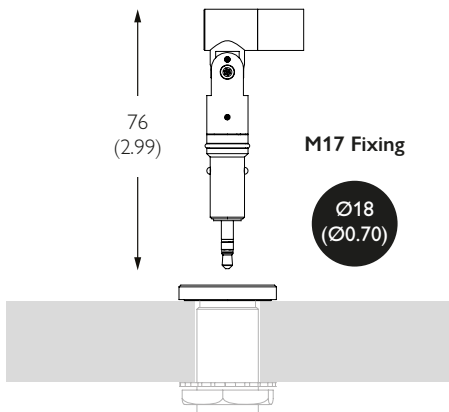
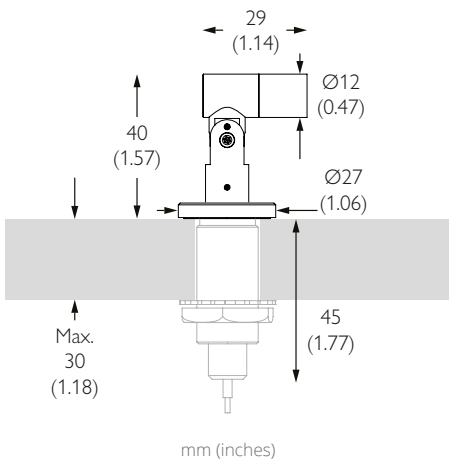
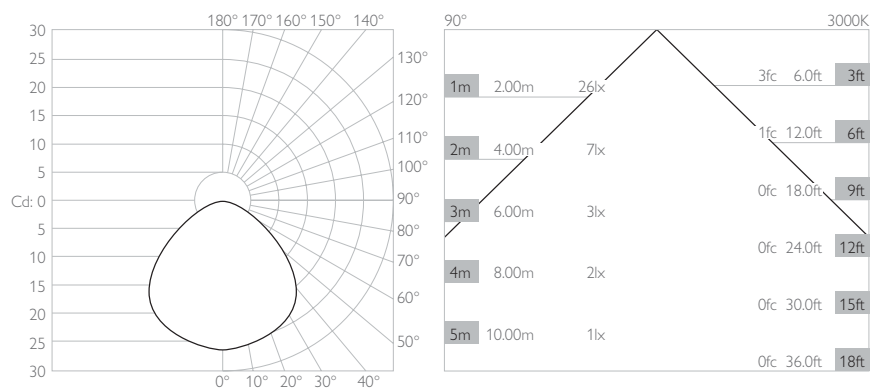
FINISHES Brushed Aluminium | White RAL9010 | Matte Black Anodised | Rubbed Bronze* | Polished Brass* | Brushed Brass*
*Premium & custom finishes are built & finished to order. These are subject to an extended lead time & MOQ.

OPTICAL & STANDARDS

NOMINAL LUMENS 102lm	BEAM ANGLE 90°
DELIVERED LUMENS 69lm	CRI 95 TYP
COLOUR TEMPERATURE 2700K 3000K	TM-30 RF: 93 RG: 99
ACCESSORY HOLDER N/A	WARRANTY 5 Years
ACCESSORIES Snoots	STANDARDS



Photometry shown is for 3000K module. Please enquire for other CCT photometry. L90 50,000 hours.



LUMINAIRE FINISH

	White 9010	Matt Anodised Black	Brushed Aluminium	Rubbed Bronze*	Polished Brass*	Brushed Brass*
Without Minipoint	772-WH-XX9590	772-EBA-XX9590	772-AL-XX9590	772-RB-XX9590	772-PB-XX9590	772-SB-XX9590
With Minipoint	M-A-772-WH-XX9590	M-A-772-EBA-XX9590	M-A-772-AL-XX9590	M-A-772-RB-XX9590	M-A-772-PB-XX9590	M-A-772-SB-XX9590

*All premium & custom finishes are built & finished to order. These are subject to an extended lead time & MOQ

For 3000K Substitute XX with 30

For 2700K Substitute XX with 27