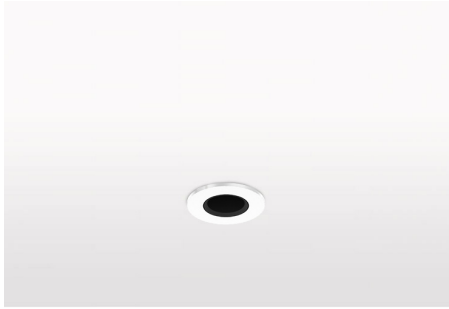


ATTO R

NARROW



TECHNICAL DESCRIPTION

Atto R is a Constant Current single source LED recessed spotlight that is machined from aerospace grade aluminium 6063-T6 and comes as standard in white, black and brushed aluminium. It has three site-changeable optics for flexible beam distribution. The narrow beam in our 1.12W 102lm module has a peak intensity of 794cd.

MECHANICAL & ELECTRICAL

CATEGORY IP20

MATERIAL Machined AL 6063-T6 | Machined Brass

PAN N/A

TILT N/A

LOCKABLE N/A

WEIGHT 14g | 0.03lb

WATTAGE 1.12W

FORWARD VOLTAGE 3.2V

DRIVE CURRENT 350mA

SUPPLY TYPE Constant Current

DRIVER LOCATION Remote

DIMMING DALI | 0-10V | 1-10V | Casambi

MOUNTING

MOUNTING Recessed

CEILING THICKNESS 3-29mm (0.12-1.14")

CUTOUT ø17mm (0.67")

MIN CEILING VOID 20mm (0.79") clearance above

FINISHES

FINISHES Brushed Aluminium | White RAL9010 | Matte Black Anodised | Rubbed Bronze* | Polished Brass* | Brushed Brass *

*Premium & custom finishes are built & finished to order. These are subject to an extended lead time & MOQ.

OPTICAL & STANDARDS

NOMINAL LUMENS 102lm

DELIVERED LUMENS 94lm

COLOUR TEMPERATURE 2700K | 3000K

ACCESSORY HOLDER N/A

ACCESSORIES N/A

TM65 6.19kgCO2e

TM66 2.4

BEAM ANGLE 16°

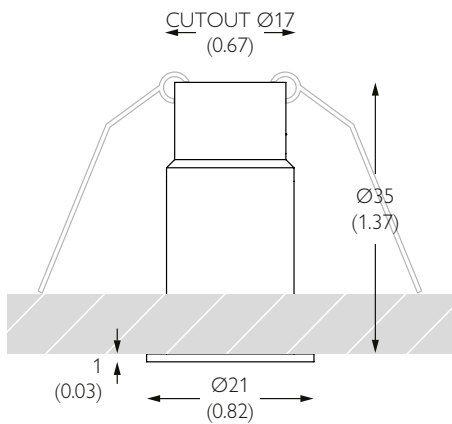
CRI 95 TYP

TM-30 RF: 93 RG: 99

WARRANTY 5 Years

LIFETIME L90B10 100,000hrs

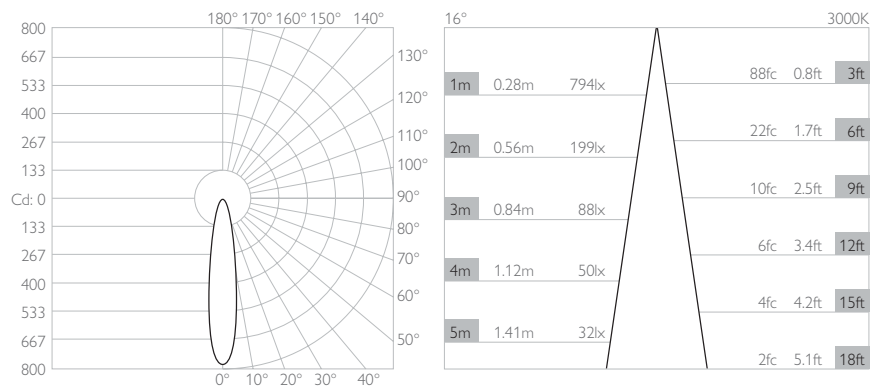
STANDARDS



mm (inches)

threaded stud B can be removed upon request

Photometry shown is for 3000K module. Please enquire for other CCT photometry.



FINISH

LED CCT

BEAM ANGLE

765

- WH White 9010
- EBA Black 9005
- AL Brushed Aluminium
- RB Rubbed Bronze*
- PB Polished Brass*
- SB Brushed Brass*

- 2795 2700K 95CRI
- 3095 3000K 95CRI

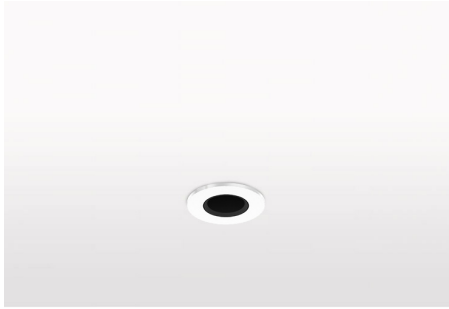
- 16 Narrow
- 23 Medium
- 45 Flood
- 90 Wide Flood

Example Code: 765-WH-309516

*Premium & custom finishes are built to order, subject to an extended lead time & MOQ

ATTO R

MEDIUM



TECHNICAL DESCRIPTION

Atto R is a Constant Current single source LED recessed spotlight that is machined from aerospace grade aluminium 6063-T6 and comes as standard in white, black and brushed aluminium. It has three site-changeable optics for flexible beam distribution. The medium beam in our 1.12W 102lm module has a peak intensity of 359cd.

MECHANICAL & ELECTRICAL

CATEGORY IP20

MATERIAL Machined AL 6063-T6 | Machined Brass

PAN N/A

TILT N/A

LOCKABLE N/A

WEIGHT 14g | 0.03lb

WATTAGE 1.12W

FORWARD VOLTAGE 3.2V

DRIVE CURRENT 350mA

SUPPLY TYPE Constant Current

DRIVER LOCATION Remote

DIMMING DALI | 0-10V | 1-10V | Casambi

MOUNTING

MOUNTING Recessed

CEILING THICKNESS 3-29mm (0.12-1.14")

CUTOUT ø17mm (0.67")

MIN CEILING VOID 20mm (0.79") clearance above

FINISHES

FINISHES Brushed Aluminium | White RAL9010 | Matte Black Anodised | Rubbed Bronze* | Polished Brass* | Brushed Brass*

*Premium & custom finishes are built & finished to order. These are subject to an extended lead time & MOQ.

OPTICAL & STANDARDS

NOMINAL LUMENS 102lm

DELIVERED LUMENS 92lm

COLOUR TEMPERATURE 2700K | 3000K

ACCESSORY HOLDER N/A

ACCESSORIES N/A

TM65 6.19kgCO2e

TM66 2.4

BEAM ANGLE 23°

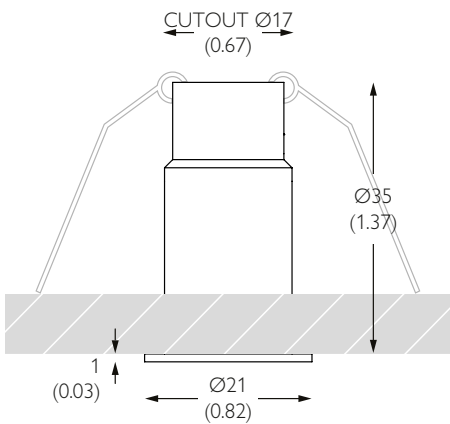
CRI 95 TYP

TM-30 RF: 93 RG: 99

WARRANTY 5 Years

LIFETIME L90B10 100,000hrs

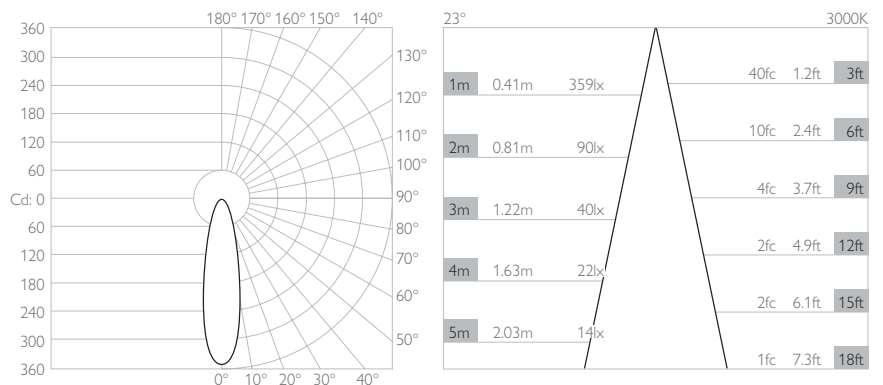
STANDARDS



mm (inches)

threaded stud B can be removed upon request

Photometry shown is for 3000K module. Please enquire for other CCT photometry.



FINISH

LED CCT

BEAM ANGLE

765

- WH White 9010
- EBA Black 9005
- AL Brushed Aluminium
- RB Rubbed Bronze*
- PB Polished Brass*
- SB Brushed Brass*

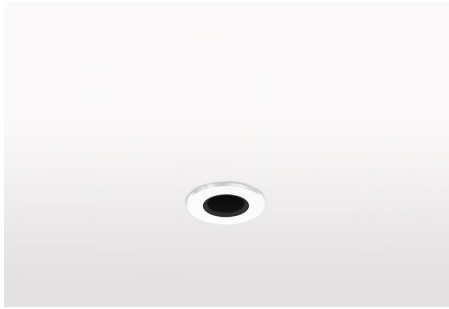
- 2795 2700K 95CRI
- 3095 3000K 95CRI
- 16 Narrow
- 23 Medium
- 45 Flood
- 90 Wide Flood

Example Code: 765-WH-309523

*Premium & custom finishes are built to order, subject to an extended lead time & MOQ

ATTO R

FLOOD



TECHNICAL DESCRIPTION

Atto R is a Constant Current single source LED recessed spotlight that is machined from aerospace grade aluminium 6063-T6 and comes as standard in white, black and brushed aluminium. It has three site-changeable optics for flexible beam distribution. The flood beam in our 1.12W 102lm module has a peak intensity of 109cd.

MECHANICAL & ELECTRICAL

CATEGORY IP20

MATERIAL Machined AL 6063-T6 | Machined Brass

PAN N/A

TILT N/A

LOCKABLE N/A

WEIGHT 14g | 0.03lb

WATTAGE 1.12W

FORWARD VOLTAGE 3.2V

DRIVE CURRENT 350mA

SUPPLY TYPE Constant Current

DRIVER LOCATION Remote

DIMMING DALI | 0-10V | 1-10V | Casambi

MOUNTING

MOUNTING Recessed

CEILING THICKNESS 3-29mm (0.12-1.14")

CUTOUT ø17mm (0.67")

MIN CEILING VOID 20mm (0.79") clearance above

FINISHES

FINISHES Brushed Aluminium | White RAL9010 | Matte Black Anodised | Rubbed Bronze* | Polished Brass* | Brushed Brass*

*Premium & custom finishes are built & finished to order. These are subject to an extended lead time & MOQ.

OPTICAL & STANDARDS

NOMINAL LUMENS 102lm

DELIVERED LUMENS 93lm

COLOUR TEMPERATURE 2700K | 3000K

ACCESSORY HOLDER N/A

ACCESSORIES N/A

TM65 6.19kgCO2e

TM66 2.4

BEAM ANGLE 45°

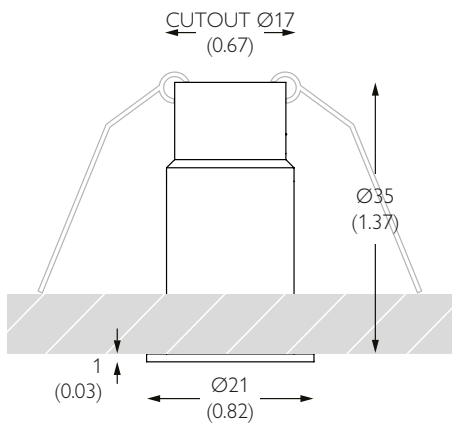
CRI 95 TYP

TM-30 RF: 93 RG: 99

WARRANTY 5 Years

LIFETIME L90B10 100,000hrs

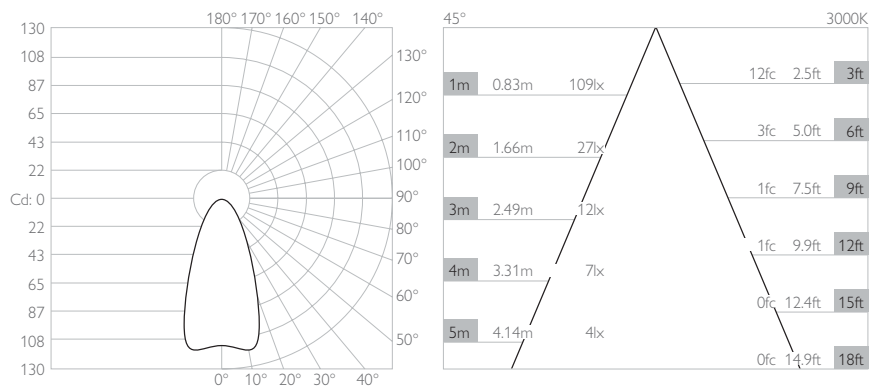
STANDARDS



mm (inches)

threaded stud B can be removed upon request

Photometry shown is for 3000K module. Please enquire for other CCT photometry.



FINISH

LED CCT

BEAM ANGLE

765

- WH White 9010
- EBA Black 9005
- AL Brushed Aluminium
- RB Rubbed Bronze*
- PB Polished Brass*
- SB Brushed Brass*

- 2795 2700K 95CRI
- 3095 3000K 95CRI

- 16 Narrow
- 23 Medium
- 45 Flood
- 90 Wide Flood

Example Code: 765-WH-309545

*Premium & custom finishes are built to order, subject to an extended lead time & MOQ

ATTO

DRIVER COMPATIBILITY

20W | DIMMING: DALI OR 0-10V

NO. OF LIGHTS PER DRIVER 1 to 12 in series
MIN DIM LEVEL 0.1%
VOLTAGE REGION 230V
FOR NORTH AMERICA No
WATTAGE 20W
SUPPLY TYPE Constant Current
DRIVER LOCATION Remote
MANUFACTURER Eldoled



DALI CODE PSCC-20-350-D-EL
0-10V CODE PSCC-20-350-A-EL

LENGTH 160mm (6.30") **WIDTH** 41mm (1.63") **HEIGHT** 30mm (1.18")



30W | DIMMING: DALI OR 0-10V

NO. OF LIGHTS PER DRIVER 1 to 16 in series
MIN DIM LEVEL 0.1%
VOLTAGE REGION 120V
FOR NORTH AMERICA Yes
WATTAGE 30W
SUPPLY TYPE Constant Current
DRIVER LOCATION Remote
MANUFACTURER Eldoled



DALI CODE USCC-30-350-D-EL-ENC
0-10V CODE USCC-30-350-A-EL-ENC

LENGTH 348mm (13.7") **WIDTH** 65mm (2.6") **HEIGHT** 47mm (1.9")



12W | DIMMING: PHASE

NO. OF LIGHTS PER DRIVER 3 to 10 in series
MIN DIM LEVEL 1%
VOLTAGE REGION 120V
FOR NORTH AMERICA Yes
WATTAGE 12W
SUPPLY TYPE Constant Current
DRIVER LOCATION Remote
MANUFACTURER Hatch



PHASE CODE USCC-12-350-P-HT-ENC

LENGTH 247mm (9.7") **WIDTH** 65mm (2.6") **HEIGHT** 47mm (1.9")

