

ATTO EYE

NARROW



TECHNICAL DESCRIPTION

Atto Eye is a Constant Current single source LED recessed spotlight that is machined from aerospace grade aluminium 6063-T6 and comes as standard in white, black and brushed aluminium. It has four site-changeable optics for flexible beam distribution and is fully adjustable with 360° pan and 30° tilt. The narrow beam in our 1.12W 102lm module has a peak intensity of 794cd.

MECHANICAL & ELECTRICAL

**CATEGORY** IP20

**MATERIAL** Machined AL 6063-T6 | Machined Brass

**PAN** 360°

**TILT** 30°

**LOCKABLE** N/A

**WEIGHT** 21g | 0.05lb

**WATTAGE** 1.12W

**FORWARD VOLTAGE** 3.2V

**DRIVE CURRENT** 350mA

**SUPPLY TYPE** Constant Current

**DRIVER LOCATION** Remote

**DIMMING** DALI | 0-10V | 1-10V | Casambi

MOUNTING

**MOUNTING** Recessed

**CEILING THICKNESS** 3-17mm (0.12-0.67")

**CUTOUT** ø27mm (1.06")

**MIN CEILING VOID** 20mm (0.79") clearance above

FINISHES

**FINISHES** Brushed Aluminium | White RAL9010 | Matte Black Anodised | Rubbed Bronze\* | Polished Brass\* | Brushed Brass\*

\*Premium & custom finishes are built & finished to order. These are subject to an extended lead time & MOQ.

OPTICAL & STANDARDS

**NOMINAL LUMENS** 102lm

**DELIVERED LUMENS** 94lm

**COLOUR TEMPERATURE** 2700K | 3000K

**ACCESSORY HOLDER** N/A

**ACCESSORIES** N/A

**TM65** 6.39kgCO2e

**TM66** 2.4

**BEAM ANGLE** 16°

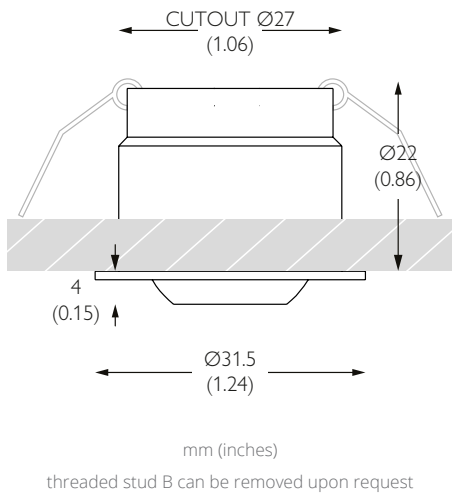
**CRI** 95 TYP

**TM-30** RF: 93 RG: 99

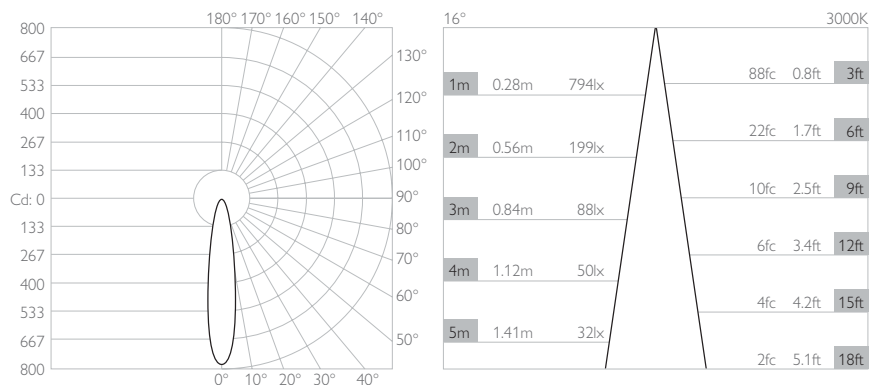
**WARRANTY** 5 Years

**LIFETIME** L90B10 100,000hrs

**STANDARDS**



Photometry shown is for 3000K module. Please enquire for other CCT photometry.



FINISH	LED CCT	BEAM ANGLE
764	2795 2700K 95CRI 3095 3000K 95CRI	16 Narrow 23 Medium 45 Flood 90 Wide Flood
<ul style="list-style-type: none"> <li>WH White 9010</li> <li>EBA Black 9005</li> <li>AL Brushed Aluminium</li> <li>RB Rubbed Bronze*</li> <li>PB Polished Brass*</li> <li>SB Brushed Brass*</li> </ul>		

Example Code: 764-WH-309516

\*Premium & custom finishes are built to order, subject to an extended lead time & MOQ

ATTO EYE

MEDIUM



TECHNICAL DESCRIPTION

Atto Eye is a Constant Current single source LED recessed spotlight that is machined from aerospace grade aluminium 6063-T6 and comes as standard in white, black and brushed aluminium. It has four site-changeable optics for flexible beam distribution and is fully adjustable with 360° pan and 30° tilt. The medium beam in our 1.12W 102lm module has a peak intensity of 359cd.

MECHANICAL & ELECTRICAL

**CATEGORY** IP20

**MATERIAL** Machined AL 6063-T6 | Machined Brass

**PAN** 360°

**TILT** 30°

**LOCKABLE** N/A

**WEIGHT** 21g | 0.05lb

**WATTAGE** 1.12W

**FORWARD VOLTAGE** 3.2V

**DRIVE CURRENT** 350mA

**SUPPLY TYPE** Constant Current

**DRIVER LOCATION** Remote

**DIMMING** DALI | 0-10V | 1-10V | Casambi

MOUNTING

**MOUNTING** Recessed

**CEILING THICKNESS** 3-17mm (0.12-0.67")

**CUTOUT** ø27mm (1.06")

**MIN CEILING VOID** 20mm (0.79") clearance above

FINISHES

**FINISHES** Brushed Aluminium | White RAL9010 | Matte Black Anodised | Rubbed Bronze\* | Polished Brass\* | Brushed Brass\*

\*Premium & custom finishes are built & finished to order. These are subject to an extended lead time & MOQ.

OPTICAL & STANDARDS

**NOMINAL LUMENS** 102lm

**DELIVERED LUMENS** 92lm

**COLOUR TEMPERATURE** 2700K | 3000K

**ACCESSORY HOLDER** N/A

**ACCESSORIES** N/A

**TM65** 6.39kgCO2e

**TM66** 2.4

**BEAM ANGLE** 23°

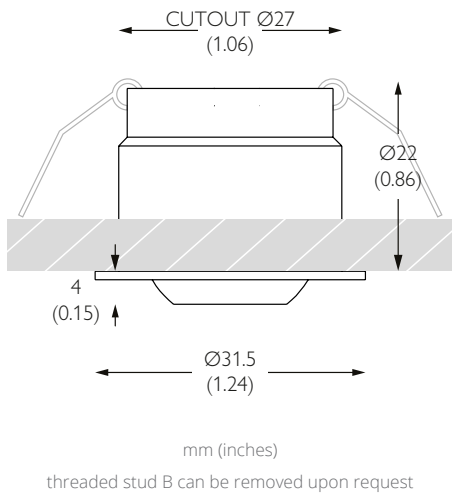
**CRI** 95 TYP

**TM-30** RF: 93 RG: 99

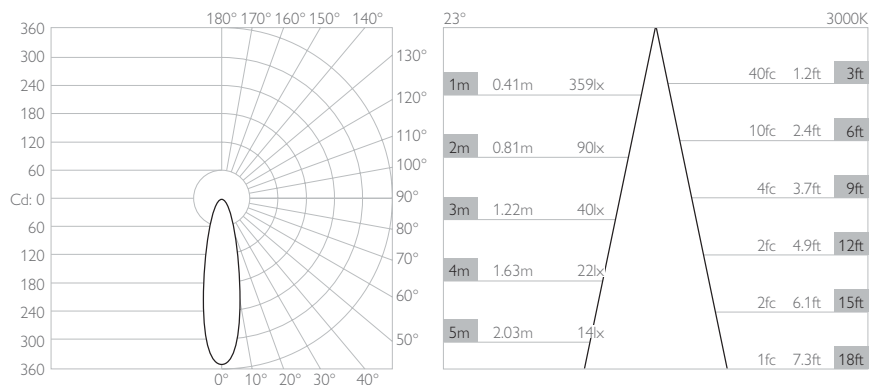
**WARRANTY** 5 Years

**LIFETIME** L90B10 100,000hrs

**STANDARDS**



Photometry shown is for 3000K module. Please enquire for other CCT photometry.



FINISH	LED CCT	BEAM ANGLE
764	2795 2700K 95CRI 3095 3000K 95CRI	16 Narrow 23 Medium 45 Flood 90 Wide Flood
WH White 9010		
EBA Black 9005		
AL Brushed Aluminium		
RB Rubbed Bronze*		
PB Polished Brass*		
SB Brushed Brass*		

Example Code: 764-WH-309523

\*Premium & custom finishes are built to order, subject to an extended lead time & MOQ



**TECHNICAL DESCRIPTION**

Atto Eye is a Constant Current single source LED recessed spotlight that is machined from aerospace grade aluminium 6063-T6 and comes as standard in white, black and brushed aluminium. It has four site-changeable optics for flexible beam distribution and is fully adjustable with 360° pan and 30° tilt. The flood beam in our 1.12W 102lm module has a peak intensity of 109cd.

**MECHANICAL & ELECTRICAL**

**CATEGORY** IP20

**MATERIAL** Machined AL 6063-T6 | Machined Brass

**PAN** 360°

**TILT** 30°

**LOCKABLE** N/A

**WEIGHT** 21g | 0.05lb

**WATTAGE** 1.12W

**FORWARD VOLTAGE** 3.2V

**DRIVE CURRENT** 350mA

**SUPPLY TYPE** Constant Current

**DRIVER LOCATION** Remote

**DIMMING** DALI | 0-10V | 1-10V | Casambi

**MOUNTING**

**MOUNTING** Recessed

**CEILING THICKNESS** 3-17mm (0.12-0.67")

**CUTOUT** ø27mm (1.06")

**MIN CEILING VOID** 20mm (0.79") clearance above

**FINISHES**

**FINISHES** Brushed Aluminium | White RAL9010 | Matte Black Anodised | Rubbed Bronze\* | Polished Brass\* | Brushed Brass\*

\*Premium & custom finishes are built & finished to order. These are subject to an extended lead time & MOQ.

**OPTICAL & STANDARDS**

**NOMINAL LUMENS** 102lm

**DELIVERED LUMENS** 93lm

**COLOUR TEMPERATURE** 2700K | 3000K

**ACCESSORY HOLDER** N/A

**ACCESSORIES** N/A

**TM65** 6.39kgCO2e

**TM66** 2.4

**BEAM ANGLE** 45°

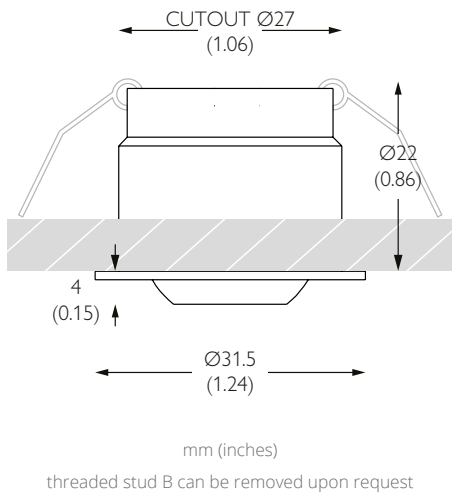
**CRI** 95 TYP

**TM-30** RF: 93 RG: 99

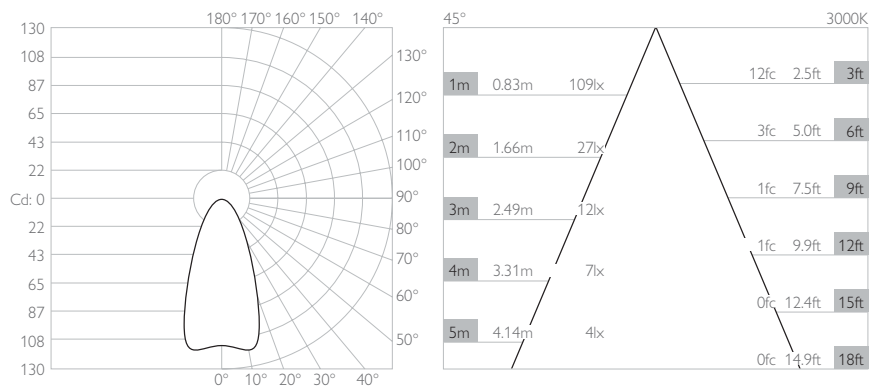
**WARRANTY** 5 Years

**LIFETIME** L90B10 100,000hrs

**STANDARDS**



Photometry shown is for 3000K module. Please enquire for other CCT photometry.



FINISH	LED CCT	BEAM ANGLE
764	2795 2700K 95CRI 3095 3000K 95CRI	16 Narrow 23 Medium 45 Flood 90 Wide Flood
WH White 9010 EBA Black 9005 AL Brushed Aluminium RB Rubbed Bronze* PB Polished Brass* SB Brushed Brass*		

Example Code: 764-WH-309545

\*Premium & custom finishes are built to order, subject to an extended lead time & MOQ

# ATTO EYE

## WIDE FLOOD



### TECHNICAL DESCRIPTION

Atto Eye is a Constant Current single source LED recessed spotlight that is machined from aerospace grade aluminium 6063-T6 and comes as standard in white, black and brushed aluminium. It has four site-changeable optics for flexible beam distribution and is fully adjustable with 360° pan and 30° tilt. The wide flood beam in our 1.12W 102lm module has a peak intensity of 26cd.

### MECHANICAL & ELECTRICAL

**CATEGORY** IP20

**MATERIAL** Machined AL 6063-T6 | Machined Brass

**PAN** 360°

**TILT** 30°

**LOCKABLE** N/A

**WEIGHT** 21g | 0.05lb

**WATTAGE** 1.12W

**FORWARD VOLTAGE** 3.2V

**DRIVE CURRENT** 350mA

**SUPPLY TYPE** Constant Current

**DRIVER LOCATION** Remote

**DIMMING** DALI | 0-10V | 1-10V | Casambi

### MOUNTING

**MOUNTING** Recessed

**CEILING THICKNESS** 3-17mm (0.12-0.67")

**CUTOUT** ø27mm (1.06")

**MIN CEILING VOID** 20mm (0.79") clearance above

### FINISHES

**FINISHES** Brushed Aluminium | White RAL9010 | Matte Black Anodised | Rubbed Bronze\* | Polished Brass\* | Brushed Brass\*

\*Premium & custom finishes are built & finished to order. These are subject to an extended lead time & MOQ.

### OPTICAL & STANDARDS

**NOMINAL LUMENS** 102lm

**DELIVERED LUMENS** 69lm

**COLOUR TEMPERATURE** 2700K | 3000K

**ACCESSORY HOLDER** N/A

**ACCESSORIES** N/A

**TM65** 6.39kgCO2e

**TM66** 2.4

**BEAM ANGLE** 90°

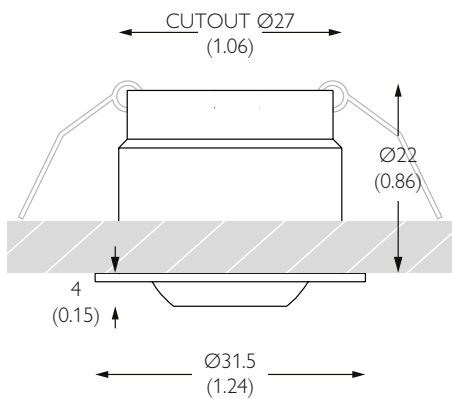
**CRI** 95 TYP

**TM-30** RF: 93 RG: 99

**WARRANTY** 5 Years

**LIFETIME** L90B10 100,000hrs

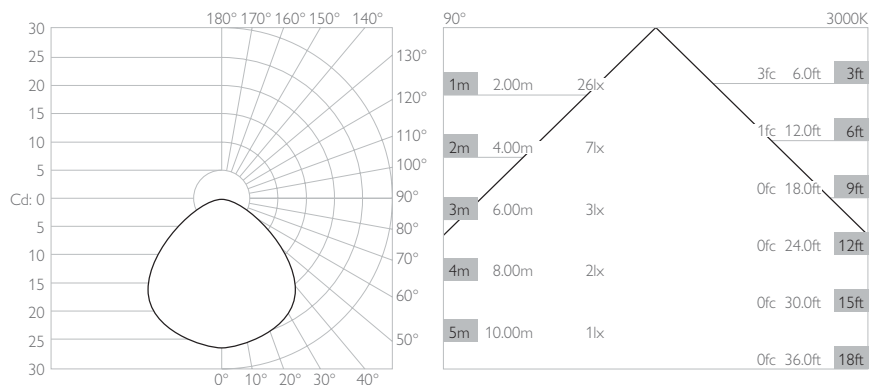
**STANDARDS**



mm (inches)

threaded stud B can be removed upon request

Photometry shown is for 3000K module. Please enquire for other CCT photometry.



### FINISH

### LED CCT

### BEAM ANGLE

764

- WH White 9010
- EBA Black 9005
- AL Brushed Aluminium
- RB Rubbed Bronze\*
- PB Polished Brass\*
- SB Brushed Brass\*

- |                  |               |
|------------------|---------------|
| 2795 2700K 95CRI | 16 Narrow     |
| 3095 3000K 95CRI | 23 Medium     |
|                  | 45 Flood      |
|                  | 90 Wide Flood |

Example Code: 764-WH-309590

\*Premium & custom finishes are built to order, subject to an extended lead time & MOQ

# ATTO

## DRIVER COMPATIBILITY

### 20W | DIMMING: DALI OR 0-10V

**NO. OF LIGHTS PER DRIVER** 1 to 12 in series  
**MIN DIM LEVEL** 0.1%  
**VOLTAGE REGION** 230V  
**FOR NORTH AMERICA** No  
**WATTAGE** 20W  
**SUPPLY TYPE** Constant Current  
**DRIVER LOCATION** Remote  
**MANUFACTURER** Eldoled



**DALI** CODE PSCC-20-350-D-EL  
**0-10V** CODE PSCC-20-350-A-EL

**LENGTH** 160mm (6.30") **WIDTH** 41mm (1.63") **HEIGHT** 30mm (1.18")



### 30W | DIMMING: DALI OR 0-10V

**NO. OF LIGHTS PER DRIVER** 1 to 16 in series  
**MIN DIM LEVEL** 0.1%  
**VOLTAGE REGION** 120V  
**FOR NORTH AMERICA** Yes  
**WATTAGE** 30W  
**SUPPLY TYPE** Constant Current  
**DRIVER LOCATION** Remote  
**MANUFACTURER** Eldoled



**DALI** CODE USCC-30-350-D-EL-ENC  
**0-10V** CODE USCC-30-350-A-EL-ENC

**LENGTH** 348mm (13.7") **WIDTH** 65mm (2.6") **HEIGHT** 47mm (1.9")



### 12W | DIMMING: PHASE

**NO. OF LIGHTS PER DRIVER** 3 to 10 in series  
**MIN DIM LEVEL** 1%  
**VOLTAGE REGION** 120V  
**FOR NORTH AMERICA** Yes  
**WATTAGE** 12W  
**SUPPLY TYPE** Constant Current  
**DRIVER LOCATION** Remote  
**MANUFACTURER** Hatch



**PHASE** CODE USCC-12-350-P-HT-ENC

**LENGTH** 247mm (9.7") **WIDTH** 65mm (2.6") **HEIGHT** 47mm (1.9")

