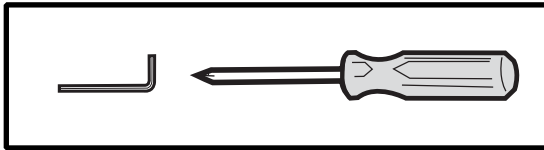


TOOLS REQUIRED



INSTRUCTIONS

Before using this product, please read the following instructions carefully and keep this pamphlet for future reference.

ABOUT THE PRODUCT:

This heated towel warmer is designed for drying/warming towels or clothes, it has a surface stabilized temperature of 122-131°F, and it is used in household bathrooms and kitchens, as well as in hotels and restaurants or other public areas. This appliance uses a voltage of 120 VAC, and is manufactured according to cULus standards.

SAFETY PRECAUTIONS:

1. The towel warmer must be used with a Ground Fault Circuit Interceptor (GFCI) circuit.
2. This product is supplied with a three-prong plug or three-wire cable.
To avoid unnecessary risk or danger, this product must be properly grounded.
3. Any repairs must be done by a qualified technician who is deemed qualified by industry standards. When any external wire fittings are required, the unit must be disconnected from the circuit.

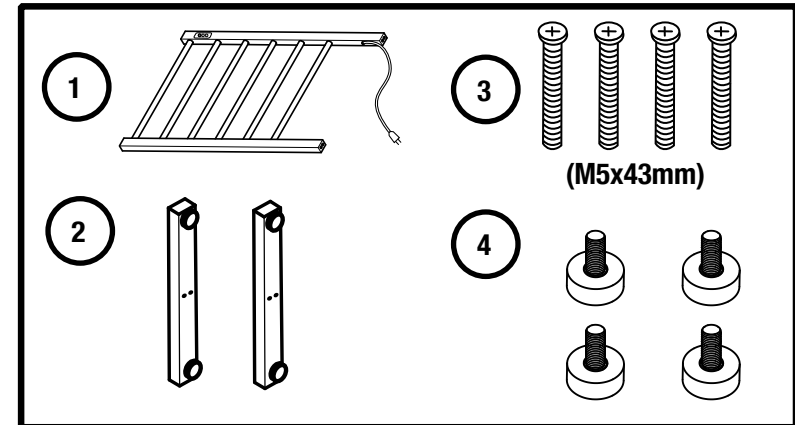
WARNING:

1. Only use for drying textiles which have been dampened by water.
2. If heating wire is damaged, the whole product should be replaced.

NOTE:

1. In the event of any difference in technical specifications, please refer to the actual product.
2. Please wipe the towel rail with a soft, dry cloth when cleaning it.
Do not use scrubbers or abrasive cleaners.

ACCESSORIES



Installation Fittings:

1. **Main towel warmer** - assembly with plug-in cord (1 piece)
2. **Mounting platforms** - AK15-59120-0001, polished, 14" x 1" x 1.5", with levelers (2 pieces)
AK15-59180-0000 Black, 14" x 1" x 1.5", with levelers (2 pieces)
3. **Screws** - 0015-59220-0006, mounting, phillips, round, M5 x 43mm (4 pieces)
4. **Levelers** - 0015-59890-0004, polished, platform, M6 x 15mm (4 pieces)
AK15-59880-0005, black, platform, M6 x 15mm (4 pieces)

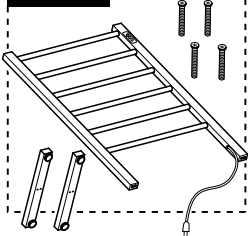
This product must be installed in accordance with the instructions in the manual and the NEC and CEC guidelines relating to electrical fixtures in bathrooms. **The Towel Warmer must be on a GFCI protected circuit and be wired by a professional who is certified to do electrical wiring.**

In order to reduce electrical shock, this towel warmer should be installed on a 15A GFCI protected branch circuit (14AWG).

INSTALLATION: (WARNING: The electrical connection should avoid all water.)

ASSEMBLY/OPERATION:

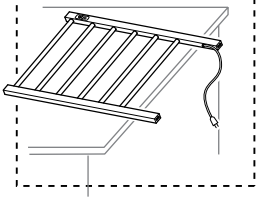
STEP 1



STEP 1: Verify that you have all of the necessary components:

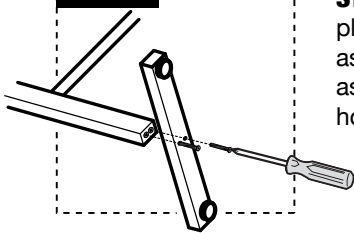
- Main towel warmer assembly with plug-in cord (1 piece)
- Mounting platforms with feet (2 pieces)
- Long screws (4 pieces).

STEP 2



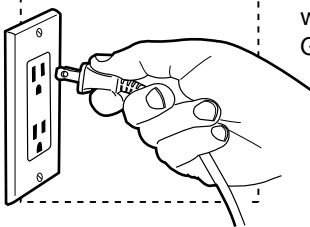
STEP 2: Set up materials in a convenient work area. It may be easier to attach the mounting platforms in Step 3 if the bottom of the main towel warmer assembly slightly overhangs something like a workbench.

STEP 3



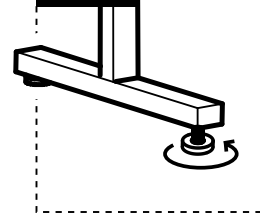
STEP 3: Use a screwdriver to attach the mounting platforms to the bottom of the main towel warmer assembly. The bottom of the main towel warmer assembly will have screw holes that match the holes in the mounting platforms.

STEP 4



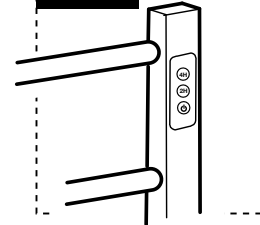
STEP 4: Once fully assembled, plug the towel warmer into a compatible, 120 VAC, GFCI-protected outlet.

STEP 5

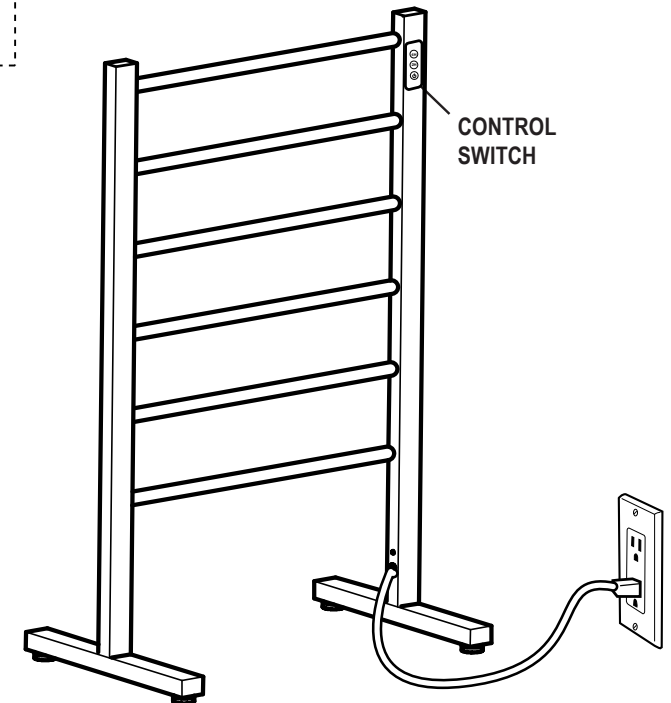


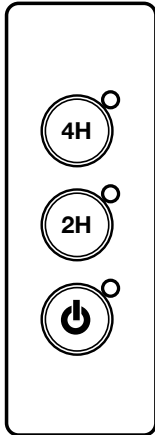
STEP 5: Turn levelers clockwise or counter-clockwise to level the towel warmer.

STEP 6



STEP 6: Use the control switch to operate the towel warmer according to your preference. See "Control Switch Instructions" for more information.





CONTROL SWITCH INSTRUCTIONS:

There are 3 options for controlling this towel warmer: on/off via the "⏻" button, on for 2 hours via the "2H" button, and on for 4 hours via the "4H" button. Each of these 3 buttons comes with a green LED indicator light.

"⏻" Button:

This button is the on/off switch which allows you to turn the model on and off manually. When engaged, the green indicator light will be on and the towel warmer will heat up to a constant temperature of 122 - 131°F (50-55°C).

Pressing the button again will turn the unit off and the indicator light will go off .

Note: This button must be turned on first to use either of the timer functions ("2H" or "4H").

"2H" Button:

This option will allow the towel warmer to be on at a constant temperature of 122 - 131°F (50-55°C) for 2 continuous hours (time can vary by 30 seconds) before shutting off. While engaged, the indicator light will be on.

To use this option, first press the "⏻" button, followed by the "2H" button.

"4H" Button:

This option will allow the towel warmer to be on at a constant temperature of 122 - 131°F (50-55°C) for 4 continuous hours (time can vary by 30 seconds) before shutting off. While engaged, the indicator light will be on.

To use this option, first press the "⏻" button, followed by the "4H" button.

Important:

- The input voltage for this product is the same as the output voltage.
- Upon initially being powered on, all 3 green indicator lights will remain lit for approximately 1 second.
- If the unit is in use and suddenly loses power (due to a momentary power outage or the plug becoming disconnected), make sure that the unit is properly connected and then follow the normal procedure for restarting (beginning with the "⏻" button).
- The towel warmer has built-in overheating protection, which will shut the unit off automatically if it reaches 185°F (85°C). This will be signaled by all 3 indicator lights flashing 5 times before turning off. Once the unit is cool to the touch, you can turn it back on. If the problem persists, please call WarmlyYours Technical Support at (800) 875-5285.

Important Notice for Québec Consumers: WarmlyYours does not provide repair services for this product. We offer replacement hardware kits (mounting brackets, screws, installation accessories) and on/off switches, but the heating element (main heating component) is not available as a replacement part. If your towel warmer fails within the warranty period, we will replace the entire unit according to our warranty policy. Our technical support team is available 24/7 by phone for installation and troubleshooting assistance. For full details, see our Return Policy. This notice is provided in accordance with Québec's Consumer Protection Act, section 39 (as amended in 2025).